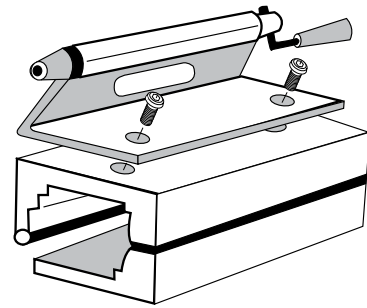


### Assembly Instructions for Pick-up Rack:

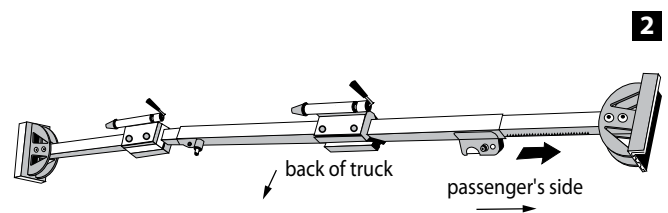
1. Attach the universal Bike Mount to the Fork Mount Block using the 5mm Allen bolts. The Fork Mount Blocks are already attached to the main tube. Tighten the bolts securely. (Figure 1)
2. These Fork Mounts can be moved to a different location by loosening the two 4mm Allen bolts, repositioning the block and retightening the bolts.



**1**

### Installation:

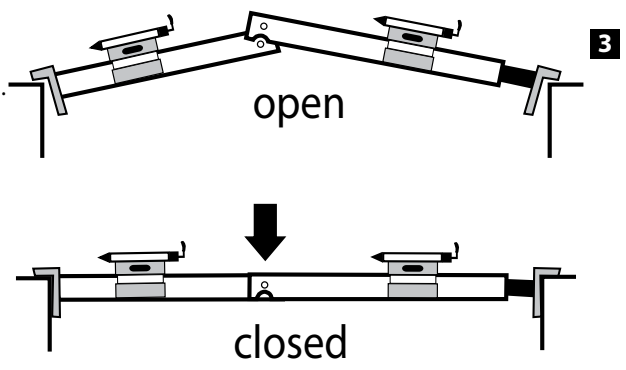
1. Hold the rack by the main tube with the spring lever pointed downward and to the rear of the pickup truck. (Figure 2)
2. Push the spring pin to open the rack and pivot it downward. (Figure 3)
3. Place the end pad against the driver's side bedrail.
4. With the rack in the open position slide the adjusting tube out so the end pad makes contact with the passenger side bedrail.
5. Make sure both end pads are against the bedrail and push down the main center tube. **NOTE:** Keep your fingers away from the pivot point so you don't get them pinched.
6. Pull the rack back and forth to insure that the pads do not slip.
7. Press the lock pin to secure the rack to the vehicle.



**2**

### Special mounting instructions if you have a bed liner:

1. The material used for bed liners is quite slippery and the end pads do not grip properly.
2. Install one pin into the end pads as shown. (Figure 4)
3. You will need to drill (9/32 drillbit) hole in the bed liner at the position of this pin. Each hole should be equal distance from the front of the vehicle.
4. Repeat the procedure above (pushing down on the main center tube) insuring that the pin goes into the previously drill holes in the bed liner.



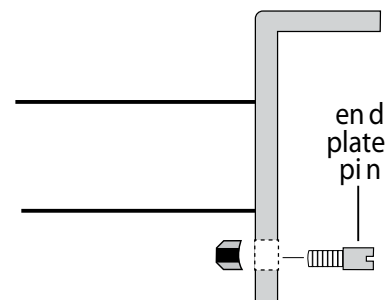
**3**

### Installing the bikes:

1. Remove the front wheel from the bike. Insert the fork blade into the bike mount bracket. With the QR lever in the open position, hand tighten the nut on the opposite side of the lever.
2. Then close the QR lever so that the fork is tight in the bike support bracket. Move the bike back and forth to insure that the fork is tight in the bracket.

### ⚠ Important Notes:

1. Always keep the tailgate on the pickup closed when hauling bicycles
2. You should remove large objects from the bicycle like child seats, panniers, or bike covers to reduce wind resistance
3. Check periodically that the rack and bikes are securely attached.



**4**