

INSTRUCTIONS:

1. The Trailhead rack requires 2 bolts for assembly.
2. Remove the bolt that is holding the tow bar during shipping (fig. A).
3. Line up the towing bar as shown in fig. B and insert the two bolts, washers and nuts as shown in fig. C. Tighten the bolts to 45 ft. lbs. of torque.
4. Insert the rack into your receiver style hitch.
5. Secure the rack with the threaded hitch pin and clip (diagram 1). Tighten to 40/ft. lbs.
6. Grab the top of the rack and move back and forth. The rack should not move on the hitch.

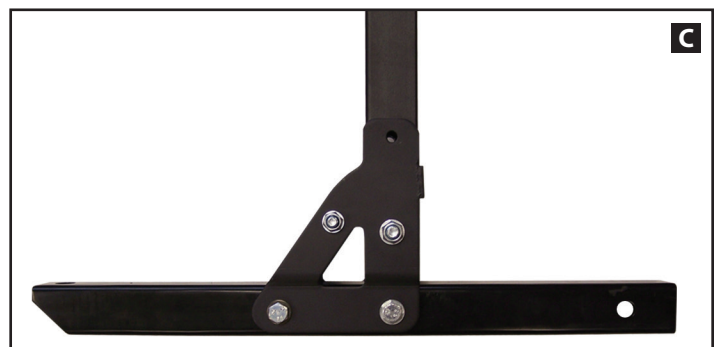
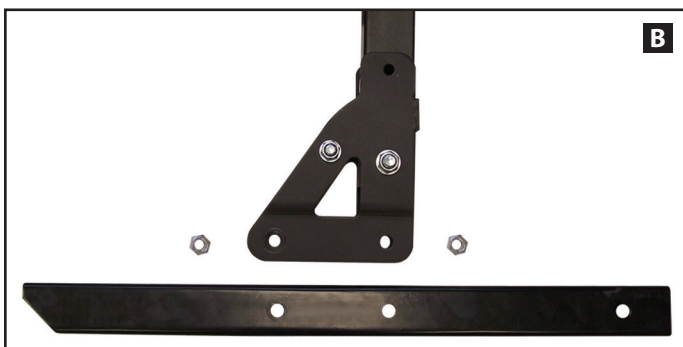
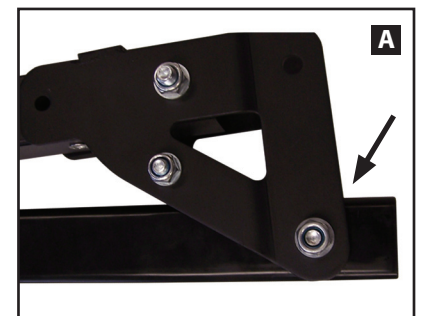
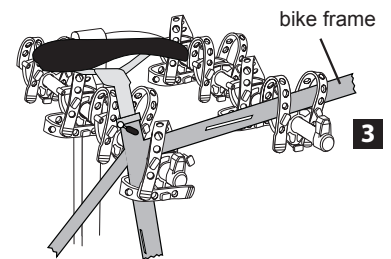
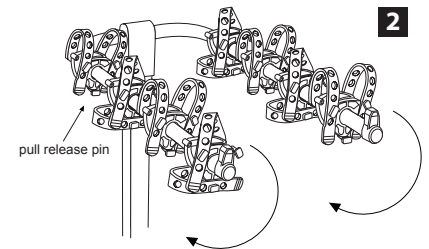
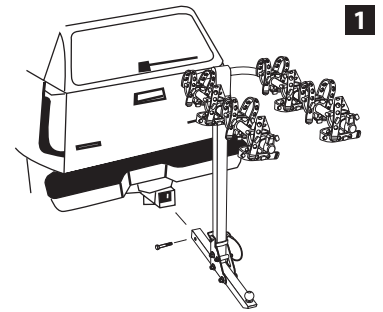
NOTE: The tow ball should be a 3000 lb. ball with a 3/4" shaft. It should be tightened to 75 ft. lbs.

INSTRUCTIONS FOR FOLDING THE RACK:

1. Remove all the [bikes](#) and other equipment from the rack.
2. Remove pin at head of rack and gently lower the arms of the rack (diagram 2).
3. Replace pin at head of rack to secure arms in the down position.
4. To restore the rack to the upright position, reverse the procedure.
5. Check periodically to insure that you have a solid fit between the rack and the mounting location.
6. To fold down the entire rack for access to the rear of your vehicle first remove the pin at base of the rack while holding the stem of the rack. Loosen the anti-wobble knob.
7. Gently lower the rack away from the vehicle until it rests on the lower pin in the base.
8. To restore the rack to the upright position simply reverse the procedure.
9. After pin is inserted install the knob and tighten to prevent movement.

LOADING INSTRUCTIONS:

1. The rack comes folded in the box. To fold the bike support arms up simply pull the pin all the way out of the rack. Raise the arms of the rack until they are at 90° to the rack and then replace the pin which will hold the arms in place (diagram 2).
2. The bikes are loaded on to the rack alternating the direction of each bike.
3. Position one of the anti-sway cradles close to the seat tube.
4. Secure the bikes by pulling the strap over the top tube of the bike frame (diagram 3).
5. The second strap is to go around the seat tube. This will help prevent the bikes from swaying.
On the apposite cradle pull both straps over the top tube.
6. You should check the straps periodically and after stopping to insure they are still tight and that someone has not released them. Failure to do so will void warranty.



IMPORTANT NOTES:

- This bicycle rack (depending on the model) has been designed to carry 1, 2, 3 or 4 bikes, as long as the maximum weight on the rack does not exceed 45 kgs or 100 lb.
- This rack is designed for typical use and applications (on paved or smooth gravel roads). Do not use this rack on a vehicle that will be driven on rough roads or where the rack (and bikes) will be subjected to significant or constant jarring and/or shock, or any vehicle with very stiff springs that will transfer the load shocks directly to the rack and the bikes.
- Proper fitting and installation of this carrier to your specific vehicle is critical, and is the owner's sole responsibility.
- Improper use of this product may result in damage to your rack, your vehicle, your bicycles, or even other vehicles driving behind you (as a result of colliding with or trying to avoid fallen bicycles and/or the rack).
- The purchaser should be aware that the load created by a rack and bicycles can exceed the maximum rating on the hitch or bumper.
- Swagman racks are powder coated to help prevent rust. As with any metal equipment it is recommended that you keep the rack clean and remove road salt and debris.
- When leaving them outside for extended periods of time the finish will lose its luster. It is recommended that when not in use the rack is stored indoors.
- The rack won't carry bikes with oblong frame tubes or unusually large frame sizes.
- Take care to add padding on any area of the bikes that touches another bike or any part of the vehicle. Damage can and will happen (to your bikes and/or to the vehicle) if care is not taken during the loading and transporting of your bikes, and padding used where necessary.
- Bicycle tires should be kept at least 6" away from the exhaust pipes of the vehicle. The high temperature exhaust exiting from the exhaust pipes is hot enough to melt or damage tires. Keep all bike tires totally away from the direct exhaust flow.
- Bikes fitted with large accessories (such as child carrying seat) will greatly increase the wind resistance and therefore the pressure on the rack and all vehicle-mounting points. Reducing vehicle speed will reduce the chance of any problems occurring because of this situation.
- After reading this manual, should you have any additional questions regarding the compatibility, fitting and/or use of this rack, please call your nearest Swagman authorized retail dealer or Swagman Customer Service.

⚠ Mounting the Bike Rack on a trailer or 5th wheel:

1. Purchaser is advised that the load created by the rack and bicycles may exceed the strength of the trailer or 5th wheel bumper or other mounting location. Failure through improper mounting will void the rack warranty.
2. Fold down racks are NOT covered under warranty if mounted on the back of fifth wheels or trailers.
3. This rack is designed to go between a tow vehicle and the trailer. The trailer cannot exceed the curb weight of 3000 lbs.