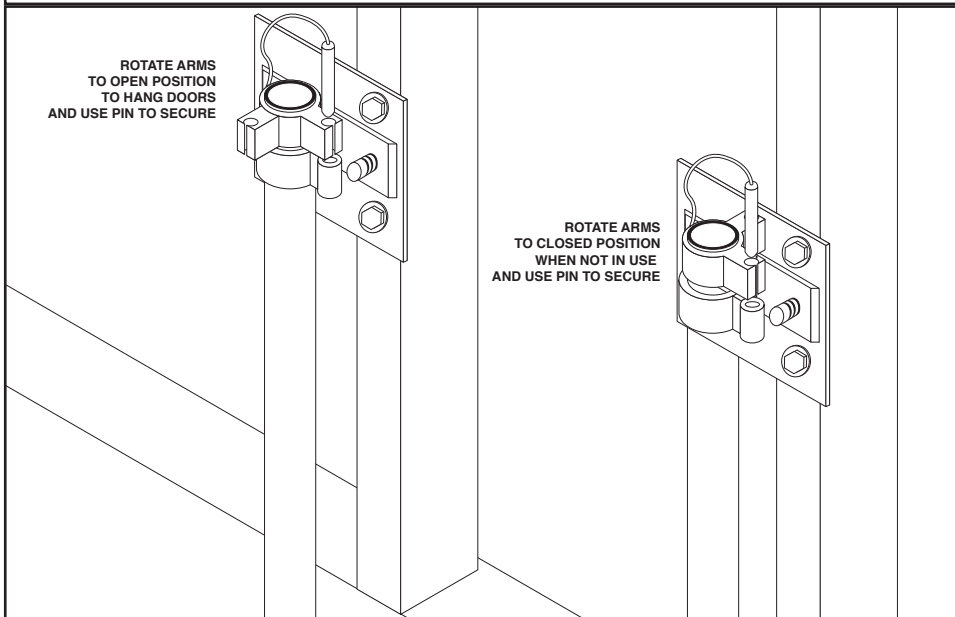
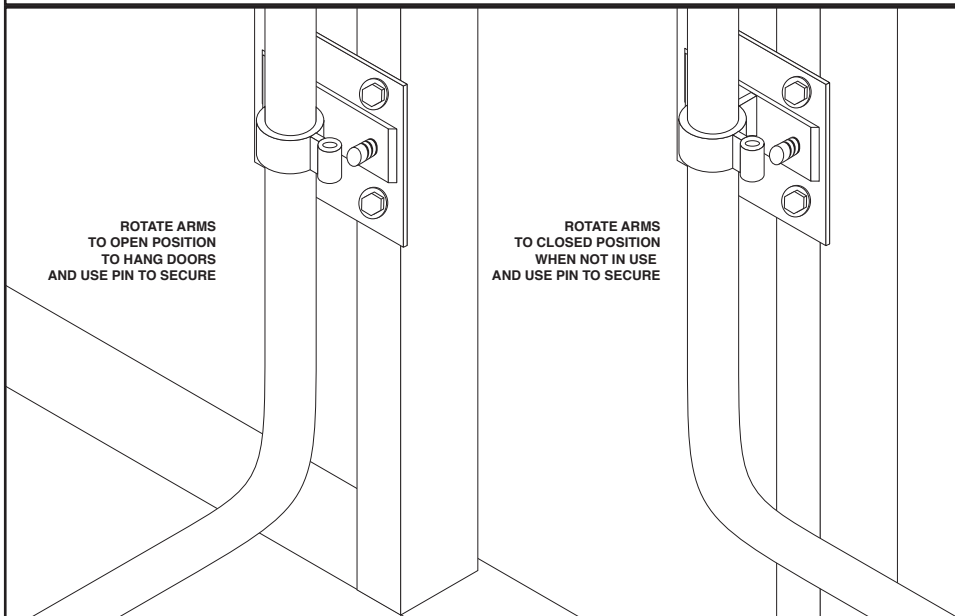


**5** THE BRACKET ARMS ROTATE 90 DEGREES WITHIN THE MOUNTING BRACKET TO AN OPEN (AWAY FROM THE WALL) OR CLOSED (NEXT TO WALL) POSITION. SECURE BRACKET POSITION WITH THE COTTER PIN.



**6** OPEN POSITION ALLOWS FOR HANGING THE JEEP DOORS (WITH WINDOWS OPEN) FROM THE DOOR WINDOW FRAME. CLOSED POSITION ALLOWS FOR BRACKET STORAGE FLUSH AGAINST WALL.



## SWING AWAY JEEP DOOR BRACKET

FOR JEEP WRANGLER, YJ, TJ, JK, AND JL WITH ORIGINAL EQUIPMENT DOORS.

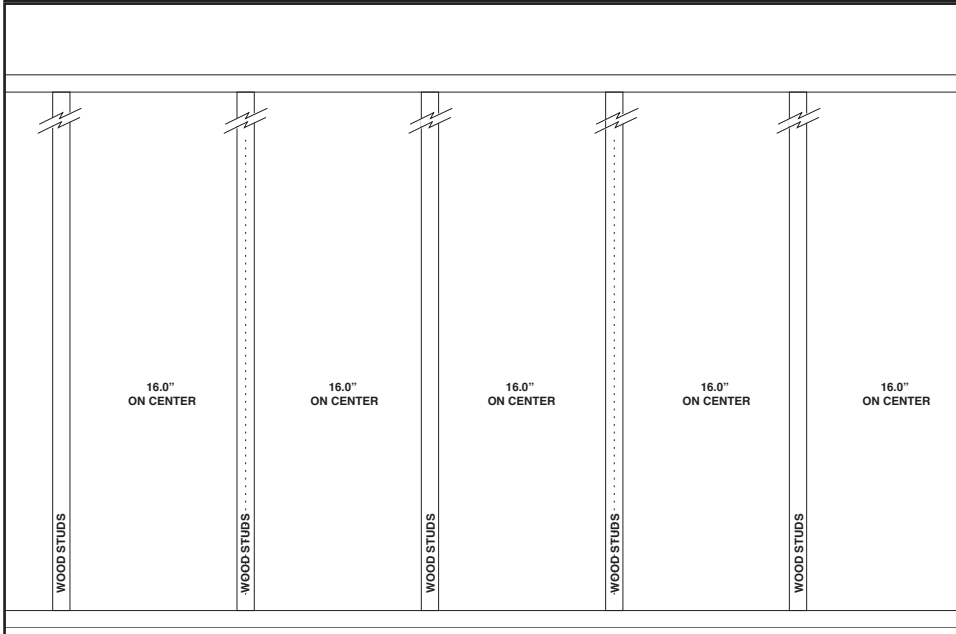
CAREFULLY READ ALL INSTRUCTIONS BEFORE PROCEEDING WITH ASSEMBLY/USE. THIS PRODUCT IS DESIGNED TO BE MOUNTED TO A WALL THAT HAS STUDS SPACED 16" ON CENTER. DUE TO DIFFERENCES IN BUILDING MATERIALS, MOUNTING HARDWARE IS NOT SUPPLIED. FAILURE TO SECURE PRODUCT TO STUDS CAN RESULT IN DAMAGE TO PRODUCT, PROPERTY, OR SERIOUS INJURY.



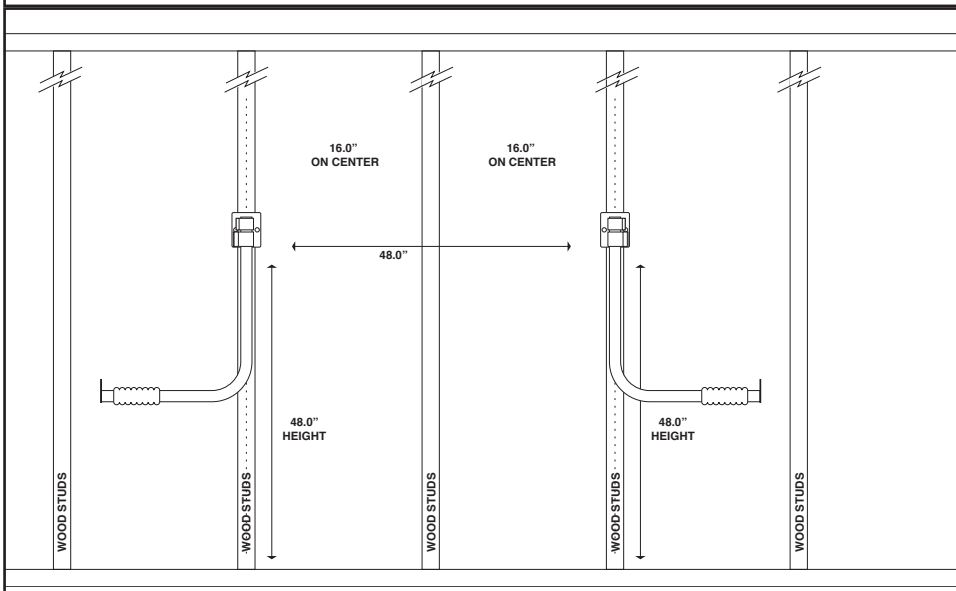
# SURCO

PRODUCTS, INC.

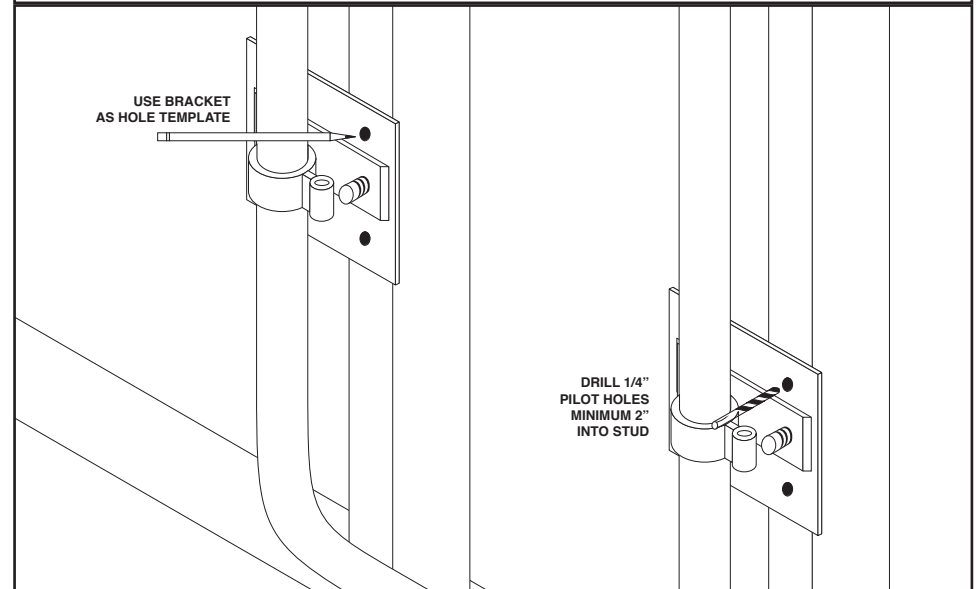
- 1** USING A STUD FINDER, LOCATE THE STUDS ON YOUR INSTALLATION WALL. FOR PROPER MOUNTING, STUDS SHOULD BE 16" ON CENTER.



- 2** THE DOOR HOLDER BRACKET SHOULD BE MOUNTED AT LEAST 48" FROM THE FLOOR. THE DOOR HOLDER BRACKETS SHOULD BE SPACED AT LEAST 48" FROM EACH OTHER OR WHEREVER THE STUD IS PRESENT TO ENSURE PROPER SPACING BETWEEN DOORS.



- 3** POSITION AND MARK THE APPROPRIATE MOUNTING POSITION. USE THE BRACKET FOR REFERENCE AND DRILL FOUR 1/4" PILOT HOLES IN THE CENTER OF EACH STUD. MAKE SURE PILOT HOLES ARE AT LEAST 2" INTO THE STUD.



- 4** DETERMINE THE PROPER LENGTH 5/16" LAG BOLTS FOR YOUR APPLICATION. BOLTS MUST BE EMBEDDED AT LEAST 2" INTO STUD. USING 5/16" LAG BOLTS AND 5/16" FLAT WASHERS, ATTACH THE DOOR HOLDER BRACKET TO THE WALL.

