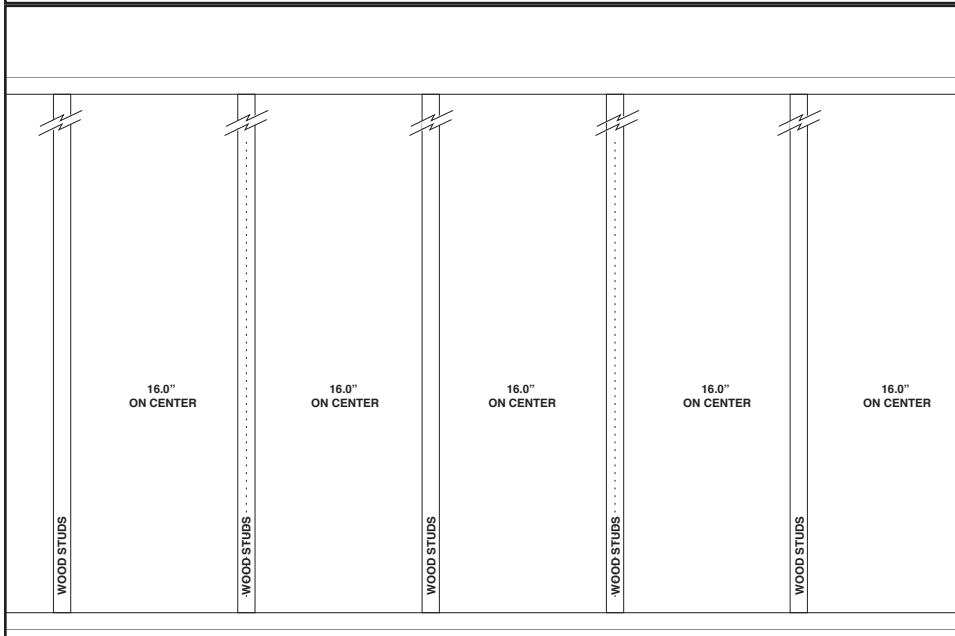
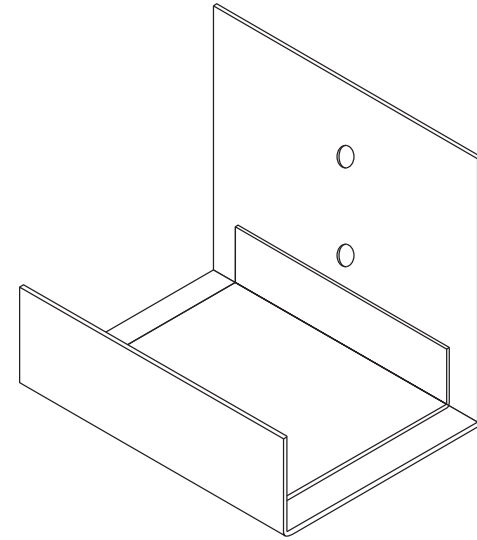
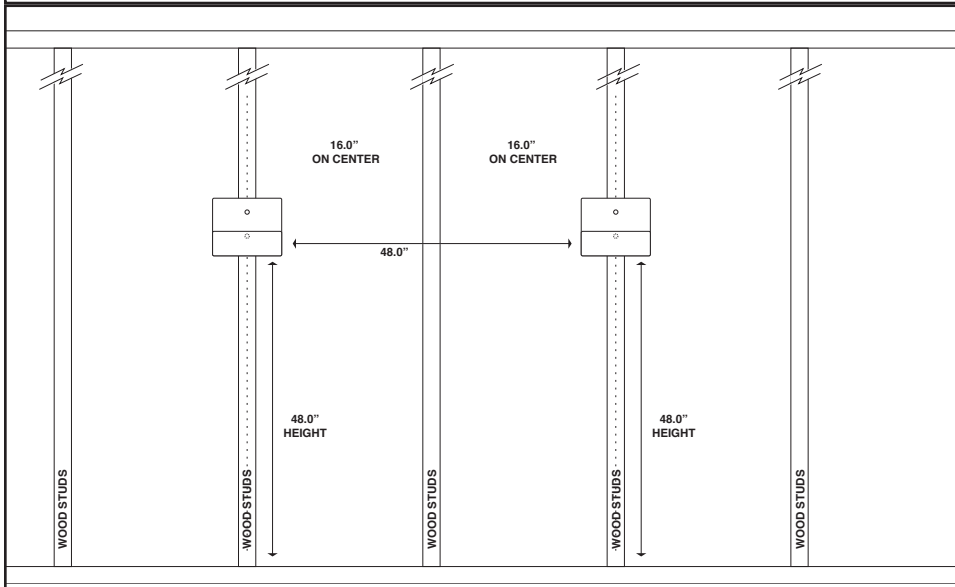


- 1** USING A STUD FINDER, LOCATE THE STUDS ON YOUR INSTALLATION WALL. FOR PROPER MOUNTING, STUDS SHOULD BE 16" ON CENTER.



- 1** THE DOOR HOLDER BRACKET SHOULD BE MOUNTED AT LEAST 48" FROM FLOOR. THE DOOR HOLDER BRACKETS SHOULD BE SPACED AT LEAST 48" FROM EACH OTHER OR WHEREVER THE STUD IS PRESENT TO ENSURE PROPER SPACING BETWEEN DOORS.



DOOR HOLDER BRACKET FOR JEEP WRANGLER

FOR JEEP WRANGLER, YJ, TJ, JK, AND JL WITH ORIGINAL EQUIPMENT DOORS.

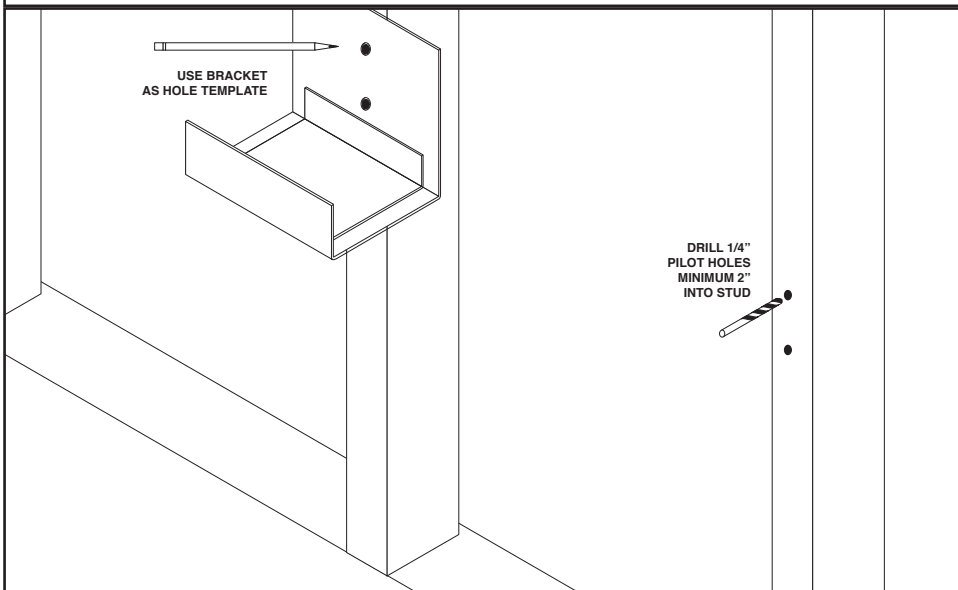
CAREFULLY READ ALL INSTRUCTIONS BEFORE PROCEEDING WITH ASSEMBLY/USE. THIS PRODUCT IS DESIGNED TO BE MOUNTED TO A WALL THAT HAS STUDS SPACED 16" ON CENTER. DUE TO DIFFERENCES IN BUILDING MATERIALS, MOUNTING HARDWARE IS NOT SUPPLIED. FAILURE TO SECURE PRODUCT TO STUDS CAN RESULT IN DAMAGE TO PRODUCT, PROPERTY, OR SERIOUS INJURY.



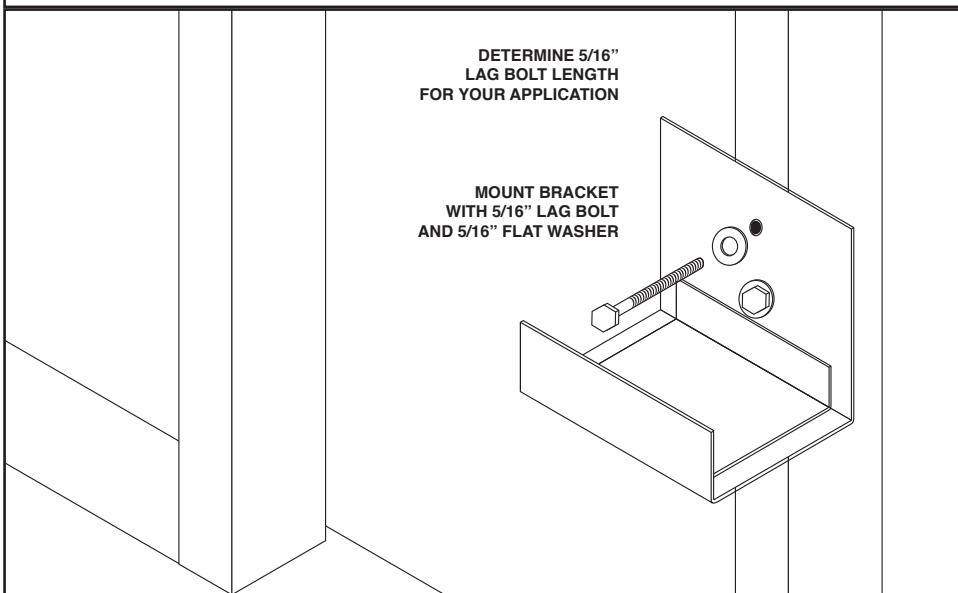
SURCO

PRODUCTS, INC.

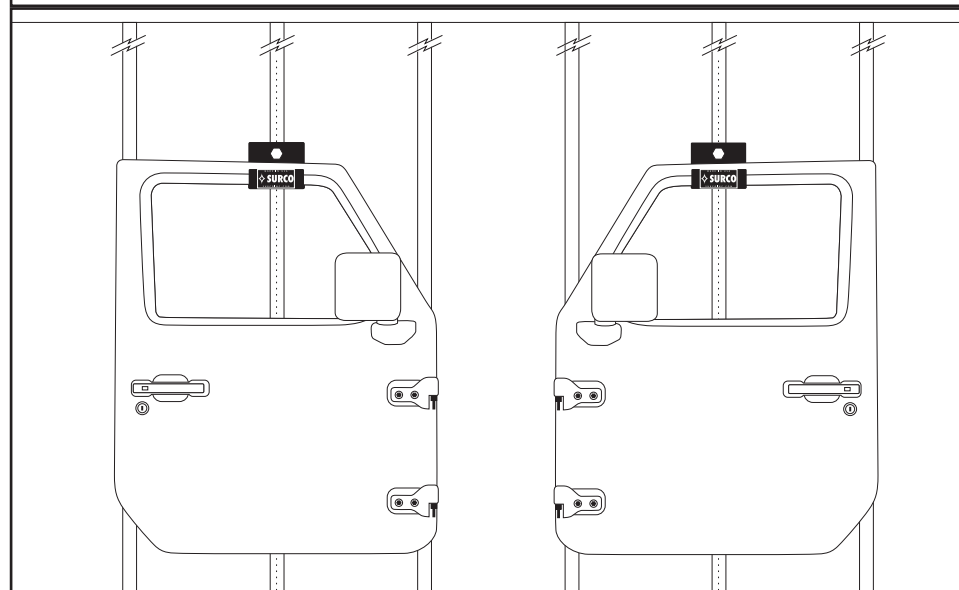
3 POSITION AND MARK THE APPROPRIATE MOUNTING POSITION. USE THE DOOR HOLDER BRACKET FOR REFERENCE AND DRILL TWO 1/4" PILOT HOLES IN THE CENTER OF EACH STUD. MAKE SURE PILOT HOLES ARE AT LEAST 2" INTO THE STUD.



4 DETERMINE THE PROPER LENGTH 5/16" LAG BOLTS FOR YOUR APPLICATION. BOLTS MUST BE EMBEDDED AT LEAST 2" INTO STUD. USING 5/16" LAG BOLTS AND 5/16" FLAT WASHERS, ATTACH THE DOOR HOLDER BRACKET TO THE WALL.



A DOORS CAN BE HUNG FROM THE BRACKET IN TWO POSITIONS (A or B). WITH THE WINDOW DOWN ON THE DOOR, THE ENTIRE DOOR VIA THE DOOR WINDOW FRAME CAN REST ON THE FOAM PAD OF THE DOOR HOLDER BRACKET.



B WITH THE WINDOW DOWN ON THE DOOR, THE ENTIRE DOOR VIA THE DOOR WINDOW FRAME CHANNEL (THE RUBBER WEATHERSTRIPPING GAP THAT THE WINDOW GLASS SLIDES INTO) CAN REST ONTO THE END OF THE DOOR HOLDER BRACKET.

