



# TECHNICAL DATA GUIDE

TIGER SHARK, TS 9500 SR / TS 11500 SR

TIGER SHARK, TS 9500 / TS 11500

PERFORMANCE SPECIFICATIONS AND REPAIR PARTS FOR YOUR  
[12VDC Electric Winch](#)



## SPECIFICATIONS - TIGER SHARK

**Working Load\*** - **TS 9500 SR / TS 9500:** 9,500 lbs (4,309 kg)  
**TS 11500 SR / TS 11500:** 11,500 lbs (5,216 kg)

**Motor** - **TS 9500 SR / TS 9500:** 5.2 hp, (3.8 kW) Sealed  
**TS 11500 SR / TS 11500:** 6.0 hp, (4.48 kW) Sealed

**Gearing Ratio** - 218:1

**Freespool Clutch** - Pull and Turn

**Drum Diameter** - 2.5" (63.5mm)

**Drum Length** - 9" (228.6mm)

**Installed Weight** - **TS 9500 SR:** 61 lbs (27 kg) / **TS 11500 SR:** 62 lbs (28 kg)  
**TS 9500:** 90 lbs (41 kg) / **TS 11500:** 94 lbs (42 kg)

**Switching Method** - Sealed Handheld Controller

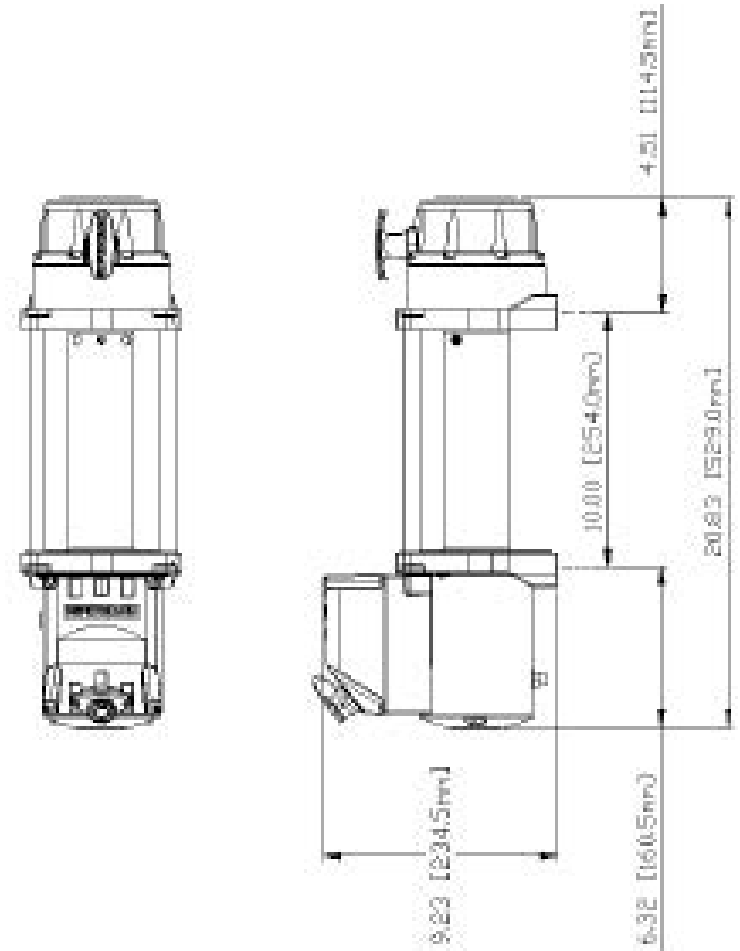
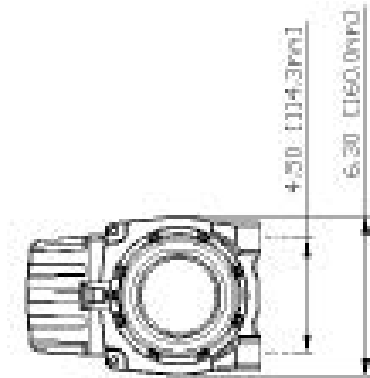
**TS 9500 SR / TS 11500 SR** - Aluminium Hawse

**TS 9500 / 11500** - Roller Fairlead

\* PERFORMANCE BASED ON THE FIRST LAYER OF ROPE WRAPPED ON DRUM

## Tiger Shark - TS 9500 SR / TS 11500 SR

Winch Dimension Chart

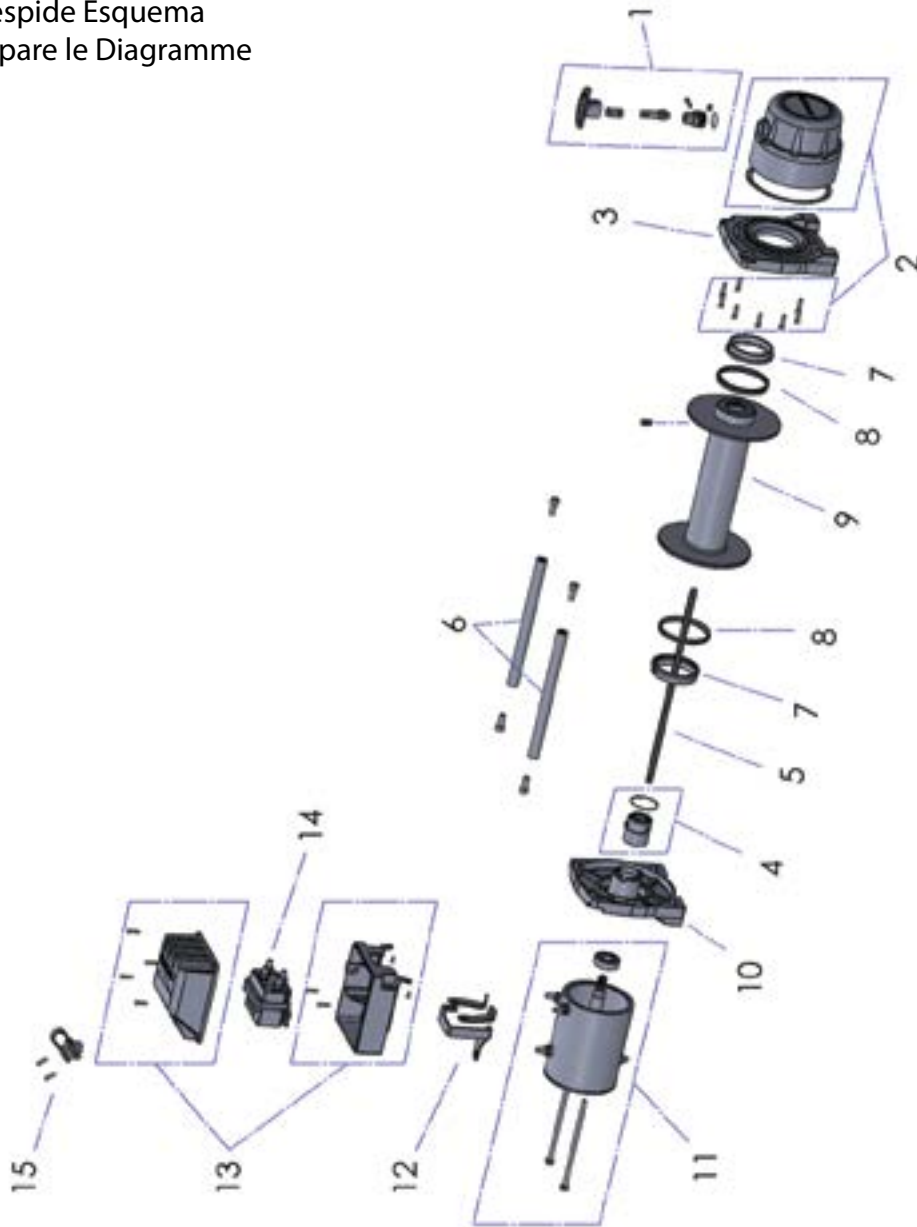


# Tiger Shark Series - TS 9500 SR / TS 11500 SR

Parts Diagram

Despide Esquema

Sépare le Diagramme



## ROLLING LOAD CAPACITIES

Slope**	10% (6°)	20% (11°)	40% (17°)	100% (45°)
lb***	47,737	32,294	20,464	12,213
kg**	21653	14648	9282	5540
TS 11500 SR / TS 11500				
lb***	57,789	39,116	24,784	14,781
kg**	26212	17742	11241	6704

Ratings assume a 10% coefficient of friction.

\*\* A 10% slope is a rise of one foot in ten feet. Slope in approximate degrees is also above.

\*\*\* All loads shown are for single-line operation. Double-line operation with optional pulley block approximately doubles capacity of winch.

## PERFORMANCE

Number of Rope Layer(s)	Max. Pulling Capacity		Load		*Speed		*Motor Current Amps
	lbs	kg	lbs	kg	ft/min	m/min	
TS 9500 SR / TS 9500							
1	9,500	4309	0	0	19@0 lbs	5.7@0 kg	80
2	7,711	3497	9,500				
3	6,489	2943	9,500	4,309	4@9,500 lbs	1.2@4309 kg	340
4	5,601	2540					
TS 11500 SR / TS 11500							
1	11,500	5216	0	0	19@0 lbs	5.7@0 kg	80
2	9,121	4137	11,500				
3	7,557	3427	11,500	5216	2@11,500 lbs	0.6@5216 kg	410
4	6,451	2926					

\* Performance based on the first layer of rope wrapped on drum.

TIGER SHARK - TS 9500 SR, TS 9500 / TS 11500 SR, TS 11500 PARTS LIST; REFER TO THE DIAGRAM

**Legend Number:**

**Superwinch Part Number:**

**Part Description**

1	90-24571	Freespool Knob Assembly (includes setscrew)
2	90-41432	Gearbox Assembly with gasket and Mounting bolts
3	90-41433	Drum Support, Gearbox-side
4	90-32512	Brake Assembly
5	90-24596	Driveshaft
6	90-32488	Tie bars (pair) with mounting bolts
7	90-14521	Drum Bushings (pair)
8	90-14520	Drum Seals (pair)
9	90-42639	Drum
10	90-42638	Drum Support, Motor-side
11	90-32513 (TS 9500 SR, TS 9500) 90-32514 (TS 11500 SR, TS 11500)	Motor Assembly
12	90-32491	Buss Bars (3 pc. set)
13	90-41436	Solenoid Box Assembly (includes brackets and bolts)
14	90-32492	Solenoid
15	90-24573	Socket for Solenoid box (includes screws)
	90-32493	Roller Fairlead
	90-24507-01	Hawse
	90-24574	Hardware kit (includes winch mount bolts and hawse & Fairlead mount bolts)
	90-24595	Synthetic Rope assembly (9500 SR, 11500 SR)
	90-24575	Wire Rope assembly (9500)
	90-24576	Wire Rope assembly (11500)
	90-24555	Hook, Gancho, Crochet
	90-24578	Battery Cables (pair, red and black) TS 9500 SR, TS 9500, TS 11500 SR, TS 11500
	90-22860	Circuit Breaker Assembly (TS 9500 SR, TS 9500)
	90-22147	Circuit Breaker Assembly (TS 11500 SR, TS 11500 )
	90-32494	Handheld Controller
	87-31120	Handsaver /
	90-32515	Label Kit (includes all labels for winch (TS 9500 SR)
	90-32516	Label Kit (includes all labels for winch (TS 11500 SR)
	90-32495	Label Kit (includes all labels for winch (TS 9500)00)
	90-32496	Label Kit (includes all labels for winch (TS 11500)