

PRIMARY APPLICATION

VOLKSWAGEN

Amarok 4x2 (2015-2020)

Amarok 4x4 (2015-2020)

TOOLS REQUIRED

- 1 Floor Jack
- 2 Jack Stands
- 4 Wheel Blocks
- 1 1/2" Wrench/Socket
- 1 7/32" Allen Wrench

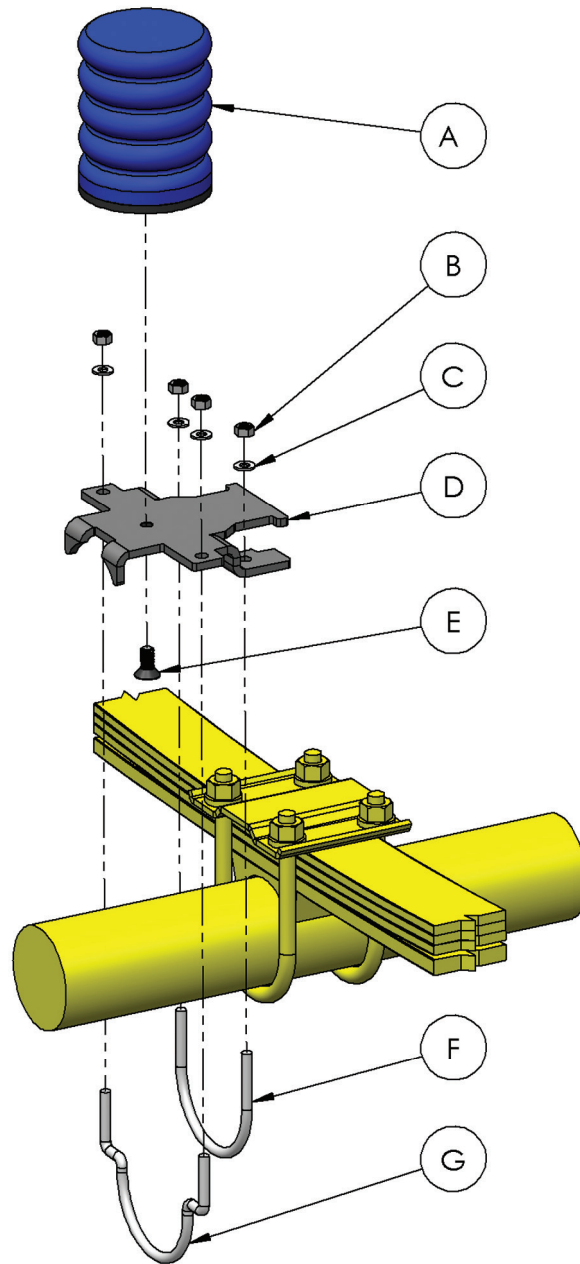
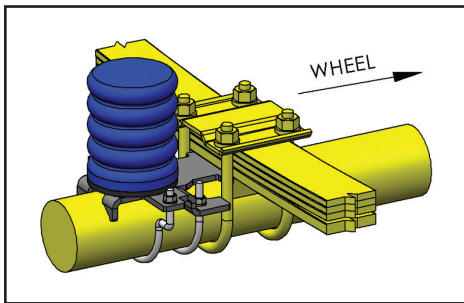
PARTS LIST

Item	QTY	Part#	Description
A	2	511440-38	SumoSprings Blue (-40)
B	8	112241	5/16" Top Lock Nut
C	8	512244	5/16" Flat Washer
D	2	522054	Bottom Bracket
E	2	512245	3/8" - 16 x 7/8" FHCS
F	2	522201	5/16" Round U-Bolt
G	2	522204	5/16" Amarok U-Bolt
H	1	512239	Loctite sachet

APPROXIMATE INSTALL TIME

🕒 1.5 Hours

FINAL ASSEMBLY



⚠️ Never exceed the manufacturer's Gross Vehicle Weight Rating (GVWR) located on your vehicle's identification tag.

SAFETY NOTICE: We recommend installation be done by a professional or persons with sound mechanical knowledge.

WARNING: These instructions are a general guide for installation. SuperSprings International, Inc. assumes no liability for the actual installation process. Consumers and installers should apply common automotive safety practices when raising and working on any vehicle. **Do not put yourself in a position where, if the vehicle were to move**

unexpectedly, you may be injured. SuperSprings' products are designed to improve vehicle ride quality. Do not load any vehicle beyond the manufacturer's specifications.

BEFORE INSTALLATION: Ensure the vehicle is on a level surface, the parking brake is ON, with the ignition OFF, and place blocks in front of and behind the front tires to prevent the vehicle from moving.

DURING AND/OR AFTER INSTALLATION: Ensure emergency brake cables are not touching the SuperSprings. Secure any cables out of the way with zip ties or by re-routing. **Ensure all A/C lines, brake cables and frame are clear of contact or interference.**

1. Park vehicle on a level hard surface and engage emergency brake. Place blocks on the front wheels to prevent rolling. Observe all safety precautions and wear safety glasses.
2. Raise the rear of vehicle allowing the axle to hang freely. Support the frame using safety jack stands.
3. Remove the factory bump stops from the underside of the chassis and set aside. To remove pull firmly and rotate out of the holder bracket.
4. Remove the **SumoSprings Blue [-40] (ITEM A)** and **Bottom Bracket (ITEM D)** from the box. Attach the Bottom Bracket to the underside of the SumoSpring Using the **3/8" - 16 x 7/8" FHCS (ITEM E)**.
5. Place the assembly on the axle with the outside edge of the **Bottom Bracket (ITEM D)** against the spring-pack, between the factory u-bolts. Attach the **Bottom Bracket (ITEM D)** to the axle using the :
 - ▶ **5/16" Round U-bolt (ITEM F)**
 - ▶ **5/16" Amarok U-Bolt (ITEM G)**
 - ▶ **5/16" Top Lock Nut (ITEM B)**
 - ▶ **5/16" Washer (ITEM C)**.

Ensure the **5/16" Amarok U-bolt (ITEM G)** is closest to the center of the axle and not over the lower shock absorber mount.

6. Tighten the nuts securely, but be sure not to over-tighten/bend the u-bolts or the bracket.
7. Repeat procedure on the other side.
8. Raise the vehicle, remove safety jack stands.
9. Carefully lower vehicle to the hard surface. Remove the blocks in front and back of the rear wheels.
10. Release emergency brake.
11. Fill out warranty information at: supersprings/warranty/



Never exceed the manufacturer's Gross Vehicle Weight Rating (GVWR) located on your vehicle's identification tag.

SAFETY NOTICE: We recommend installation be done by a professional or persons with sound mechanical knowledge.

WARNING: These instructions are a general guide for installation. SuperSprings International, Inc. assumes no liability for the actual installation process. Consumers and installers should apply common automotive safety practices when raising and working on any vehicle. **Do not put yourself in a position where, if the vehicle were to move**

unexpectedly, you may be injured. SuperSprings' products are designed to improve vehicle ride quality. Do not load any vehicle beyond the manufacturer's specifications.

BEFORE INSTALLATION: Ensure the vehicle is on a level surface, the parking brake is ON, with the ignition OFF, and place blocks in front of and behind the front tires to prevent the vehicle from moving.

DURING AND/OR AFTER INSTALLATION: Ensure emergency brake cables are not touching the SuperSprings. Secure any cables out of the way with zip ties or by re-routing. **Ensure all A/C lines, brake cables and frame are clear of contact or interference.**