

PART NUMBER

SSR-218-47-2



PRIMARY APPLICATIONS

- > Chevrolet Silverado 1500 4 X 2 (2007 - 2019)
- > Chevrolet Silverado 1500 4 X 4 (2007 - 2019)
- > GMC Sierra 1500 4 X 2 (2007 - 2019)
- > GMC Sierra 1500 4 X 4 (2007 - 2019)

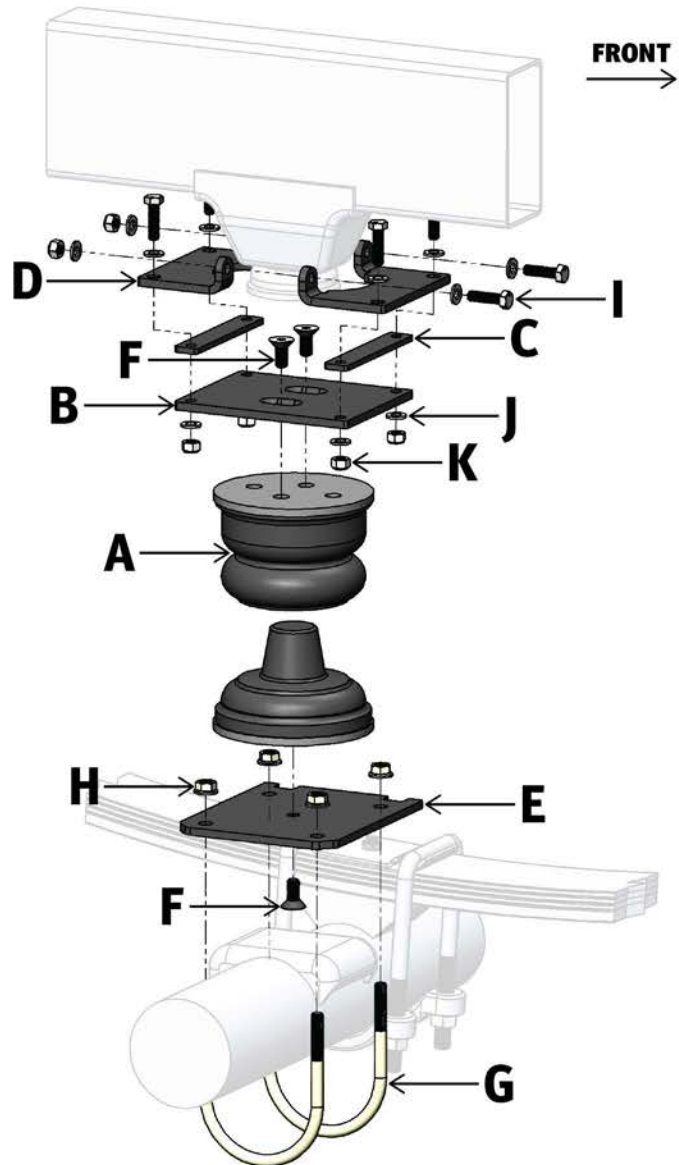
*For 2019, will only fit 'Classic' models.

TOOLS REQUIRED

- > Floor Jack
- > Jack Stands
- > Wheel Chocks
- > Standard & Metric Sockets & Wrenches

PARTS LIST

Item	Part #	Discription	QTY
A	521402	SumoSprings Black -47	2
B	512186	Upper Mounting Bracket	2
C	512188	Upper Bracket Spacer	4
D	512185	Upper Bracket Clamp	4
E	512187	Lower Bracket	2
F	512245	3/8-16 x 7/8" FHCS	6
G	512228	3/8-16 U-Bolt	4
H	512302	3/8 Locking Flange Nut	8
I	512330	M8-1.25 x 30mm Hex Bolt	12
J	512215	M8 Flat Washer	24
K	512219	M8 Nyloc Nut	12



DRIVER SIDE (PASSENGER SIDE SIMILAR)

Part Number: SSR-218-47-2

Product Line: SUMOSPRINGS REAR

Page 1

SAFETY NOTICE: We recommend installation be done by a professional or persons with sound mechanical knowledge.

WARNING: These instructions are a general guide for installation. SuperSprings International, Inc. assumes no liability for the actual installation process. Consumers and installers should apply common automotive safety practices when raising and working on any vehicle. **Do not put yourself in a position where, if the vehicle were to move unexpectedly, you may be injured.** SuperSprings' products are designed to improve vehicle ride quality. Do not load any vehicle beyond the manufacturer's specifications.

Never exceed the manufacturer's Gross Vehicle Rating (GVWR) located on your vehicles identification tag.

BEFORE INSTALLATION: Ensure the vehicle is on a level surface, the parking brake is ON, with the ignition OFF, and place blocks in front of and behind the front tires to prevent the vehicle from moving.

DURING AND/OR AFTER INSTALLATION: Ensure emergency brake cables are not touch-ing the SuperSprings. Secure any cables out of the way with zip ties or by re-routing. Ensure all A/C lines, brake cables, and frame are clear of contact or interference.

PART NUMBER

SSR-218-47-2

IMPORTANT NOTICE: Your part may have been loosely preassembled to show the final product as it will be once installed on your vehicle. Please disassemble the product before proceeding to the installation.

1. Park the vehicle on a hard, level surface and engage the emergency brake. Place chocks in front and behind the wheels to prevent rolling. Observe all safety precautions and wear safety glasses.
2. Raise the rear of the vehicle allowing the axle to hang freely and rest the frame on the safety jack stands rated for the weight of the vehicle. Removal of the rear wheels is optional.
3. Remove the factory bump stops from the underside of the frame.
4. Assemble the Lower Bracket [ITEM E] to the bottom half of the SumoSpring [ITEM A] using a 3/8-16 x 7/8" FHCS [ITEM F].
5. Take the assembled lower portion and position it over the contact pad on the axle. Make sure that the notches in the Lower Bracket are pointing outboard toward the leaf pack and located around the factory u-bolts. Position the lower assembly as close to the leaf pack as possible.
6. Place two 3/8-16 U-Bolts [ITEM G] upward around the axle and through the holes in the lower bracket, then fasten in place with the 3/8 Locking Flange Nuts [ITEM H].
7. Assemble the Upper Mounting Bracket [ITEM B] to the top half of the SumoSpring [ITEM A] using two 3/8-16 x 7/8" FHCS [ITEM F]. Leave slightly loose for now.
8. Place two of the Upper Bracket Clamps [ITEM D] around the factory bump stop cup and attach together using two M8-1.25 x 30mm Hex Bolts [ITEM I], four M8 Flat Washers [ITEM J], and two M8 Nyloc Nuts [ITEM K]. Leave slightly loose for now.
9. Attach the Upper Mounting Bracket [ITEM B] to the Upper Bracket Clamps [ITEM D] with one of the Upper Bracket Spacers [ITEM C] at each end, between them and aligned with the bolt holes. Fasten together with the M8 x 30mm Hex Bolts [ITEM I], M8 Flat Washers [ITEM J], and M8 Nyloc Nuts [ITEM K] and leave slightly loose.
10. Adjust position of the upper half of the SumoSpring front to back so that it is aligned with the lower half. Once the desired position is achieved, tighten all hardware securely.
11. Repeat steps 3 through 10 on the other side of the vehicle.
12. Raise the vehicle, remove safety jack stands, and carefully lower vehicle to the hard surface. Remove the chocks from the front wheels.
13. Register the warranty for your SuperSprings International part. A warranty card can be found in the box your part came in.

Part Number: SSR-218-47-2**Product Line: SUMOSPRINGS REAR****Page 2**

SAFETY NOTICE: We recommend installation be done by a professional or persons with sound mechanical knowledge.

WARNING: These instructions are a general guide for installation. SuperSprings International, Inc. assumes no liability for the actual installation process. Consumers and installers should apply common automotive safety practices when raising and working on any vehicle. **Do not put yourself in a position where, if the vehicle were to move unexpectedly, you may be injured.** SuperSprings' products are designed to improve vehicle ride quality. Do not load any vehicle beyond the manufacturer's specifications.

Never exceed the manufacturer's Gross Vehicle Rating (GVWR) located on your vehicles identification tag.

BEFORE INSTALLATION: Ensure the vehicle is on a level surface, the parking brake is ON, with the ignition OFF, and place blocks in front of and behind the front tires to prevent the vehicle from moving.

DURING AND/OR AFTER INSTALLATION: Ensure emergency brake cables are not touch-ing the SuperSprings. Secure any cables out of the way with zip ties or by re-routing. Ensure all A/C lines, brake cables, and frame are clear of contact or interference.