

PART NUMBER

**SSR-148-40/47**



**BEFORE YOU BEGIN**

**PRIMARY APPLICATIONS**

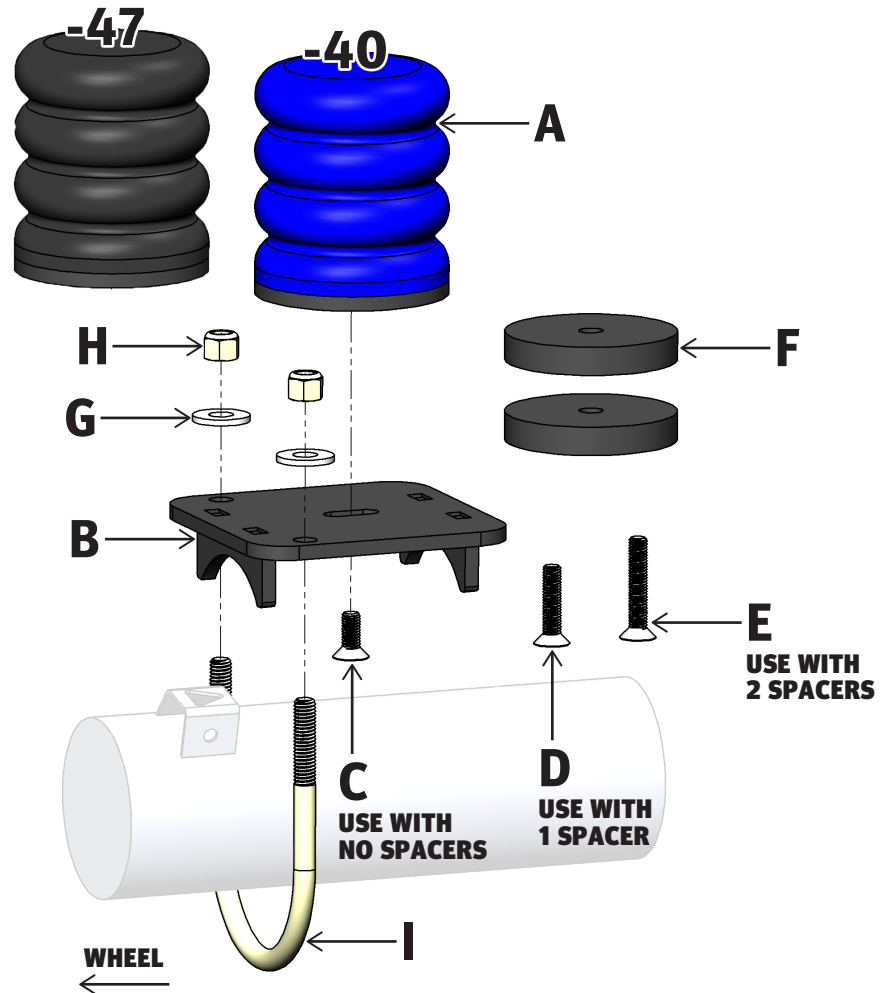
- > Ford Bronco 4 x 2  
(2021 - present)
- > Ford Bronco 4 x 4  
(2021 - present)

**TOOLS REQUIRED**

- > Floor Jack
- > Jack Stands
- > Wheel Chocks
- > Ratchet and Sockets
- > 5mm Allen Key
- > Torque Wrench

**PARTS LIST**

Item	Part #	Description	QTY
A	511453	SumoSprings Blue -40	2
	511454	SumoSprings Black -47	
B	512184	Mounting Bracket	2
C	512377	M8-1.25 x 20mm FHCS	2
D	512267	M8-1.25 x 35mm FHCS	2
E	512378	M8-1.25 x 45mm FHCS	2
F	512116	3" x 1/2" Spacer	4
G	512227	3/8 Flat Washer	4
H	512323	3/8-16 Nyloc Nut Grade 8	4
I	512228	3/8-16 U-Bolt	2



**DRIVER SIDE (PASSENGER SIDE SIMILAR)**

**SAFETY NOTICE:** We recommend installation be done by a professional or persons with sound mechanical knowledge.

**WARNING:** These instructions are a general guide for installation. SuperSprings International, Inc. assumes no liability for the actual installation process. Consumers and installers should apply common automotive safety practices when raising and working on any vehicle. **Do not put yourself in a position where, if the vehicle were to move unexpectedly, you may be injured.** SuperSprings' products are designed to improve vehicle ride quality. Do not load any vehicle beyond the manufacturer's specifications.

Never exceed the manufacturer's Gross Vehicle Rating (GVWR) located on your vehicles identification tag.

**BEFORE INSTALLATION:** Ensure the vehicle is on a level surface, the parking brake is ON, with the ignition OFF, and place blocks in front of and behind the front tires to prevent the vehicle from moving.

**DURING AND/OR AFTER INSTALLATION:** Ensure emergency brake cables are not touching the SuperSprings. Secure any cables out of the way with zip ties or by re-routing. Ensure all A/C lines, brake cables, and frame are clear of contact or interference.

PART NUMBER

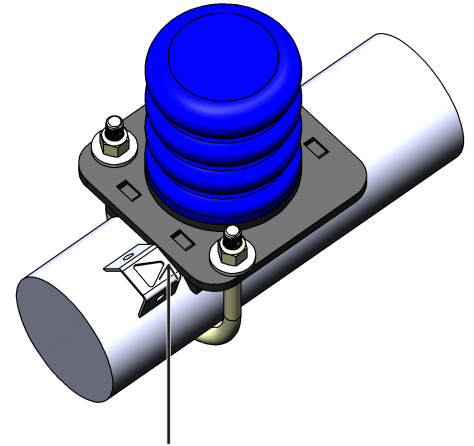
## SSR-148-40/47



**IMPORTANT NOTICE:** Your part may have been loosely preassembled to show the final product as it will be once installed on your vehicle. Please disassemble the product before proceeding to the installation.

### INSTALLATION

1. Park the vehicle on a hard, level surface and engage the emergency brake. Place chocks in front and behind wheels to prevent rolling. Raise the back of the vehicle and allow the axle to hang so the rear wheels are off the ground. Support chassis with jack stands. Observe all safety precautions and wear safety glasses.
  2. It is not necessary to remove the rear wheels, but it will allow for easier installation.
  3. Apply Blue Thread Locker to the threads of the M8-1.25 x 20mm FHCS [ITEM C] and attach the SumoSpring [ITEM A] to the Mounting Bracket [ITEM B]. Leave the bolt slightly loose so it can move in the slot.
  4. Starting on the driver side, place the assembly on top of the axle on the inboard side of the bracket that holds the wiring harness. Ensure that the u-bolt holes in the bracket are on the outside towards the wheel.
  5. Position the Mounting Bracket so that it is up against the wiring harness bracket and ensure that the wiring harness is routed around the bracket and not pinched.
  6. Install the U-bolt [ITEM I] upwards around the axle and through the Mounting Bracket [ITEM B]. On each end of the U-bolt install one 3/8 Flat Washer [ITEM G] and one 3/8 Lock Nut [ITEM H] and leave them slightly loose.
  7. Repeat steps 3 through 6 on the passenger side.
  8. Use the jack to raise the axle up so the SumoSprings are close the frame.
  9. Adjust SumoSpring on the Mounting Bracket side to side so that it is centered under the frame. Adjust the rotation of the Mounting Bracket on the axle so that the SumoSpring is perpendicular to the bottom of the frame. Mark the position of the SumoSpring on the Mounting Bracket and the Mounting bracket on the axle.
  10. Lower the axle and tighten the SumoSpring mounting bolt to 20 ft. lbs. Tighten the U-bolt nuts securely, but do not over tighten and bend the bracket.
  11. Repeat step 10 on the passenger side.
- NOTE:** If more engagement is desired, one or two ½" Spacers [ITEM F] may be installed between the Mounting Bracket and the SumoSpring using the corresponding bolt [ITEM D or E] (see diagram).
12. If wheels were removed, they can now be installed. Torque lug nuts to factory specifications.
  13. Register the warranty for your SuperSprings International part. A warranty card can be found in the box your part came in.



**Mounting Bracket should be up against the wire harness bracket. Confirm that wiring is not stretched or pinched.**

**Part Number: SSR-148-40/47**

**Product Line: SUMOSPRINGS REAR**

**Page 2**

**SAFETY NOTICE:** We recommend installation be done by a professional or persons with sound mechanical knowledge.

**WARNING:** These instructions are a general guide for installation. SuperSprings International, Inc. assumes no liability for the actual installation process. Consumers and installers should apply common automotive safety practices when raising and working on any vehicle. **Do not put yourself in a position where, if the vehicle were to move unexpectedly, you may be injured.** SuperSprings' products are designed to improve vehicle ride quality. Do not load any vehicle beyond the manufacturer's specifications.

Never exceed the manufacturer's Gross Vehicle Rating (GVWR) located on your vehicles identification tag.

**BEFORE INSTALLATION:** Ensure the vehicle is on a level surface, the parking brake is ON, with the ignition OFF, and place blocks in front of and behind the front tires to prevent the vehicle from moving.

**DURING AND/OR AFTER INSTALLATION:** Ensure emergency brake cables are not touching the SuperSprings. Secure any cables out of the way with zip ties or by re-routing. Ensure all A/C lines, brake cables, and frame are clear of contact or interference.