

SumoSprings Front

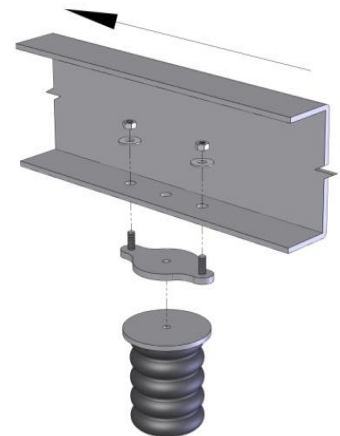
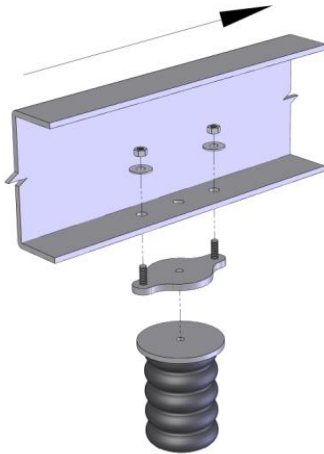
Ford Super Duty 4X4 (1999-2004)

Part #SSF-103-47

DRIVER SIDE

FRONT

PASSENGER SIDE



Installation Instructions

- 1) Park vehicle on level hard surface. Engage emergency brake. Place blocks in front and behind rear wheels to prevent rolling. Observe all safety precautions and wear safety glasses.
- 2) Raise front of vehicle allowing the axle to hang freely. Support the frame using safety jack stands.
- 3) Remove existing factory jounce bumper assembly by unbolting the two hex nuts and removing the assembly.
- 4) Attach the SumoSpring by threading the two studs of the assembly through the existing holes in the underside of the frame from which the factory jounce bumper assembly was removed.
- 5) Install the supplied flat washers and nuts on top of the studs and tighten securely.
- 6) Repeat steps three through five on the other side of the vehicle.
- 7) Jack up vehicle, remove safety jack stands.
- 8) Carefully lower vehicle to the hard surface. Remove the blocks in front and back of the rear wheels.
- 9) Release emergency brake.
- 10) Fill out warranty card and send to SuperSprings. The warranty card is on the reverse side of this page.

Tool List

- Floor Jack 1
- Jack Stands 2
- 13mm Socket/Wrench 1
- Ratchet 1
- Wheel Blocks 4

Parts List

- SumoSprings 2
- M8 Washers 4
- M8 Nuts 4