



SUPERLIFT[®]

S U S P E N S I O N

Superlift Part No. 5064 - 4" [lift system](#) for

1997 and newer JEEP TJ with coil spring suspension

INSTALLATION INSTRUCTIONS

INTRODUCTION

Installation requires a professional mechanic. Prior to beginning, inspect the vehicles steering, driveline, and brake systems, paying close attention to the track bar, suspension link arms and bushings, anti-sway bars and bushings, tie rod ends, pitman arm, ball joints and wheel bearings. Also check the steering sector-to-frame and all suspension-to-frame attaching points for stress cracks. The overall vehicle must be in excellent working condition; repair or replace all worn parts.

Read instructions several times before starting. Be sure you have all needed parts and know where they install. Read each step completely as you go.

NOTES:

If the optional Rockrunner System is being installed, refer to those instructions before proceeding.

- An inclinometer, or similar angle measuring tool, is required for a rear driveshaft angle reading. If this tool is unavailable, proper shaft angle can be attained by trial and error.
- Front-end realignment is necessary.
- A factory service manual should be on hand for reference. The manual will contain fastener torque specs, assembly techniques, and special tool requirements that are unique to this particular year and model vehicle.
- Do not add or fabricate any components to gain additional suspension height.
- Any welding must be performed by a professional certified welder.
- After drilling, file smooth any burrs and sharp edges or stress cracks may develop.
- Paint or undercoat all exposed metal surfaces.
- Prior to attaching components, be sure mating surfaces are free of grease, grit, oil, undercoating, etc.
- A torque specification in foot pounds is shown in parenthesis "()" after each fastener.
- Use the check-off box "☐" found at each step to help keep your place. Two "☐☐" denotes that one check-off box is for the driver side and one is for the passenger side.
- An arrow on diagrams indicates which direction is towards "front of vehicle".
- Retain all factory hardware for reuse, unless otherwise specified.

PARTS LIST

The part number is stamped into each part or printed on an adhesive label. Identify each part and place the appropriate mounting hardware with it.

PART NO	DESCRIPTION (Qty.- if more than one)	ATTACHING HARDWARE (Qty.)
02-550.....	(2) front coil spring	
03-551.....	(2) rear coil spring	
9003.....	(2) compression stop extension, rear	(2) 10mm x 100mm bolt

55-05-5073.....	(2) lower trailing link, front	(8) bushing half (4) sleeve
-----------------	--------------------------------	--------------------------------

NOTE: Trailing links are located in separate kit box #5073.

55-03-5064.....	rear track bar bracket	(1) 7/16" x 1" bolt (1) 7/16" Nyloc nut (2) 5/16" x 3/4" bolt (2) 5/16" Nyloc nut
55-06-5064.....	torque shaft bracket	(2) 6mm x 20mm allen head bolt (2) 6mm nyloc nut
55-01-5067.....	(2) anti-sway bar bracket, front	(2) 3/8" x 1-1/2" bolt (2) 3/8" nyloc nut
55-09-5064.....	(2) anti-sway bar link, front	(2) 7/16" x 2-3/4" bolt (2) 7/16" Nyloc nut (4) poly bushing (4) sleeve
55-07-5064.....	transfer case drop bracket, driver side	(3) 1/2" x 3" allen head bolt
55-08-5064.....	transfer case drop bracket, passenger side	(3) 1/2" x 3" allen head bolt
55-10-5064.....	(2) anti-sway bar link, rear	(4) poly bushing (4) 1/2" ID poly vinyl sleeve
06-5702.....	(2) poly compression stop, front	
03-5062.....	(2) cam bolt assembly	
85306.....	(2) front shock absorber	(2) shock hardware pack
85115.....	(2) rear shock absorber	(2) shock hardware pack
01-86010.....	(4) yellow shock absorber boot*	(4) shock boot cable tie
	*(Note: Shock boot, if desired, purchased separately.)	
0034.....	Superlift badge	alcohol wipe pad

FRONT DISASSEMBLY

1) PREPARE VEHICLE...

- Place vehicle in low gear or park. With the suspension supporting vehicle weight, and the vehicle on level ground, use an inclinometer to take a rear driveshaft angle reading. One of the last installation steps will be to reset the driveshaft angle as close as possible to this reading.
- Place vehicle in neutral. Raise front of vehicle with a jack, and secure a jack stand behind the lower link arms, beneath each frame rail. Ease the frame down onto the stands. Support the outboard end of the driver and passenger side axle tube with a floor jack; the frame is to remain on the stands.

2) TRACK BAR...

- Remove the bolt at the bottom / axle end of the track bar. The upper / frame end is not disconnected.

3) DRAG LINK and PITMAN ARM...

- Remove the cotter pin and nut that connects the drag link-to pitman arm. Use a puller tool to detach the link from the arm.

4) SHOCK ABSORBERS...

- Disconnect and discard the factory shocks.

5) ANTI-SWAY BAR LINKS...

- On each side, disconnect the sway bar link from the axle bracket and the bar body.

6) LOWER LINK ARMS...

- Cam bolts attach the lower links to the front axle housing. Front end alignment is altered as the bolts are rotated. Paint or scribe alignment marks on each cam bolt and axle bracket so the bolts can later be returned to their original position.
- On each side, remove the cam bolt assembly from the link's axle end. Then remove the attaching bolt at the rear of the lower link arm where it connects to the frame rail and remove the link. Save all hardware for reuse.

7) COIL SPRINGS...

- Lower the jack/axle assembly until the coil springs are free from their upper seats. A retainer clip must be removed at the base of the driver side coil. Remove the coils.

FRONT ASSEMBLY

8) COMPRESSION TRAVEL STOPS: (qty. 2) #06-5702...

- [DIAGRAM 1] On each side, pry the factory compression stop from its mounting cup, taking care not to damage the cup.
- Install the replacement poly compression travel stops (#06-5702) in the factory cups. It may be necessary to raise the axle in order to press the stops in the cups. It may also be necessary to trim the end of the stop slightly so that the stop's retaining groove fully engages the tabs in the cup.

9) COIL SPRINGS #550...

- Lower the axle far enough to facilitate installing the coil springs. Use caution to prevent over-extending brake lines, vent hoses, etc.

- Install the coils. Position the coil in the tower first, then slide it into place on the axle seat.
- Reattach the retaining clip at the bottom of the driver side coil.

10) LOWER LINKS...

- Lubricate and install the supplied bushings and sleeves in the 55-05-5073 lower links.

- [DIAGRAM 2] On each side, install the 5073 lower links using the factory hardware. Note the eye offset: be sure to install each link as shown using the factory hardware. The cam bolts install at the axle with the nut side facing inboard. Only hand tighten the cam bolts; they, along with the links' rear eye bolts, are fully tightened in a later step.

11) SUPERLIFT SHOCK ABSORBERS...

On each side:

- Install shock boot and decal.

DIAGRAM 1 - COMPRESSION TRAVEL STOP INSTALLATION.

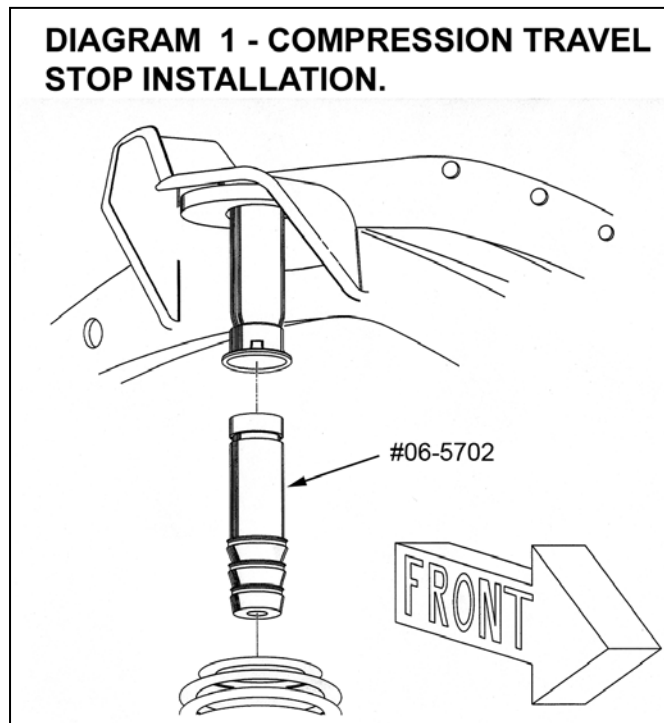
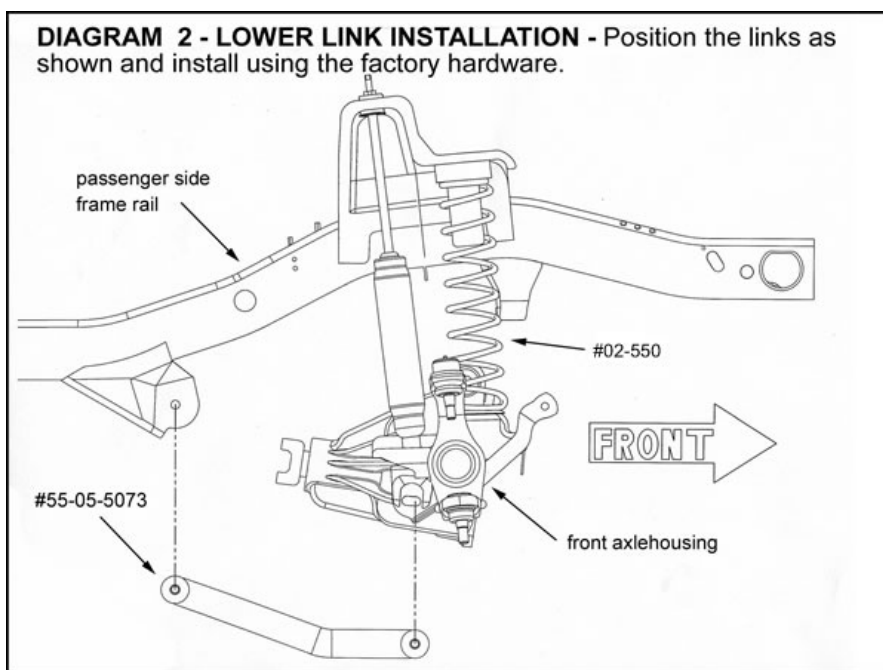


DIAGRAM 2 - LOWER LINK INSTALLATION - Position the links as shown and install using the factory hardware.

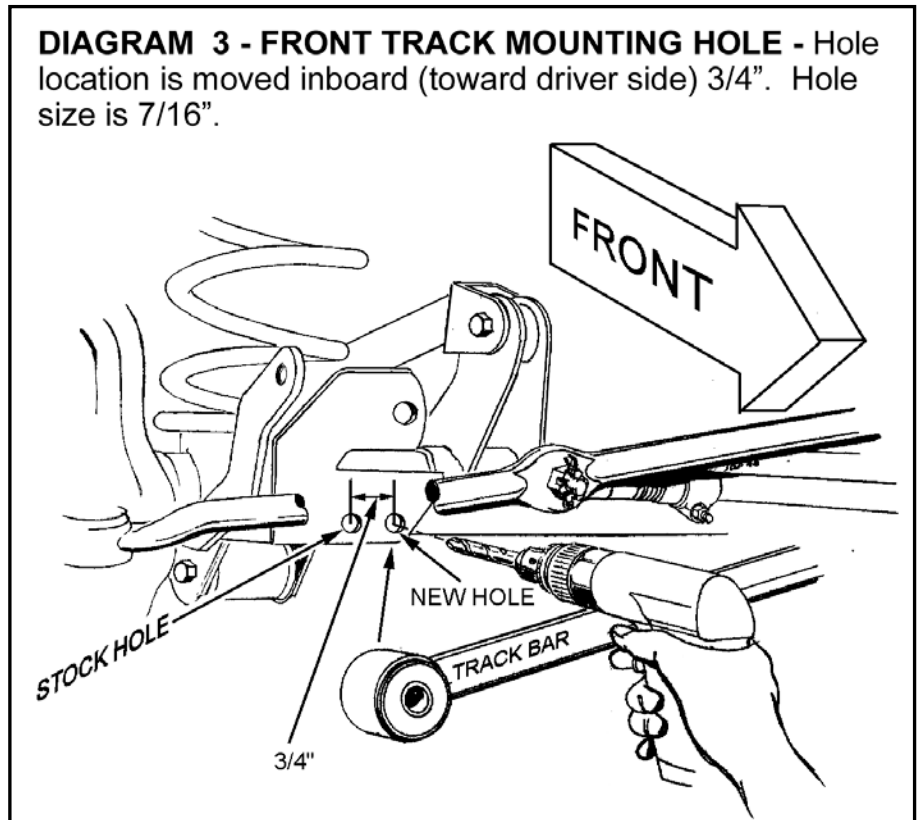


- ☐☐ With the lower half of the stem hardware in place, insert the top end of the shock through the hole in the factory shock tower. Install the other half of the hardware and tighten only until the bushings start to swell slightly. Install jam nut.
- ☐☐ Attach the lower end of the shock to the axle using the factory hardware (21).

12) TRACK BAR...

NOTE: If the optional Superlift adjustable track bar (#5070) has been purchased, install now per separate instructions.

- ☐☐ [DIAGRAM 3] Drill a new 7/16" diameter mounting hole in the track bar's axle bracket, where shown.
- ☐☐ Shift the axle assembly as necessary to align the track bar eye with the new hole. Insert the stock fastener and hand tighten only; the bolt will be fully tightened in a later step.



13) DRAG LINK

- ☐☐ Connect the drag link to the pitman, tighten nut (60), and install new cotter pin. If the castellations and the cotter pin do not align, tighten (do not loosen) the nut until they align.

14) ANTI-SWAY BAR LINKS:

(qty. 2) #55-09-5064 FOR FRONT ANTI-SWAY BAR LINK...

Note: If optional Superlift Quick Disconnect links are being used, install now per separate instructions.

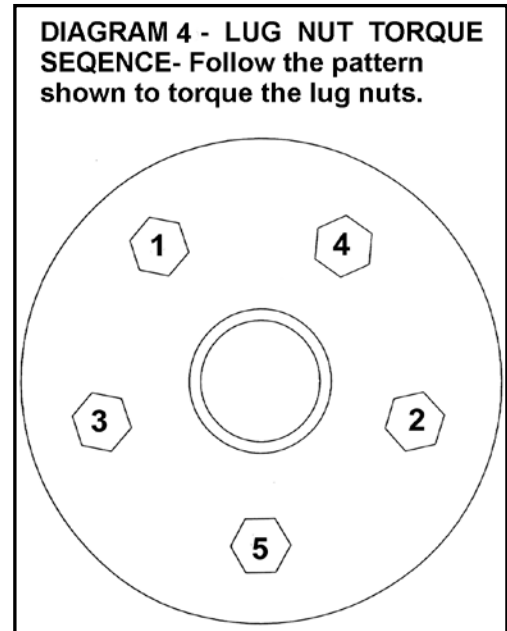
- ☐☐ Attach a #55-01-5067 bracket to each end of the sway bar body using a 3/8" x 1-1/2" bolt and nyloc nut (23). Insert the bolt facing up, and be sure the bracket legs are facing downward.
- ☐☐ Install the supplied bushings and sleeves into the eyes of each #55-09-5064 anti-sway bar link. Note that the smaller ID sleeve installs on the upper end of each link.
- ☐☐ Position the upper end of each link into the #55-01-5067 bracket and secure using the supplied 7/16" x 2-3/4" bolt (38). Note that the bolts should be installed from the outside.
- ☐☐ Slide the lower end of each link into the stock brackets on the axle and secure using the stock hardware. Tighten to factory specifications.

15) TIRES / WHEELS...

CAUTION: Before installing each wheel, be sure to remove any built-up corrosion on the wheel mounting surfaces. Ensure wheels are installed with good metal-to-metal contact. Improper installation could cause loosening of the wheel nuts. Never use oil or grease on lug studs or nuts.

- [DIAGRAM 4] All wheel nuts should be tightened just snug, then gradually tightened in sequence to the proper torque specification (80 to 110).
- With front of vehicle still on stands, and suspension “hanging” at full extension travel, turn steering lock-to-lock while checking components for proper operation and clearances.

Remove jack stands and lower vehicle to floor.



16) TIGHTEN the SUSPENSION COMPONENTS...

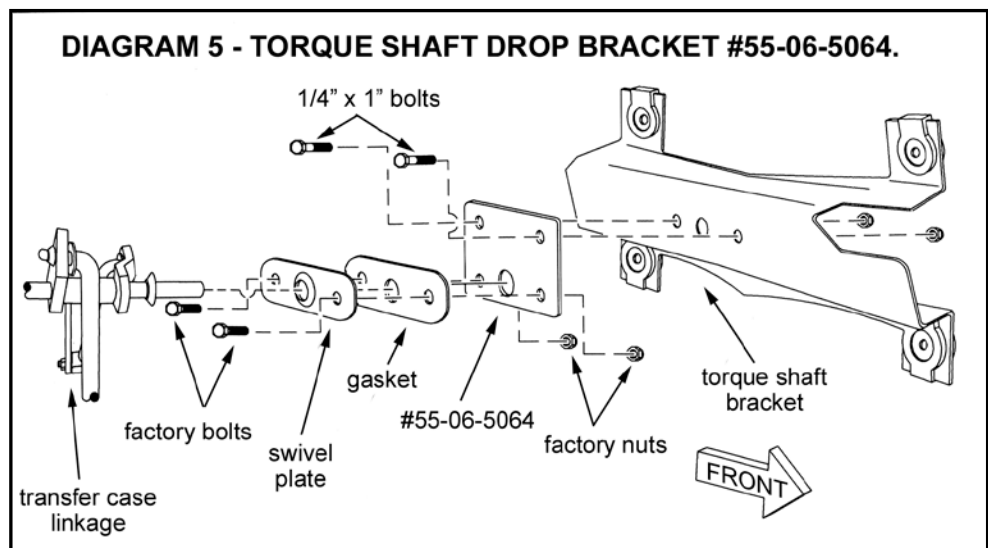
The suspension must be supporting the vehicle’s weight when these components are torqued:

- Lower link arm-to-axle cam bolt nut (85). Before tightening, match-up the alignment marks on the cams and axle brackets that were made in Step 6.
- Lower link arm-to-frame nut (130). Track bar-to-axle bolt (55).

17) TORQUE SHAFT BRACKET #55-05-5064...

The torque shaft bracket is part of the transfer case shifter assembly. This step prevents shifter bind after the case is lowered.

- [DIAGRAM 5] From under the vehicle, locate the torque shaft bracket. It is attached to the inside of the transmission tunnel and acts as a pivot for the transfer case shift lever. Remove the two bolts that attach the swivel plate-to-bracket. Also remove the swivel plate gasket.

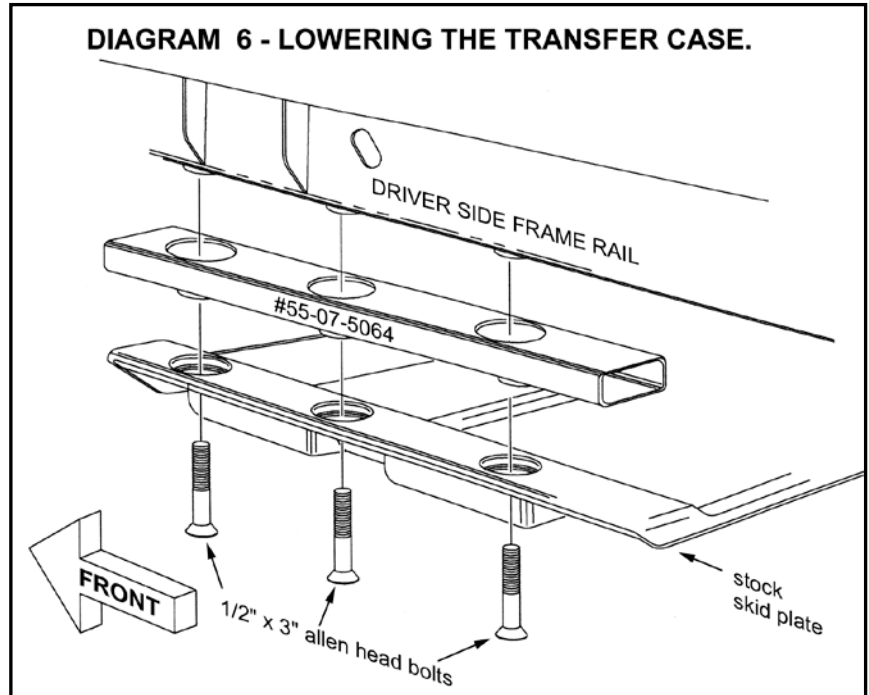


- Attach the swivel plate and gasket to the Superlift torque shaft bracket (#55-06-5064) using the supplied factory bolts and nuts (18).

- ❑ Insert the torque shaft through the swivel plate, then attach the “06” bracket to the factory torque shaft bracket as shown using the supplied 6mm x 20mm allen head bolts and nuts (18).

18) LOWERING the TRANSFER CASE: #55-07-5064 and #55-08-5064...

- ❑ [DIAGRAM 6] Position a jack beneath the driver side of the transfer case crossmember / skid plate, just inboard of the plate-to-frame mounting bolts. Load the jack so that it will support the plate's weight when the three bolts are removed. After removing the driver's side bolts, loosen (do not remove) the passenger's side plate-to-frame bolts.



- ❑ Lower the jack just enough to install the driver side drop bracket (#55-07-5064), and insert the new 1/2" x 3" Allen head bolts. Leave bolts loose so the other side can be installed.

- ❑ Relocate the jack to the passenger side and repeat the installation procedure for the #55-08-5064 bracket.

- ❑ Tighten all six plate bolts (31).

REAR DISASSEMBLY

19) SECURE VEHICLE...

- ❑ Raise rear of vehicle with a jack positioned at outboard ends and secure a jack stand beneath each frame rail, in front of the lower link arms. Ease the frame down onto the stands, but leave a slight load on the jack. Chock front tires. Remove rear tires.

20) SHOCK ABSORBERS...

- ❑❑ Disconnect and discard the factory shocks.

21) ANTI-SWAY BAR LINKS...

- ❑❑ On each side, disconnect the sway bar link from the axle bracket and the sway bar body.

22) TRACK BAR...

- ❑ Before removing the bar, mark the driver and passenger end to aid in reassembly. The plastic shield that covers the driver / axle end of the bar is not reused.

- Position the Superlift compression stop spacer between the tower and mounting cup and install the new 10mm x 100mm bolt (30). Reinstall the factory rubber compression stop into the mounting cup.

29) SUPERLIFT COIL SPRINGS #551...

On each side, position the coil spring on the axle pad. It may be necessary to loosen the lower links' front and rear eye bolts so the axle can drop enough for coil installation.

- Raise the axle until the springs seat in their upper mounts. Do not forget the stock coil gaskets for the top of the coils.
- After both coils are in place, jack up the axle assembly until the springs are seated. Be sure the frame rails remain on the jack stands.

30) TRACK BAR...

- Install the track bar. Reuse the factory fasteners at both ends. Hand tighten only; both bolts are fully tightened in a later step. It may be necessary to pry the axle assembly over in order to connect the bar.

31) ANTI-SWAY BAR LINKS: (qty. 2) #55-10-5064 REAR ANTI-SWAY BAR LINK...

Note: If optional Superlift Quick Disconnect Links are being used, install now per separate instructions.

- Install the supplied bushings and sleeves in the eyes of each #55-10-5064 anti-sway bar link.
- Position the ends of each link in the stock brackets on the axle and the frame, then secure using the stock hardware. Tighten to factory specifications.

32) SUPERLIFT SHOCKS...

- Install shock boot and decal.
- Position shock and tighten the two upper bolts (23) and the single lower bolt (74).

33) TIRES / WHEELS...

CAUTION: Before installing each wheel, be sure to remove any built-up corrosion on the wheel mounting surfaces. Ensure wheels are installed with good metal-to-metal contact. Improper installation could cause loosening of the wheel nuts. Never use oil or grease on lug studs or nuts.

- [DIAGRAM 4] All wheel nuts should be tightened just snug, then gradually tightened in sequence to the proper torque specification (80 to 110).
- With front of vehicle still on stands, and suspension "hanging" at full extension travel, check all components for proper operation and clearances.

Remove jack stands and lower vehicle to floor.

34) **TIGHTEN the SUSPENSION COMPONENTS...**

The suspension must be supporting the vehicle's weight when these components are torqued:

- Track bar, both ends (74)
- Lower link arm, both ends (130)
- Upper link arm, frame end (55)
- Upper link arm, axle (cam bolt) end (85)

NOTE: Prior to torquing the cam bolts, again use the inclinometer to take a rear driveshaft angle reading, and compare this to the reading taken in Step 1. Rotate the cam bolts as needed to get shaft angle as close to the Step 1 reading as possible. This will minimize or eliminate shaft vibration due to excessive angle. The 12 O'clock position that the cams were initially adjusted to in Step 26 yields the least amount of angle. It is important that both cams are adjusted identically. To reduce vibration under acceleration, rotate the cams to move the pinion bearing downward. To reduce vibration under deceleration, rotate the pinion bearing upward.

35) **HEADLIGHTS...**

- Readjust headlights to factory setting.

36) **FINAL OVERALL INSPECTION and TORQUE CHECK...**

- Perform a front-to-rear inspection. With the suspension supporting vehicle weight, cycle steering lock-to-lock and inspect steering, suspension, driveline, and brake systems for proper operation, tightness, and adequate clearances. Retorque all fasteners.

37) **TRANSMISSION SHIFTER MODIFICATION...**

This step is only necessary if the vehicle exhibits problems shifting after the lift installation is complete.

- Test drive the vehicle and shift through all gears. If it is difficult to shift into (or the transmission jumps out of) Second, Fourth, or Reverse, the shifter is likely hitting the edge of the transmission tunnel due to the transfer case drop and will need to be modified slightly.
- Set the parking brake on the vehicle and put the transmission in neutral. Remove the shift knob and upper shifter boot. Shift the transfer case lever into neutral and remove the console, lower shift boot, and dust boot.
- Remove the shifter from the transmission following the procedure found in the factory service manual.
- [DIAGRAM 8] Disassemble the shifter according to the diagram. Place the lower portion of the shifter in a vice or press and bend it slightly (about 3 degrees) at the point shown. It will be necessary to heat the shifter with a torch in order to bend it in most cases. Do not heat the shifter excessively, and do not bend it more than necessary.
- Reassemble the shifter and install it by reversing the steps followed for disassembly.

38) SUPERLIFT NAME BADGE...

The system includes one 2" x 5" name badge (#0034). Additional and / or larger badges are available from Superlift or a Superlift dealer. We suggest putting the badges on the front fenders, tailgate, or rear window. The badge mounts by means of factory applied, double-backed tape. Follow these instructions to ensure that badge sticks properly:

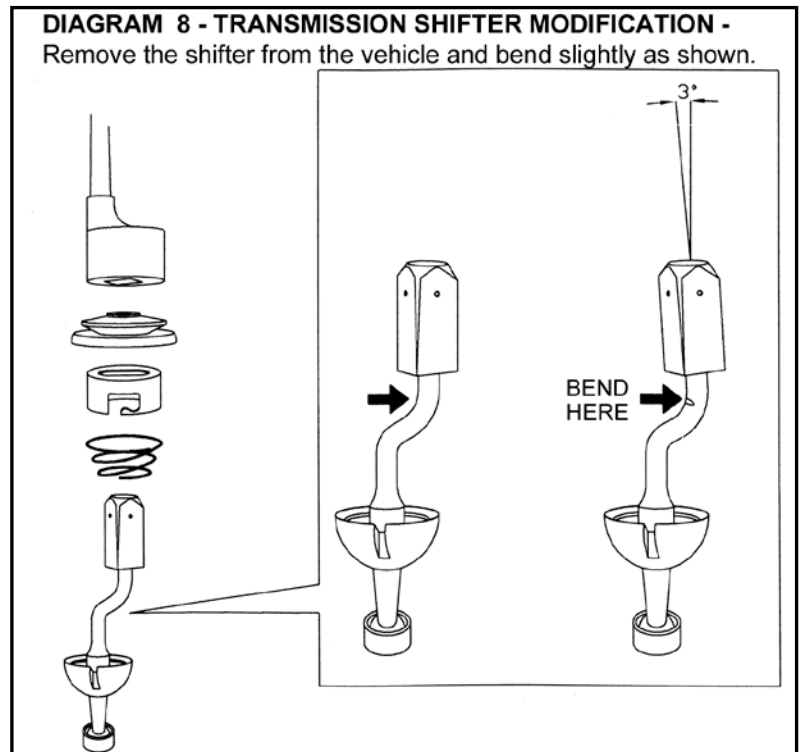
- Clean designated area with warm, soapy water. Rinse and wipe dry with a soft, lint free towel.
- Thoroughly prep the area with the furnished alcohol wipe pad and wipe dry with a soft, lint free towel. Do not touch the surface again with your hands; they transfer body oils.
- Remove mounting tape backing, line up badge, and press in place. Do not touch mounting tape or allow tape to get dirty.
- Press firmly on the badge face and hold a few seconds to seat mounting tape.
- A superior adhesive bond forms over time. We recommend allowing 24 hours of cure time before washing and waxing. The emblem itself can be cleaned with any glass cleaner.

39) SAFETY DECAL...

- Install "Warning to Driver" decal. Refer to the "NOTICE TO DEALER AND VEHICLE OWNER" section below.

40) ALIGNMENT...

- Realign vehicle to factory specifications.



Limited Lifetime Warranty / Warnings

Your Superlift® product is covered by the Limited Warranty explained below that gives you specific legal rights. This limited warranty is the only warranty Superlift® makes in connection with your product purchase. Superlift® neither assumes nor authorizes any retailer or other person or entity to assume for it any other obligation or liability in connection with this product or limited warranty.

What is covered? Subject to the terms below, Superlift® will repair or replace its products found defective in materials or workmanship for so long as the original purchaser owns the vehicle on which the product was originally installed. Your warrantor is LKI Enterprises, Inc. d/b/a Superlift® Suspension Systems ("Superlift®").

What is not covered. Your Superlift® Limited Warranty does not cover products, parts or vehicles Superlift®

determines to have been damaged by or subjected to:

- Alteration, modification or failure to maintain.
- Normal wear and tear (bushings, tie-rod ends, etc.). Scratches or defects in product finishes (powdercoating, plating, etc.),
- Damage to or resulting from vehicle's electronic stability system, related components or other vehicle systems.
- Racing or other vehicle competitions or contests. Accidents, impact by rocks, trees, obstacles or other aspects of the environment.
- Theft, vandalism or other intentional damage.

Remedy Limited to Repair / Replacement. The exclusive remedy provided hereunder shall, upon Superlift's inspection and at Superlift's option, be either repair or replacement of product or parts covered under this Limited Warranty. Customers requesting warranty consideration should contact Superlift® by phone to obtain a Returned Goods Authorization number. All removal, shipping and installation costs are customer's responsibility.

If a replacement part is needed before the Superlift® part in question can be returned, you must first purchase the replacement part. Then, if the part in question is deemed warrantable, you will be credited / refunded.

Other Limitations - Exclusion of Damages - Your Rights Under State Law

- Neither Superlift® nor your independent Superlift® dealer are responsible for any time loss, rental costs, or for any incidental, consequential or other damages you may have.
- This Limited Warranty gives you specific rights. You may also have other rights that vary from state to state. For example, while all implied warranties are disclaimed herein, any implied warranty required by law is limited to the terms of our Limited Lifetime Warranty as described above. Some states do not allow limitations of how long an implied warranty lasts and / or do not allow the exclusion or limitation of incidental or consequential damages, so the limitations and exclusions herein may not apply to you.

Important Product Use and Safety Information / Warnings

As a general rule, the taller a vehicle is, the easier it will roll over. Offset, as much as possible, what is lost in rollover resistance by increasing tire track width. In other words, go "wide" as you go "tall". Many sportsmen remove their mud tires after hunting season and install ones more appropriate for street driving; always use as wide a tire and wheel combination as feasible to enhance vehicle stability. We strongly recommend, because of rollover possibility, that the vehicle be equipped with a functional roll bar and cage system. Seat belts and shoulder harnesses should be worn at all times. Avoid situations where a side rollover may occur.

Generally, braking performance and capabilities are decreased when significantly larger / heavier tires and wheels are used. Take this into consideration while driving. Also, changing axle gear ratios or using tires that are taller or shorter than factory height will cause an erroneous speedometer reading. On vehicles equipped with an electronic speedometer, the speed signal impacts other important functions as well. Speedometer recalibration for both mechanical and electronic types is highly recommended.

Do not add, alter, or fabricate any factory or aftermarket parts to increase vehicle height over the intended height of the Superlift product purchased. Mixing component brands is not recommended.

All Superlift® material is copyrighted. All images found in this catalog and in any Superlift® marketing forums are the sole property of or licensed to Superlift®. Any reproduction of said materials, in part or in whole, without the express written permission of Superlift® is strictly forbidden. Superlift®, Rockrunner™, Swamprunner™, Superlide™, Superlide SS™ and SSR™, Black Diamond®, XCL™, X2™ Super Trac™, Torque Max™, Torque Max SS™, eXtreme Ring™, Rail Wrap™, Bullet Proof Brake Hose™, TruSpeed™, Frame Integrated Technology™, F.I.T. Series™ and Rock Fink™ are registered trademarks of Superlift® Suspension Systems. Superlift® Suspension Systems is a Division of Bret Lovett's Lift Kits Incorporated.