



SUPERLIFT®

S U S P E N S I O N

SUPERLIFT® 3.5" [Lift Kit](#) for 2007 - 2015 GM K1500 INSTALLATION INSTRUCTIONS

INTRODUCTION

Installation requires a professional mechanic. The overall vehicle must be in excellent working condition; repair or replace all worn parts.

Read instructions several times before starting. Be sure you have all needed parts and know where they install. Read each step completely as you go.

NOTES:

- Prior to beginning the installation, check all parts and hardware in the box with the parts list below. If you find a packaging error, contact Superlift® directly. Do not contact the dealer where the system was originally purchased. You will need the control number from each box when calling; this number is located at the bottom of the part number label and to the right of the bar code.
- Front end alignment is necessary.
- An arrow on diagrams indicates which direction is toward the front of the vehicle.
- A foot-pound torque reading is given in parenthesis () after each appropriate fastener.
- Do not fabricate any components to gain additional suspension height.
- Prior to drilling or cutting, check behind the surface being worked on for any wires, lines, or hoses that could be damaged.
- After drilling, file smooth any burrs and sharp edges.
- Prior to attaching components, be sure all mating surfaces are free of grit, grease, excessive undercoating, etc.
- A factory service manual should be on hand for reference.
- Use the check-off box "☐" found at each step to help you keep your place. Two "☐☐" denotes that one check-off box is for the driver side and one is for the passenger side. Unless otherwise noted, always start with the driver side.

PARTS LIST ... The part number is stamped into each part or printed on an adhesive label. Identify each part and place the appropriate mounting hardware with it.

Step	Part Number	Qty. per Kit	Description	Qty. per Bracket	New Attaching Hardware	Hardware Bag Number
	55-01-3600	1	upper control arm, driver	1	1/4" x 1/2" self tapping bolt	77-3600
	or					
	55-01-3700					
	55-02-3600	1	upper control arm, passenger	1	1/4" x 1/2" self tapping bolt	77-3600
	or					
	55-02-3700					
	55-03-3600	2	upper strut spacer	6	10mm flange nut	77-3600
	55-04-3600	1	differential skid plate	2	1-26-7055 - 1" OD x 1/2" thick spacer	77-3600
				2	10mm x 35mm bolt	
				2	3/8" ubolt washer	
	55-05-3600	2	differential spacer, front	2	12mm x 120mm bolt	77-3600
				2	12sw	
	55-06-3600	2	differential spacer, rear	2	10mm x 65mm bolt	77-3600
	028	2	blocks, rear	4	9/16" x 2-1/2" x 10-1/2" ubolts	77-1509
				8	9/16" hi nut	
				8	9/16" ubolt washer	
	01-85150	2	shock absorber, rear	4	shock eye bushing	77-80033
				4	3/4" SAE washer	
				4	shock eye sleeve	

Kit Part Number 3600			Kit Part Number 77-1509		
Part Number	Qty.	Description	Part Number	Qty.	Description
55-01-3600	1	upper control arm, driver	1511-B09	8	9/16" hi nut
55-02-3600	1	upper control arm, passenger	916CW	8	9/16" ubolt washer
55-03-3600	2	upper strut spacer			
55-04-3600	1	differential skid plate	Kit Part Number 77-80033		
55-05-3600	2	differential spacer, front	Part Number	Qty.	Description
55-06-3600	2	differential spacer, rear	01-60418	4	shock eye bushing
028	2	blocks, rear	34SW	4	3/4" SAE washer
10462	4	9/16" x 2-1/2" x 10-1/2" ubolts	39-3480	4	shock eye sleeve
01-85150	2	shock absorber, rear			
77-3600	1	hardware bag	Kit Part Number 88-3600		
77-1509	1	hardware bag, ubolts	Part Number	Qty.	Description
77-80033	1	hardware bag, shocks	0034	1	badge
88-3600	1	instruction bag	0046	2	shock decal
Kit Part Number 77-3600			1112CT	2	cable tie
Part Number	Qty.	Description	00461	1	warning to driver decal
12MX1.75X120CS	2	12mm x 120mm bolt	FORM#3600	1	instruction sheet
12SW	2	1/2" SAE washer			
10MX1.5X65CS	2	10mm x 65mm bolt			
10MFN	6	10mm flange nut			
10MX1.5X35CS	2	10mm x 35mm bolt			
38UW	2	3/8" ubolt washer			
14X12STB	2	1/4" x 1/2" self tapping bolt			
1-26-7055	2	1" OD x 1/2" thick spacer			

FRONT DISASSEMBLY

NOTE: Save all factory components and hardware for reuse, unless noted.

1) PREPARE VEHICLE...

- Place vehicle in neutral. Raise front of vehicle with a jack and secure a jack stand beneath each frame rail, behind the lower control arms. Ease the frame down onto the stands, place transmission in low gear or “park”, and chock rear tires. Remove front tires.

- Disconnect the battery.

- Remove front splash guard and skid plates.

2) LOWER CONTROL ARM BOLTS...

- Loosen the two control arm bolts.

3) TIE ROD ENDS...

- Remove the nuts securing the tie rod ends to the knuckle. Using the appropriate puller tool, separate the tie rod end from the knuckle.

4) ANTI-SWAY BAR LINKS...

- Measure and record the amount of exposed threads above the nut on the anti-sway bar link. On each side, loosen and remove the bushings and hardware attaching the anti-sway bar link to bar body and the lower control arm.

5) STRUT REMOVAL...

- Support the lower control arm with a jack.

- Mark the location of each strut (driver and passenger side) as well as the outermost stud of each strut for later reference during re-assembly.

- Remove the two bolts securing the strut to the lower control arm, followed by the three nuts securing the strut to the frame. Remove the strut while taking precautions not to damage any other vehicle components.

6) CONTROL ARM...

- Mark the position of the alignment cam bolt washers on the frame.

- Disconnect the brake line bracket from the upper control arm.

- With the control arm still supported with a jack. Remove the upper ball joint nut and, using the appropriate puller tool, separate the upper control arm ball joint from the knuckle. **NOTE:** Support the steering knuckle so the inner CV joint does not dislodge from the socket.

- Remove the upper control bolts and remove the upper control arm from the vehicle.

FRONT ASSEMBLY

7) CONTROL ARM...

[Illustration 1] Install the new upper control arm in the frame using the factory hardware. Do not tighten at this time.

8) STRUT SPACERS...

WARNING: Extreme care must be taken during the following steps. The struts have a tremendous amount of energy stored in them and can cause serious injury or even death if an attempt is made to work on them without the proper tools. Dis-assembly / assembly of the struts can only be performed by a qualified professional with the special equipment designed for this task. If necessary, the struts can be taken to a shop with the proper equipment to have the necessary work performed.

NOTE: A factory service manual should be on hand for reference. Perform the strut assembly and installation one side at a time.

Place the strut assembly in a heavy-duty strut compressor and compress the coil spring enough to unload the shock.

Rotate the shock body 180 degrees, then carefully unload the coil.

Rotate the shock body 180 degrees, then carefully unload the coil.

[Illustration 2] Attach the strut spacer bracket (#55-03-3600) to the top of the strut assembly using supplied 10mm flange nuts. Tighten the flange nuts (40).

Note the outermost stud on the strut that was marked during removal now points to the inside of the vehicle. Slide the strut assembly through the upper control arm and locate the upper end of the assembly in the frame mount properly. Secure the upper end of the assembly using the factory hardware. Do not tighten at this time.

Attach the lower end of the strut to the lower control arm using the factory hardware in the forward hole and the supplied 10mm x 65mm bolt in the rearward hole.

Tighten the 10mm hardware at the top (45) and the factory hardware at the bottom (40) of the strut assembly.

Illustration 1

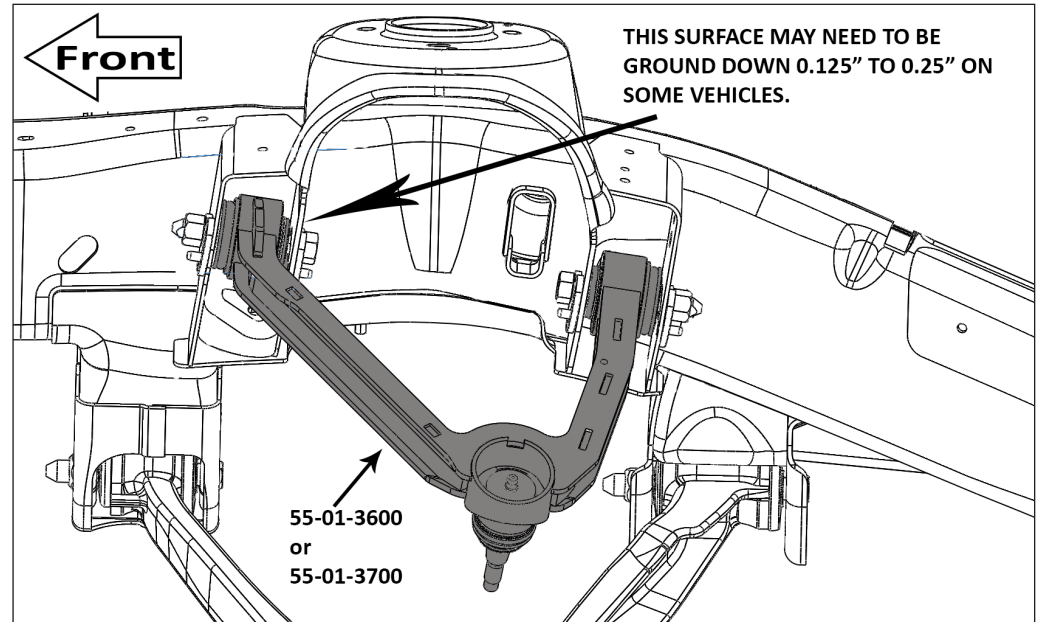
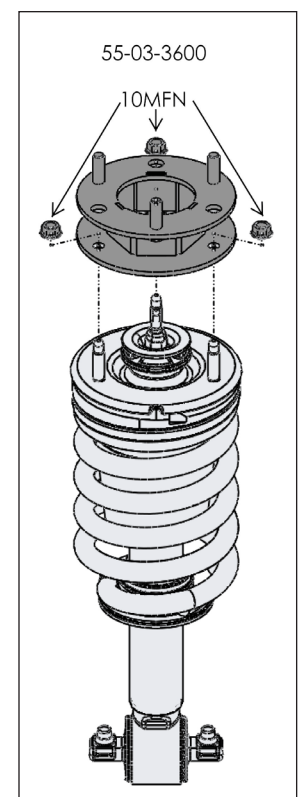


Illustration 2



9) CONTROL ARM...

☐☐ Connect the new control arm to the steering knuckle using the supplied castle nut and cotter pin.

☐☐ Connect the factory brake line bracket to the upper control arm with the supplied 1/4" self-tapping bolt.

Note: The bracket may need to be bent slightly to start the bolt; it can be bent back to the original position once the bolt is tightened.

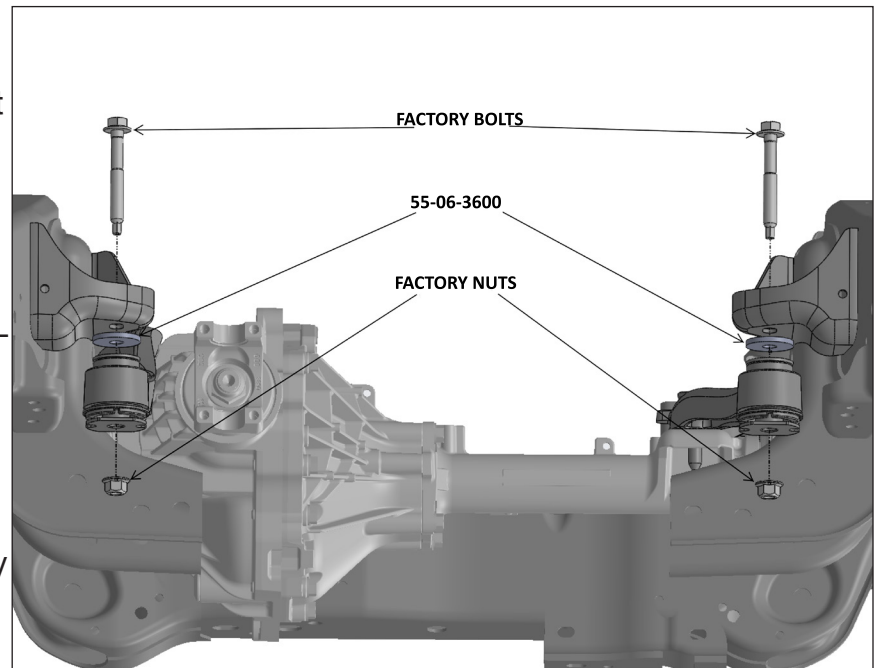
10) TIE ROD ENDS...

☐☐ Attach the tie rod end to the knuckle using the factory nut and tighten (44).

11) ANTI-SWAY BAR LINKS...

☐☐ Reattach the anti-sway bar links to the lower control arm and the anti-sway bar body. Tighten until the exposed thread dimension previously recorded is reached.

Illustration 3



2WD INSTALLERS SKIP TO STEP 15

12) REAR CROSSMEMBER and DIFFERENTIAL SPACERS...

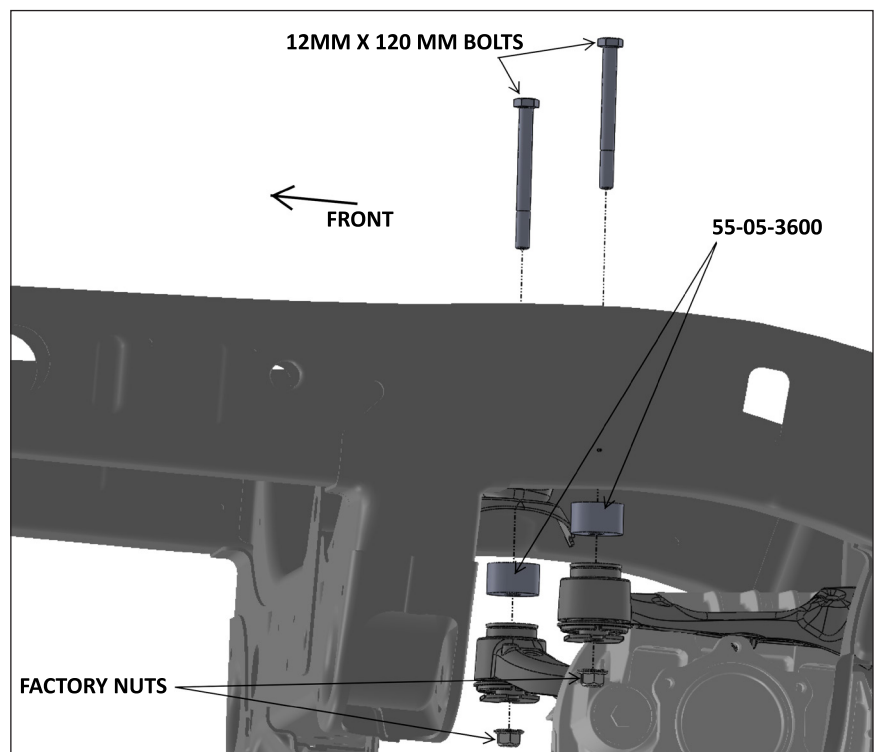
☐☐ Mark on the rear crossmember the spot where the front differential is the closest to the rear crossmember.

☐☐ Remove the rear crossmember. Support the differential with a jack and remove the rear differential bolts.

☐☐ [Illustration 3] Carefully lower the differential enough to install the new thin spacers (#55-06-3600) between the frame and the differential mount and secure using the supplied 10mm x 65mm bolts; do not tighten at this time.

☐☐ [Illustration 4] Remove the front differential bolts and lower the differential down to enough to install the thick spacers (#55-05-3600) between the frame and the differential mount and

Illustration 4



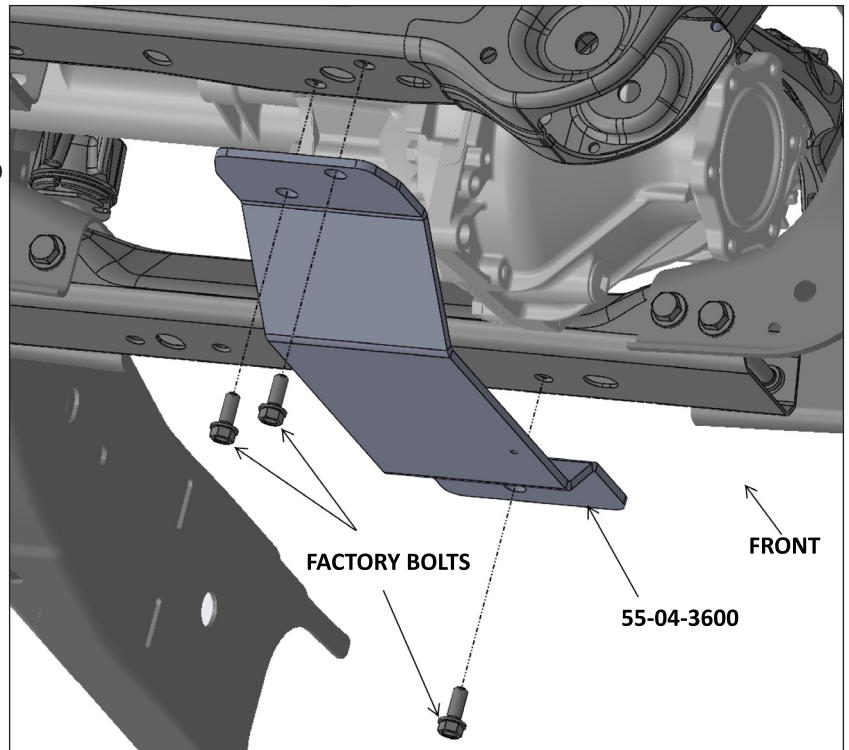
secure the supplied 12mm bolts and factory nuts; do not tighten at this time.

□□ Tighten the rear differential bolts and then the front. (75) It is important to tighten the rear differential bolts first to ensure proper alignment of the differential.

□□ Using the marks made earlier on the rear crossmember as a guide, use a hammer to form a slight depression in the crossmember to allow for clearance around the differential. The depression should be about 1/8" deep.

□□ Reinstall the rear crossmember using the factory hardware. (154). Make sure the differential is no closer than 1/8" from the factory rear crossmember.

Illustration 5



13) SKID PLATE (2007-2013 Year Models)...

□ [Illustration 5] Reuse the factory 10mm bolts removed from the upper splash shield and secure the skid plate to the frame. The new skid plate uses one bolt in the front and one in the rear. (40)

□ Reinstall the plastic splash guard by using the factory hardware at the top and the supplied 10mm x 35mm bolts at the bottom. (30)

14) SKID PLATE (2014 and Newer Year Models)...

□ [Illustration 5] Reuse the factory 10mm bolts removed from the upper splash shield and secure the skid plate to the frame. (40)

□ Install the factory passenger side skid plate; placing the supplied spacers (#1-26-7055) between the skid plate and the crossmember. Secure using the supplied 10mm x 35mm bolts. (40)

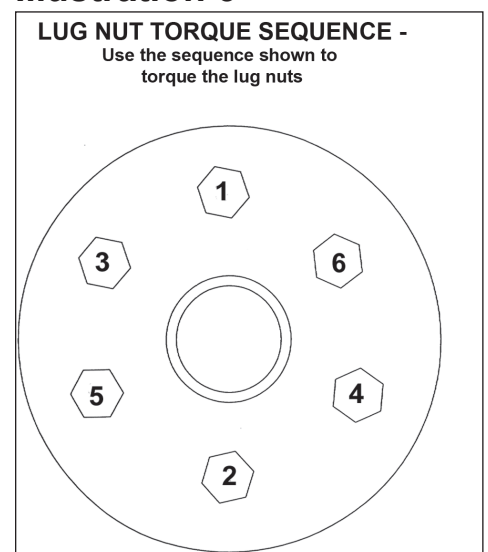
□ Reinstall the plastic splash guard by using the factory hardware; only one bolt will be used to attach it to the driver's side skid plate. (30).

15) TIRES / WHEELS...

□ [Illustration 6] Reinstall the tires and wheels. Tighten the lug nuts (95) in the sequence shown.

WARNING: When the tires / wheels are installed, always check for and remove any corrosion, dirt, or foreign material on the wheel mounting surface, or anything that contacts the wheel mounting surface (hub, rotor, etc.). Installing wheels without the proper metal-to-metal contact at the wheel mounting surfaces can cause the lug nuts to loosen and the wheel to come off while the vehicle is in motion.

Illustration 6



WARNING: Retighten lug nuts at 500 miles after any wheel change, or anytime the lug nuts are loosened. Failure to do so could cause wheels to come off while vehicle is in motion.

16) INITIAL CLEARANCE CHECK...

With the vehicle still on jack stands, and the suspension “hanging” at full extension travel, check all components for proper operation and clearances. Pay special attention to clearance between the tires / wheels and brake hoses, driveshaft, etc.

Lower vehicle to the floor.

REAR DISASSEMBLY

17) PREPARE VEHICLE...

Place vehicle in neutral. Raise rear of vehicle with a jack and secure a jack stand beneath each frame rail, in front of the rear link arms. Ease the frame down onto the stands, place transmission in low gear or “park”, and chock rear tires. Place jack under axle and raise. Remove rear tires.

18) UBOLTS...

Remove spring to axle U-bolts and move axle several inches away from springs.

Clean spring pads of all debris.

REAR ASSEMBLY

19) BLOCK AND UBOLTS...

Position the Superlift block on top of the factory block, then using the floor jack(s), mate the springs to the blocks, be sure that the center bolt heads seat properly. Install the new Superlift U-bolts and factory U-bolt plate. Evenly torque the U-bolts using an “X” tightening sequence (85).

20) SHOCK ABSORBERS...

Install the rear shock absorbers. Position a supplied 3/4” SAE washer at the top and bottom of the shock on the inside of the bracket and tighten the upper and lower bolts (76).

21) TIRES / WHEELS...

[Illustration 6] Reinstall the tires and wheels. Tighten the lug nuts (95) in the sequence shown.

WARNING: When the tires / wheels are installed, always check for and remove any corrosion, dirt, or foreign material on the wheel mounting surface, or anything that contacts the wheel mounting surface (hub, rotor, etc.). Installing wheels without the proper metal-to-metal contact at the wheel mounting surfaces can cause the lug nuts to loosen and the wheel to come off while the vehicle is in motion.

WARNING: Retighten lug nuts at 500 miles after any wheel change, or anytime the lug nuts are loosened. Failure to do so could cause wheels to come off while vehicle is in motion.

22) CLEARANCE CHECK...

With the vehicle still on jack stands, and the suspension “hanging” at full extension travel, check all components for proper operation and clearances. Pay special attention to the clearance between the

tires / wheels and brake hoses, wiring, etc.

- Lower vehicle to the floor.

23) FOUR WHEEL DRIVE...

- Activate four wheel drive system and check front hubs for engagement.

24) HEADLIGHTS...

- Readjust headlights to proper setting.

25) SUPERLIFT WARNING DECAL...

- The WARNING TO DRIVER decal installs on the inside of the vehicle within the driver's view. Prior to installation, pre-clean the surface with the supplied alcohol cleaning pad.

26) SUPERLIFT BADGES...

- This kit is packaged with a Superlift badge. Prior to installation, use the supplied alcohol pad to eliminate all soap and or other non-adhering residues that may impair adhesion, thoroughly clean the entire area of placement.
- Remove the adhesive back and place small badge in the desired location. The adhesive on our badges is pressure sensitive and must be applied using pressure on all areas of the graphic. Like any PSA (pressure sensitive adhesive), it can take up to 72 hours for the adhesive to fully cure. Once the badge is in place do not peel it up, this will diminish the adhesive properties and could result in damaging the badge itself
- To keep your Superlift badge in "like new" appearance keep the badge free/clear of solvents and chemicals that could cause the adhesive to dry or dissolve. This includes gasoline, diesel fuel, paint thinner, and alcohol. Soap and water is all that is needed for cleaning. Degreasers can be used sparingly and hand wiped/applied if needed, although not suggested.

Superlift, LLC, Limited Lifetime Warranty

What is covered? Subject to the terms below, Superlift® will repair or replace its products found defective in materials or workmanship for so long as the original purchaser owns the vehicle on which the product was originally installed. Your warrantor is Superlift, LLC, doing business as Superlift® Suspension Systems ("Superlift®").

What is not covered? Your Superlift® Limited Warranty does not cover products Superlift® determines to have been damaged by or subjected to:

- Alteration, modification or failure to maintain.
- Normal wear and tear (bushings, rod ends, etc.). Scratches or defects in product finishes (powder coating, plating, etc.).
- Damage to, or resulting from, the vehicle's electronic stability system, related components or other vehicle systems.

- Racing or other vehicle competitions or contests. Accidents, impact by rocks, trees, obstacles or other aspects of the environment.
- Theft, vandalism or other intentional damage.

Remedy Limited to Repair or Replacement. The exclusive remedy provided hereunder shall, upon Superlift's inspection and at Superlift's option, be either repair or replacement of the product covered under this Limited Warranty. Customers requesting warranty consideration should contact Superlift® by phone to obtain a Returned Goods Authorization number. All removal, shipping and installation costs are customer's responsibility.

If a replacement part is needed before the Superlift® part in question can be returned, you must first purchase the replacement part. Then, if the part in question is deemed warrantable, you will be credited / refunded.

Other Limitations - Exclusion of Damages - Your Rights Under State Law

- Neither Superlift® nor your independent Superlift® dealer are responsible for any time loss, rental costs, or for any incidental, consequential or other damages you may have.
- This Limited Warranty gives you specific rights, and this is the only warranty Superlift® makes in connection with your product purchase. You may also have other rights that vary from state to state. For example, while all implied warranties are disclaimed herein, any implied warranty required by law is limited to the terms of our Limited Lifetime Warranty as described above. Some states do not allow limitations of how long an implied warranty lasts and / or do not allow the exclusion or limitation of incidental or consequential damages, so the limitations and exclusions herein may not apply to you. Superlift® neither assumes nor authorizes any retailer or other person or entity to assume for it any other obligation or liability in connection with this product or Limited Warranty.

Superlift, LLC, Satisfaction Guarantee

We want you to purchase our product with confidence and be 100% satisfied with the end result. If you have any legitimate issue, and Superlift® cannot rectify it to your satisfaction, Superlift® will take back the Superlift® brand product and refund the customer 100% of the product purchase price.

The details:

- Offer valid to the original retail consumer for six months after product purchase.
- May require a Superlift® dealer's participation in order to assist in "troubleshooting" the issue.
- Any costs related to labor, freight, incidental or consequential are not refunded.
- Refund will not exceed Superlift's® published retail price.

Important Product Use and Safety Information / Warnings

As a general rule, the taller a vehicle is, the easier it will roll over. Offset, as much as possible, what is lost in rollover resistance by increasing tire track width. In other words, go "wide" as you go "tall"; always use as wide a tire and wheel combination as feasible to enhance vehicle stability. We strongly recommend, because of rollover possibility, that the vehicle be equipped with a functional roll bar and cage system. Seat belts and

shoulder harnesses should be worn at all times. Avoid situations where a side rollover may occur. Generally, braking performance and capabilities are decreased when significantly larger / heavier tires and wheels are used. Take this into consideration while driving. Also, changing axle gear ratios or using tires that are taller or shorter than factory height will cause an erroneous speedometer reading. On vehicles equipped with an electronic speedometer, the speed signal impacts other important functions as well. Speedometer recalibration for both mechanical and electronic types is highly recommended. Do not add, alter, or fabricate any factory or aftermarket parts to increase vehicle height over the intended height of the Superlift® product purchased. Mixing component brands is not recommended.