

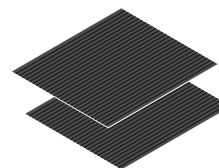
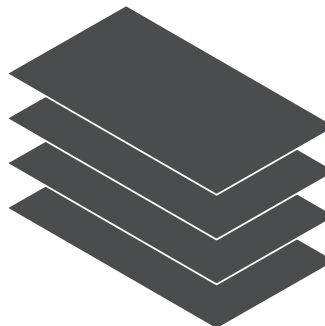
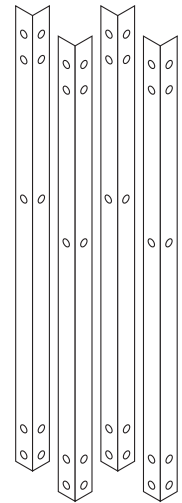
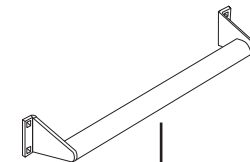
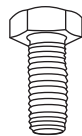
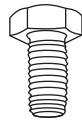
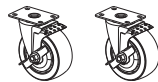
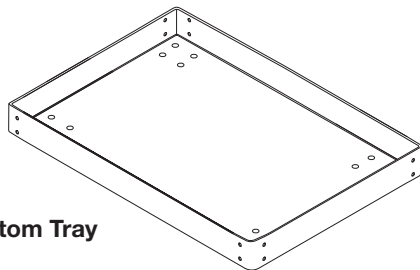
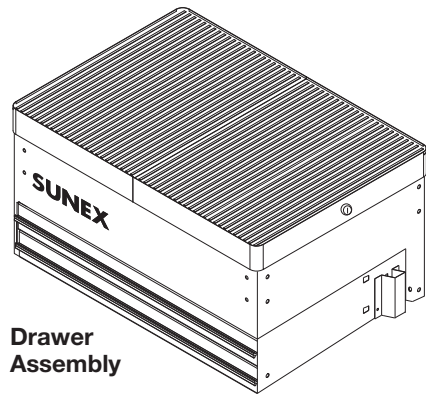
#### WARNINGS, ASSEMBLY INSTRUCTIONS & PARTS BREAKDOWN



Read and follow all instructions in User's Manual. It is the responsibility of the owner to make sure all personnel read this manual prior to using the device. It is also the responsibility of the device owner to keep this manual intact and in a convenient location for all to see and read. If the manual or product labels are lost or not legible, contact Sunex Tools<sup>®</sup> for replacements. If the operator is not fluent in English, the product and safety instructions shall be read and discussed with the operator in the operator's native language by the purchaser/owner or his designee, making sure that the operator comprehends its contents.

#### PARTS LIST

Examine box contents, then proceed with the following instructions.



#### ! WARNING

Read and follow all instructions in User's Manual. • Do not load carts beyond rated capacity (450 lbs.) • Lock lid and drawers before moving. • Apply brake on locking casters anytime cart is in place. • Units can tip or fall causing damage or personal injury. • Cart is designed to roll easily on flat surfaces and should not be used on uneven or inclined surfaces. • Do not open more than one loaded drawer at a time. • Do not stand on or step in drawers. • Keep children away from unit. • Wear gloves when lifting edges. • Failure to heed these warnings may result in personal injury and/or property damage.



**WARNING:** This product can expose you to chemicals including nickel, which is known to the State of California to cause cancer and birth defects or other reproductive harm.

#### TOOLS NEEDED



## ASSEMBLY INSTRUCTIONS

### Step 1: Assembly Preparation

Remove all contents from box. Reference the parts list to make sure you have all the parts.

#### CAUTION

Verify your tabletop or workbench can support 150 lbs. (68 kg.). Failure to follow this warning could result in damage to property or personal injury.

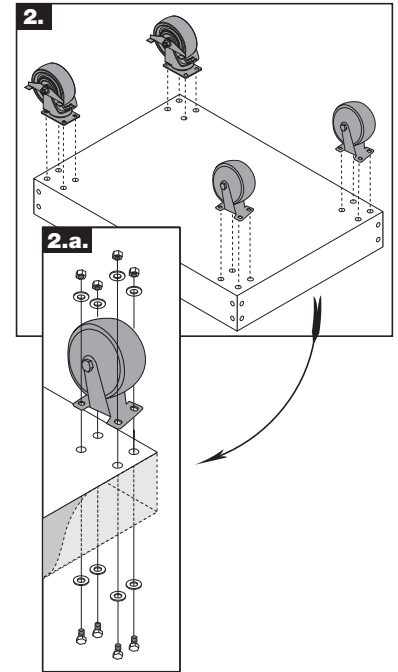
#### NOTE

Cover table or workbench to prevent any damage to surface.

### Step 2: Attaching Casters

Turn bottom tray (#7) upside down. Align holes in locking casters (#9) and fixed wheels (#8) with matching holes in the bottom tray as shown in figure 2.a. Attach with bolts, washers, and nuts from caster bolt kit and hand tighten.

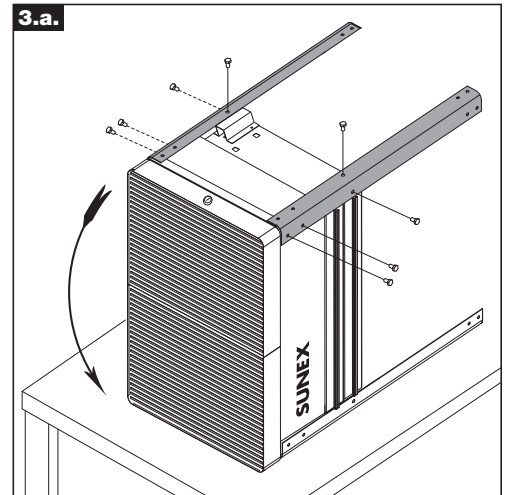
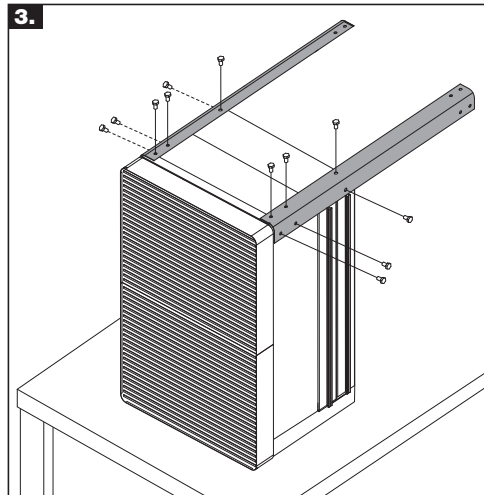
**NOTE:** Ensure that both locking casters are on same end of the cart.



### Step 3: Aligning the Legs

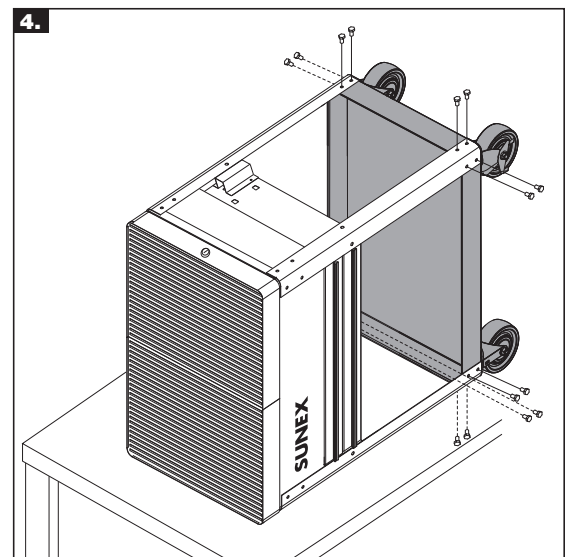
Make sure the drawer assembly lids are closed. Place cart on side as shown in figure 3. Place one leg (#4) face up against drawer assembly and assemble using leg bolt kit (#16). Repeat for second leg.

Flip cart to opposite side as shown in figure 3.a. Repeat leg assembly, except leave the top 2 leg holes temporarily vacant (handle will be assembled in figure 5).



### Step 4: Attaching Bottom Tray with Casters to Legs

Turn bottom tray (#7) on side - locking casters up. Align holes of legs (#4) and bottom tray (#7) and assemble using leg bolt kit (#16). Repeat to assemble all four legs with bottom tray.



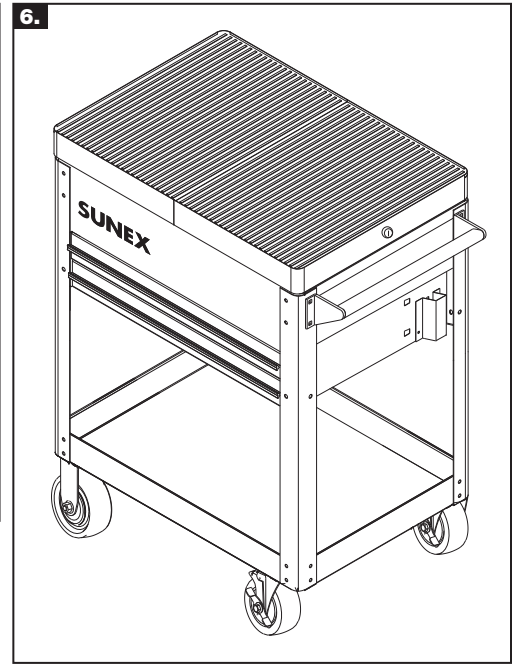
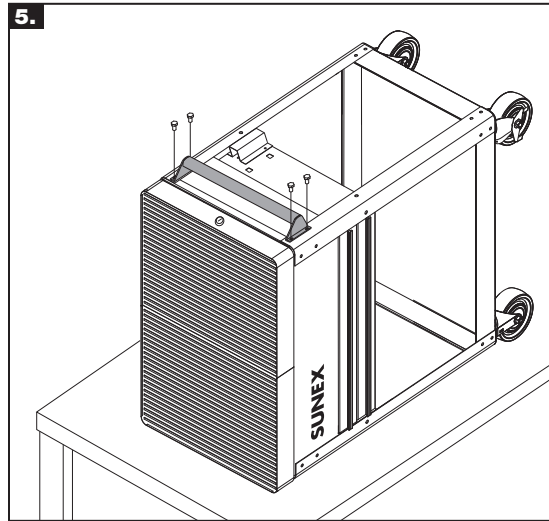
## ASSEMBLY INSTRUCTIONS

### Step 5: Attaching the Handle

Attach the handle (#11) using the 4 M8x20 handle bolts.

**NOTE:** The handle should be assembled on the same side as the locking casters (#9).

### Step 6: The cart is complete.



## REPLACEMENT PARTS LIST

Item	Part #	Description #	Req'd
1	RS8035RM	Rubber mat	2
2		Sliding Top	1
3		Sliding Top with Lock	1
4	RS8035LGBK	Leg/each (black)	4
	RS8035LGR	Leg/each (red)	
5		Drawer	2
6	RS8035DH	Drawer Handle	2
7		Bottom Tray	1
8	RSFWH	Fixed Wheel	2
9	RSSWLCS	Locking Caster	2
10	RS8035SL	Drawer Slides (pair)	2
11	RS8035PH	Push Handle with Hardware	1
12	RS8035LK	Lock with 2 Keys	1
13	RS8035SLT	Sliding Top Slides (pair)	1
	RS80354LK	4 Pc. Set EVA Liners (not shown)	1
	RS8035CBK	Caster Bolt Kit (not shown) (set includes 16 M8 x 16 bolts, 32 washers and 16 M8 nuts)	1
	RS8035LBK	Leg Bolt Kit (not shown) (set includes 32 M8 x 16 bolts and 32 M8 washers)	1

