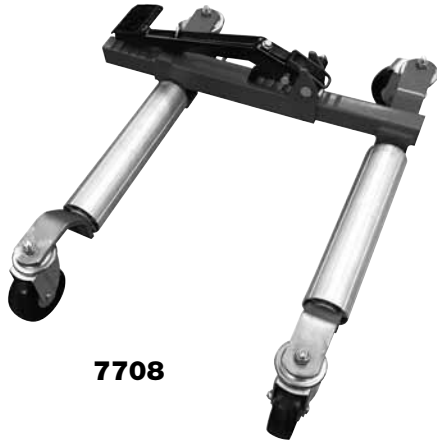


MANUAL

CONTENTS:

Page 1 Specifications
 2 Warning Information
 3 Warning Information, Setup and Operating Instructions
 4 Preventative Maintenance and Warranty Information
 5 Exploded View Drawing and Parts List
 6 Exploded View Drawing and Parts List



SPECIFICATIONS

MODEL 7708 CAR DOLLY

Capacity	1,500 lbs. (680.4 kg)
Max. Tire Width	12.8" (325 mm)
Working Range	13.4"x27.9" (340 mm-710 mm)
Net Weight	34.7 lbs. (15.75 kg)

MODEL 7709 CAR DOLLY RACK (sold separately)

Capacity	300 lbs. (136 kg)
Shipping Weight	23.8 lbs. (10.8 kg)

OPERATING MANUAL & PARTS LIST FOR 7708, 7709

WARNING INFORMATION



This is the safety alert symbol. It is used to alert you to potential personal injury hazards. Obey all safety messages that follow this symbol to avoid possible injury or death.



WARNING: Indicates a hazardous situation which, if not avoided, could result in death or serious injury.



IMPORTANT: READ THESE INSTRUCTIONS BEFORE OPERATING

BEFORE USING THIS DEVICE, READ THIS MANUAL COMPLETELY AND THOROUGHLY, UNDERSTAND ITS OPERATING PROCEDURES, SAFETY WARNINGS AND MAINTENANCE REQUIREMENTS.

It is the responsibility of the device owner to make sure all personnel read this manual prior to using the device. It is also the responsibility of device owner to keep this manual intact and in a convenient location for all to see and read. If the manual or product labels are lost or not legible, contact Sunex for replacements. If the operator is not fluent in English, the product and safety instructions shall be read to and discussed with the operator in the operator's native language by the purchaser/owner or his designee, making sure that the operator comprehends its contents.

THE NATURE OF HAZARDOUS SITUATIONS



The use of car dollies is subject to certain hazards that cannot be prevented by mechanical means, but only by the exercise of intelligence, care, and common sense. It is essential to have personnel involved in the use and operation of the device who are careful, competent, trained, and qualified in the safe operation of the device and its proper use when servicing motor vehicles and their components. Examples of hazards are dropping, tipping or slipping of loads caused primarily by improperly securing loads, overloading, off-centered loads, use on other than hard level surfaces, and using equipment for a purpose for which it was not intended.

METHODS TO AVOID HAZARDOUS SITUATIONS FOR CAR DOLLY



- Read, study, understand and follow all instructions before operating this device.
- Use of this product is limited to transporting only.
- Dollies must be used in pairs. Dollies are to be used to support vehicles. Do not use to support vehicles without wheels.
- Inspect the dolly before each use. Do not use if damaged, altered, modified, in poor condition, leaking hydraulic fluid, or unstable due to loose or missing hardware or parts. Make corrections before using.
- Wear eye protection that meets ANSI Z87.1 and OSHA standards.
- Do not exceed rated capacity.
- Use only on hard, level, dry concrete surface free from expansion joints and all obstructions.
- Do not use with tires that are wider than 12".
- Before moving the vehicle, ensure that the vehicle wheels are centered and secure.
- Do not start the vehicle's engine or drive the vehicle when mounted on dollies. The dolly is designed for manually moving the vehicle.
- Activate the caster locking devices after moving a vehicle.
- Do not use (or modify) this product for any other purpose than that for which it was designed without consulting the manufacturer's authorized representative.
- Never work on, around, or under a vehicle supported by car dollies.
- This product may contain one or more chemicals known to the State of California to cause cancer and birth defects or other reproductive harm. *Wash hands thoroughly after handling.*
- Failure to heed these warnings may result in serious or fatal personal injury and/or property damage.

METHODS TO AVOID HAZARDOUS SITUATIONS FOR CAR DOLLY RACK



- Read, study, understand and follow all instructions before operating this device.
- Inspect the rack before each use. Do not use if damaged, altered, modified, in poor condition, or unstable due to loose or missing hardware or parts. Make corrections before using.
- Wear eye protection that meets ANSI Z87.1 and OSHA standards.
- Do not exceed rated capacity.
- Use only on hard, level, dry concrete surface free from expansion joints and all obstructions.
- Use this rack for its intended purpose of storing and transporting up to four dollies only.
- Do not use (or modify) this product for any other purpose than that for which it was designed without consulting the manufacturer's authorized representative.
- This product may contain one or more chemicals known to the State of California to cause cancer and birth defects or other reproductive harm. *Wash hands thoroughly after handling.*
- Failure to heed these warnings may result in serious or fatal personal injury and/or property damage.

OPERATING MANUAL & PARTS LIST FOR 7708, 7709

CONSEQUENCES OF NOT AVOIDING HAZARDOUS SITUATIONS

WARNING

Failure to read this manual completely and thoroughly, failure to understand its OPERATING INSTRUCTIONS, SAFETY WARNINGS, MAINTENANCE INSTRUCTIONS and comply with them, and failure to comply with the METHODS TO AVOID HAZARDOUS SITUATIONS could cause accidents resulting in serious or fatal personal injury and/or property damage.

SETUP

MODEL 7708 CAR DOLLY

PLEASE REFER TO THE EXPLODED VIEW DRAWING IN THIS MANUAL IN ORDER TO IDENTIFY PARTS.

1. Index numbers 2, 4 and 5 represent the base leg assemblies. Secure the base leg assemblies to the #6 inner tube and #29 outer tube with the #28 washers, #27 lock washers and #26 bolts provided as shown in the exploded view drawing on page 5.
2. Secure the #11 caster wheels with brake to the #6 inner tube and #29 outer tube by tightening the #1 nuts.
3. Secure the #3 caster wheels to the ends of the base leg assemblies with the #1 nuts.
4. Securing the #12 pedal assembly when the dolly is stored or not in use can be accomplished by rotating the #15 latch toward the pedal end of the #12 assembly and rotating the #9 lock pin upward so that it enters the rectangular hole in the top of the #12 pedal assembly.

MODEL 7709 CAR DOLLY RACK

PLEASE REFER TO THE EXPLODED VIEW DRAWING IN THIS MANUAL IN ORDER TO IDENTIFY PARTS.

1. Secure the #2 left base arm and #6 right base arm to the ends of the #5 cross member with the #4 bolts and #3 nuts as shown in the exploded view drawing on page 6.
2. Secure the #1 caster assemblies to the ends of the #2 and #6 base arms with the #3 nuts provided.

OPERATING INSTRUCTIONS



This is the safety alert symbol used for the OPERATING INSTRUCTIONS section of this manual to alert you to potential personal injury hazards. Obey all instructions to avoid possible injury and/or property damage.

MODEL 7708 CAR DOLLY

1. Make sure the vehicle is on a hard, flat, dry surface and the transmission is in PARK or engaged in gear if a manual transmission before using the dollies.
2. Release the #12 pedal assembly from the #29 outer tube by pushing down on the pedal end of the assembly with one hand and rotating the #9 latch out of the rectangular hole in the top of the #12 pedal assembly with the other hand.
3. Spread the base leg assemblies far enough apart where they will straddle the tire.
4. Push the dolly in toward the tire where the rollers of the base leg assemblies are straddling the tire and the center of the tire is in line with the center of each roller.
5. Rotate the #15 latch in the opposite direction so the #13 front claw engages the teeth in the #6 inner tube.
6. Activate the #12 pedal assembly so the rollers on the base leg assemblies make contact with the circumference of the tire. Again, make sure the tire is properly aligned with the dolly. Continue activating the pedal assembly until the tire is lifted about 1" off the ground.
7. Repeat steps 1 through 6 on the remaining three tires. Check to see if the 1" clearance will be enough to maneuver the vehicle over the floor without any obstructions. It may be necessary to increase the 1" ground clearance.
8. Once the vehicle is supported by the dollies, move the vehicle slowly and carefully to its destination and engage the locking caster wheels on all four dollies.
9. Removing the vehicle from the dolly will require disengaging the caster locks.
10. Rotate the #15 latch forward towards the foot pedal and then continue to activate the foot pedal until the rollers of the base leg assemblies clear the circumference of the tire. Remove the dolly from under the vehicle.

MODEL 7709 CAR DOLLY RACK

1. Push the rollers of the dolly in as close to each other as possible.
2. Make sure the #15 latch is facing towards the foot pedal and depress the foot pedal with one hand while engaging the #9 lock pin with the rectangular hole in the top of the #12 foot pedal assembly.
3. Install the first dolly on the end of the rack by making sure the #6 inner tube fits over the short upright flange on the rack's #5 cross member. See the photo on the front cover of this manual to see how the remaining dollies should be installed.
4. The loaded rack can be moved by pushing or pulling on the foot pedal ends of the dollies slowly and carefully. Keep feet clear of the rack and swivel caster wheels.

OPERATING MANUAL & PARTS LIST FOR 7708, 7709

PREVENTATIVE MAINTENANCE



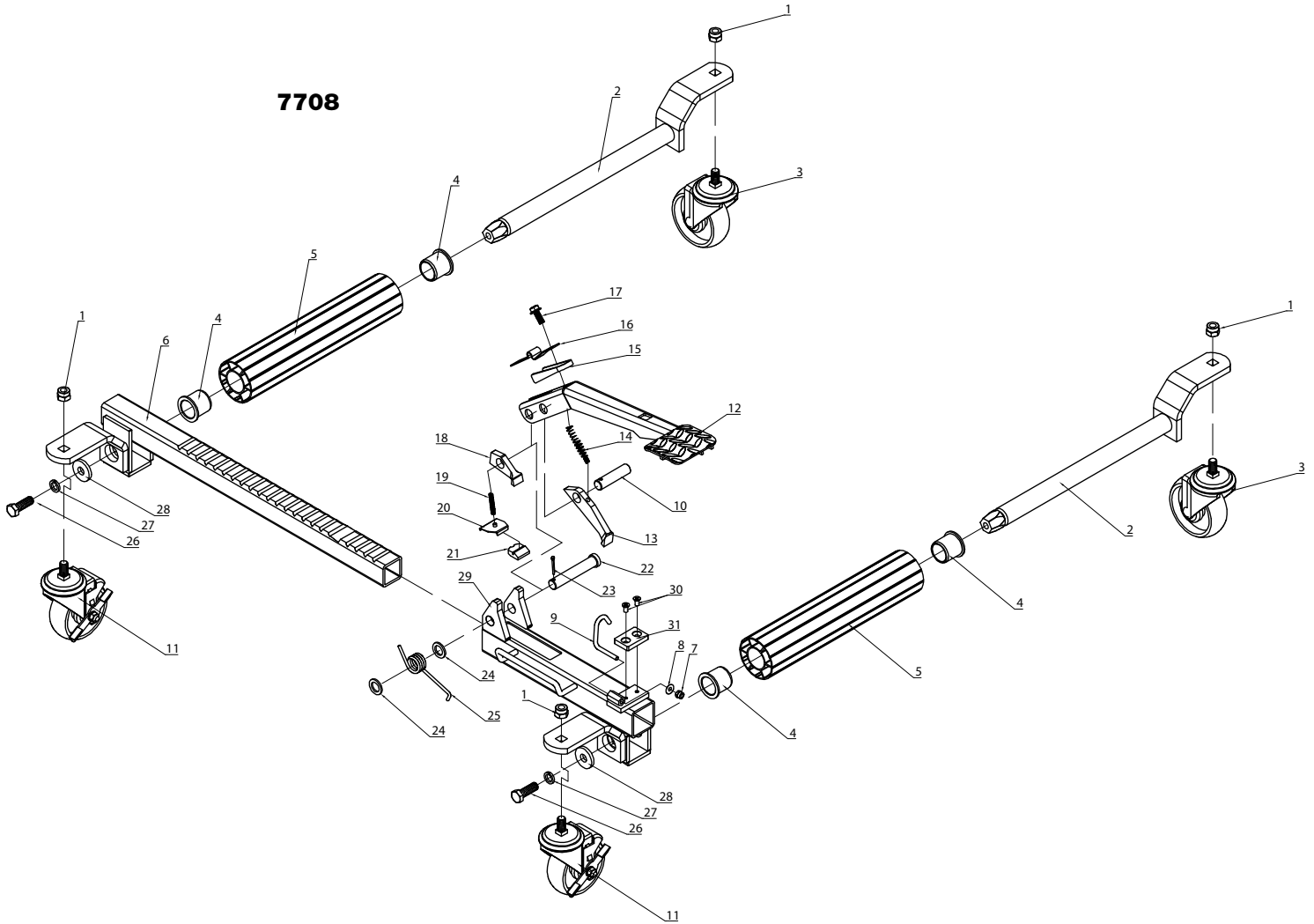
This is the safety alert symbol used for the PREVENTATIVE MAINTENANCE section of this manual to alert you to potential personal injury hazards. Obey all instructions to avoid possible injury and/or property damage.

1. Always store the dolly and rack in a well protected area where they will not be exposed to inclement weather, corrosive vapors, abrasive dust, or any other harmful elements. The dolly and rack must be cleaned of water, snow, sand, grit, oil, grease or other foreign matter before using.
2. The dolly and rack must be lubricated periodically in order to prevent premature wearing of parts. A general purpose grease must be applied to the caster wheels, the internal telescopic square tube, roller arms, and sparingly applied to the foot pump linkage.

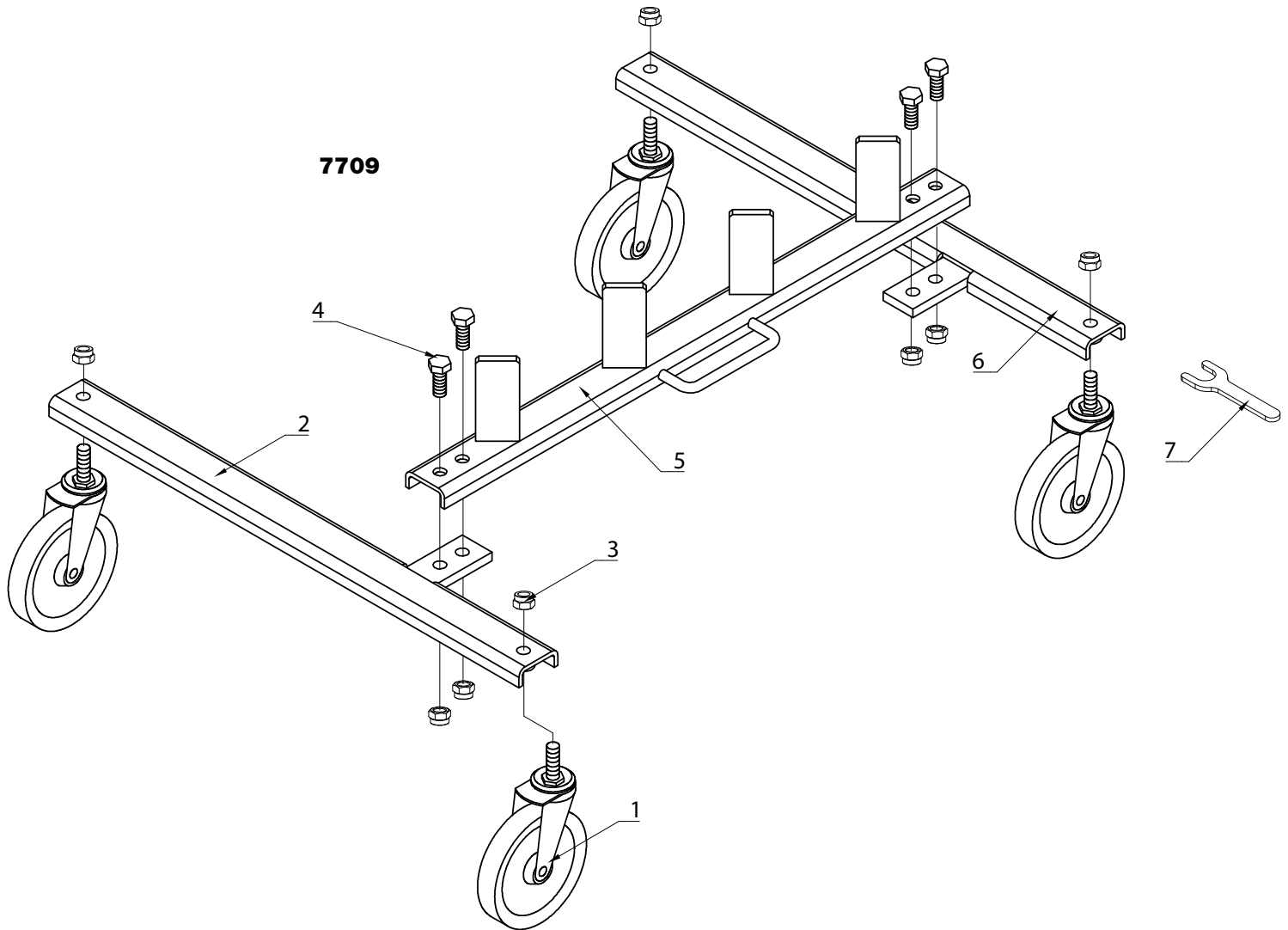
IMPORTANT: Any dolly or rack found to be defective as a result of worn parts due to lack of lubrication or maintenance is not eligible for warranty consideration.

3. Every dolly and rack owner is responsible for keeping the product and warning labels clean and readable.
4. Inspect the dolly and rack before each use. Do not use the dolly or rack if any component is cracked, broken, bent, or shows sign of damage. Do not use the dolly or rack if they have loose or missing hardware or components, or are modified in any way. Take corrective action before using the dolly or rack again.

7708



Index#	Part#	Description	Qty.	Index#	Part#	Description	Qty.
1		Nut	4	19		Spring	1
2		Roller Assy	2	20		Fixed Plate	1
3		Non-Locking Caster Wheel	2	21		Limited Block	1
4		Nylon Bushing	4	22		Locating Pin	1
5	RS770805	Aluminum Roller	2	23		Cotter Pin	1
6		Inner Tube	1	24		Washer	2
7		Nut	1	25		Spring	1
8		O-ring	1	26		Bolt	2
9		Lock Pin	1	27		Lock Washer	2
10		Locating Pin	1	28		Washer	2
11		Locking Caster Wheel	2	29		Outer Tube	1
12		Pedal Assy	1	30		Bolt	2
13		Front Claw	1	31		Rubber Washer	1
14		Spring	1	not shown	RS770832	Caster Assembly (#1, #3 & #11)	1
15		Latch	1	not shown	RS770833	Foot Pedal Assembly (#10, #12-#25)	1
16		Spring Bearer Plate	1	not shown	RS7708PL	Product Label Kit (not shown)	1
17		Bolt	1	Only Index #'s identified by Part # are available separately.			
18		Back Claw	1				



Index#	Part#	Description	Qty.
1	RS770908	Caster Assembly (incl. # 1, 3)	4
2		Left Base Arm	1
3		Nut M12	8
4		Bolt M12x30	4
5		Crossmember	1
6		Right Base Arm	1
7		Wrench	1
not shown	RS7709PL	Product Label Kit	1

Only Index #'s identified by Part # are available separately.