

MANUAL

CONTENTS:

Page	1	Specifications
	2	Warning Information
	3	Assembly Instructions, Operating Instructions and Preventative Maintenance
	4	Exploded View Drawing and Warranty Coverage



SPECIFICATIONS

	1210	1310	1410
Capacity.....	10 Tons (9072 kg)	10 Tons (9072 kg)	10 Tons (9072 kg)
Height Intervals	4" x 1.5" (10.2 cm x 3.8 cm)	7" x 1.5" (17.8 cm x 3.8 cm)	10" x 2" (25.4 cm x 5.1 cm)
Min Height	11" (27.9 cm)	18.9" (48 cm)	28.1" (71.4 cm)
Max Height	17.3" (44 cm)	29.9" (76 cm)	46.5" (118.1 cm)
Saddle Size.....	3.1" x 5.1" (8 cm x 13 cm)	3.1" x 5.1" (8 cm x 13 cm)	3.1" x 5.1" (8 cm x 13 cm)
Base Diameter.....	12.2" x 12.2" (31 cm x 31 cm)	16.9" x 16.9" (43 cm x 43 cm)	15.7" x 15.7" (40 cm x 40 cm)
Shipping Weight (Pair)	59.5 lbs. (27 kg)	93.6 lbs. (42.5 kg)	115.6 lbs. (52.43 kg)

WARNING INFORMATION



This is the safety alert symbol. It is used to alert you to potential personal injury hazards. Obey all safety messages that follow this symbol to avoid possible injury or death.

⚠ WARNING

WARNING: Indicates a hazardous situation which, if not avoided, could result in death or serious injury.



IMPORTANT: READ THESE INSTRUCTIONS BEFORE OPERATING

BEFORE USING THESE STANDS, READ THIS MANUAL COMPLETELY AND THOROUGHLY, UNDERSTAND ITS OPERATING PROCEDURES, SAFETY WARNINGS AND MAINTENANCE REQUIREMENTS.

It is the responsibility of the owner to make sure all personnel read this manual prior to using these stands. It is also the responsibility of the stand owner to keep this manual intact and in a convenient location for all to see and read. If the manual or product labels are lost or not legible, contact Sunex for replacements. If the operator is not fluent in English, the product and safety instructions shall be read to and discussed with the operator in the operator's native language by the purchaser/owner or his designee, making sure that the operator comprehends its contents.

THE NATURE OF HAZARDOUS SITUATIONS

⚠ WARNING

The use of portable automotive lifting and support devices is subject to certain hazards that cannot be prevented by mechanical means, but only by the exercise of intelligence, care, and common sense. It is therefore essential to have owners and personnel involved in the use and operation of the equipment who are careful, competent, trained, and qualified in the safe operation of the equipment and its proper use. Examples of hazards are dropping, tipping or slipping of loads caused primarily by improperly secured loads, overloading, off-centered loads, use on other than hard level surfaces, and using equipment for a purpose for which it was not designed.

METHODS TO AVOID HAZARDOUS SITUATIONS

⚠ WARNING



- Read, study, understand and follow all instructions before using.
- Inspect the jack stands before each use. Do not use if damaged, altered, modified, in poor condition, or have loose or missing hardware or parts. Make corrections before using the stands.
- Do not use (or modify) this product for any other purpose than that for which it was designed without consulting the manufacturer's authorized representative.



- Wear eye protection that meets ANSI Z 87.1 and OSHA standards (user and bystanders).
- Do not use beyond rated capacity. Do not shock load.
- Maximum load capacity per matched pair shall not exceed the rated capacity of the individual stand.
- Use only on a hard level surface capable of supporting the load.
- Stands are to be used in matched pairs to support one end of a vehicle only. Do not simultaneously support both ends or one side of a vehicle.
- Apply the emergency brake, put the gear shift lever in park or in gear if a manual shift transmission, and chock the tires that will not be lifted off the ground.
- Center load on saddle. Do not use saddle lugs to support the load.
- Check the stands for solid contact with the ground and vehicle.
- Make sure the stands' locking pins are fully engaging the stand on both sides and the support column's saddle is making contact with a vehicle support surface that can support the load.
- Consult the vehicle manufacturer for the proper frame support locations.
- Ensure both stands are set at same height and locking pins are fully engaged.
- **Do not crawl under vehicle when placing/removing stands.**
- Never use the stand's lower support plate (if so equipped) as a load bearing surface for the locking pin.
- This product may contain one or more chemicals known to the State of California to cause cancer and birth defects or other reproductive harm. *Wash hands thoroughly after handling.*
- Failure to heed these warnings may result in personal injury and/or property damage.

CONSEQUENCES OF NOT AVOIDING HAZARDOUS SITUATIONS

WARNING

Failure to read this manual completely and thoroughly, failure to understand its OPERATING INSTRUCTIONS, SAFETY WARNINGS, MAINTENANCE INSTRUCTIONS and comply with them, and failure to comply with the METHODS TO AVOID HAZARDOUS SITUATIONS could cause accidents resulting in serious or fatal personal injury and/or property damage.

ASSEMBLY INSTRUCTIONS

1. Install the support column in the stand where the locking holes in the column are facing the locking pin attachment location.
 2. Most pin type jack stands are designed with a support column that can always be removed from the stand, therefore do not attempt to move or lift the stand by pulling up on the column or its saddle.
 3. Some stands are equipped with a storage holder for the locking pin. Locking pins connected to the stand; by way of a tether or lanyard should not be stored in the stand's support column receiver hole.
-

OPERATING INSTRUCTIONS



This is the safety alert symbol used for the OPERATING INSTRUCTIONS section of this manual to alert you to potential personal injury hazards. Obey all instructions to avoid possible injury or death.

1. Make sure the work floor is clean and free of debris and obstacles.
2. Chock the vehicle's tires that will not be lifted. Make sure the emergency brake is on and the vehicle's transmission is either in the park mode or in gear if a manual transmission.
3. Raise the vehicle to a safe working height and make sure the jack and vehicle setup are stable before positioning the jack stands.
4. Position the jack stands right below the areas of the vehicle to be supported.
5. Lift the support columns as close to the vehicle as possible without the saddles on the columns coming in contact with the vehicle. Make sure the stands' locking pin is fully engaging the stand on both sides. Never use the stand's lower support plate as a load bearing surface for the locking pin.
6. Slowly and carefully lower the vehicle on the jack stands. Shock loads or loads dropped abruptly on stands can cause premature metal fatigue or even stand failure depending on the weight of the vehicle and the speed of decent that impacts the stands' support columns.
7. When work is completed, raise the vehicle high enough off the stands where the stands can be easily removed.

WARNING: Do not crawl under vehicle when placing/removing stands.

PREVENTATIVE MAINTENANCE



This is the safety alert symbol used for the PREVENTATIVE MAINTENANCE section of this manual to alert you to potential personal injury hazards. Obey all instructions to avoid possible injury or death.

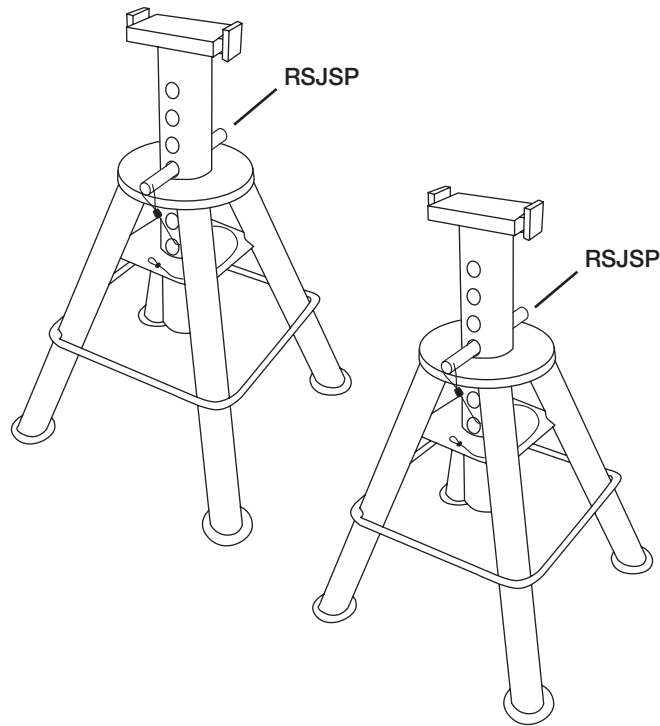
1. Always store the jacks stands in a well protected area where they will not be exposed to inclement weather, corrosive vapors, abrasive dust, or any other harmful elements. The stands must be cleaned of water, snow, sand, grit, oil, grease and other foreign matter before using.
2. Every jack stand owner is responsible for keeping the stand labels clean and readable. Use a mild soap solution to wash external surfaces of the stand. Contact Sunex for a replacement label if your stand's label is not readable.
3. Inspect the stands before each use. Do not use the stands if any component is cracked, broken or bent. Do not use the stand if it has loose or missing hardware or components, or is modified in any way. Take corrective action before using the stand again. Premature wearing or damage to components caused by loose or missing hardware is not eligible for warranty consideration.

SUNEX[®] HD

GUARANTEED TO PERFORM

MODELS 1210, 1310 and 1410
CAPACITY: 10 TON
JACK STAND (PAIR)

**PARTS LIST
AND DRAWING**



Due to safety precautions, only replaceable part is RSJSP, locking pin with wire.
To order replacement product labels request RS1210LK for model 1210, RS1310LK, for model 1310, and RS1410LK for model 1410.
Each set includes all product labels for one pair of jack stands).