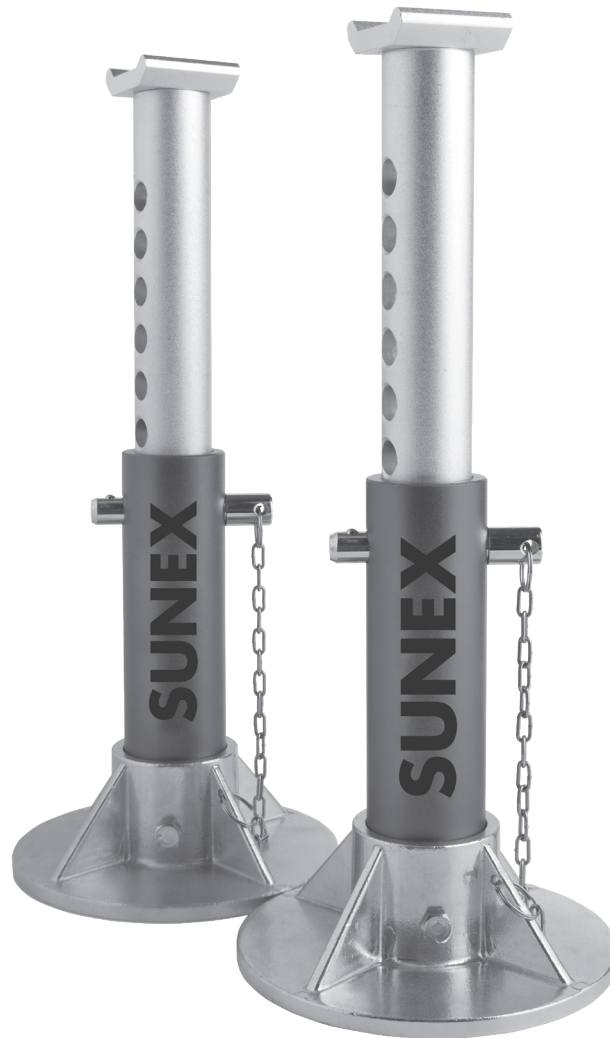


MANUAL

CONTENTS:

- Page 1 Specifications
2 Warning Information
3 Assembly Instructions and Operating Instructions
4 Exploded View Drawing and Preventative Maintenance
5 Warranty Coverage



SPECIFICATIONS

| | |
|---------------------|-------------------------------|
| Capacity | 3 Tons (2,721.5 kg) |
| Min Height | 10.6" (26.9 cm) |
| Max Height | 15.4" (39.1 cm) |
| Saddle Size..... | 2.2" x 2.0" (5.6 cm x 5.1 cm) |
| Base Diameter | 7.1" (18.0 cm) |
| Weight (Pair) | 10 lbs (4.5 kg) |

WARNING INFORMATION



This is the safety alert symbol. It is used to alert you to potential personal injury hazards. Obey all safety messages that follow this symbol to avoid possible injury or death.



WARNING: Indicates a hazardous situation which, if not avoided, could result in death or serious injury.



IMPORTANT: READ THESE INSTRUCTIONS BEFORE OPERATING

BEFORE USING THESE STANDS, READ THIS MANUAL COMPLETELY AND THOROUGHLY, UNDERSTAND ITS OPERATING PROCEDURES, SAFETY WARNINGS AND MAINTENANCE REQUIREMENTS.

It is the responsibility of the owner to make sure all personnel read this manual prior to using these stands. It is also the responsibility of the stand owner to keep this manual intact and in a convenient location for all to see and read. If the manual or product labels are lost or not legible, contact Sunex for replacements. If the operator is not fluent in English, the product and safety instructions shall be read to and discussed with the operator in the operator's native language by the purchaser/owner or his designee, making sure that the operator comprehends its contents.




THE NATURE OF HAZARDOUS SITUATIONS




The use of portable automotive lifting and support devices is subject to certain hazards that cannot be prevented by mechanical means, but only by the exercise of intelligence, care, and common sense. It is therefore essential to have owners and personnel involved in the use and operation of the equipment who are careful, competent, trained, and qualified in the safe operation of the equipment and its proper use. Examples of hazards are dropping, tipping or slipping of loads caused primarily by improperly secured loads, overloading, off-centered loads, use on other than hard level surfaces, and using equipment for a purpose for which it was not designed.

METHODS TO AVOID HAZARDOUS SITUATIONS



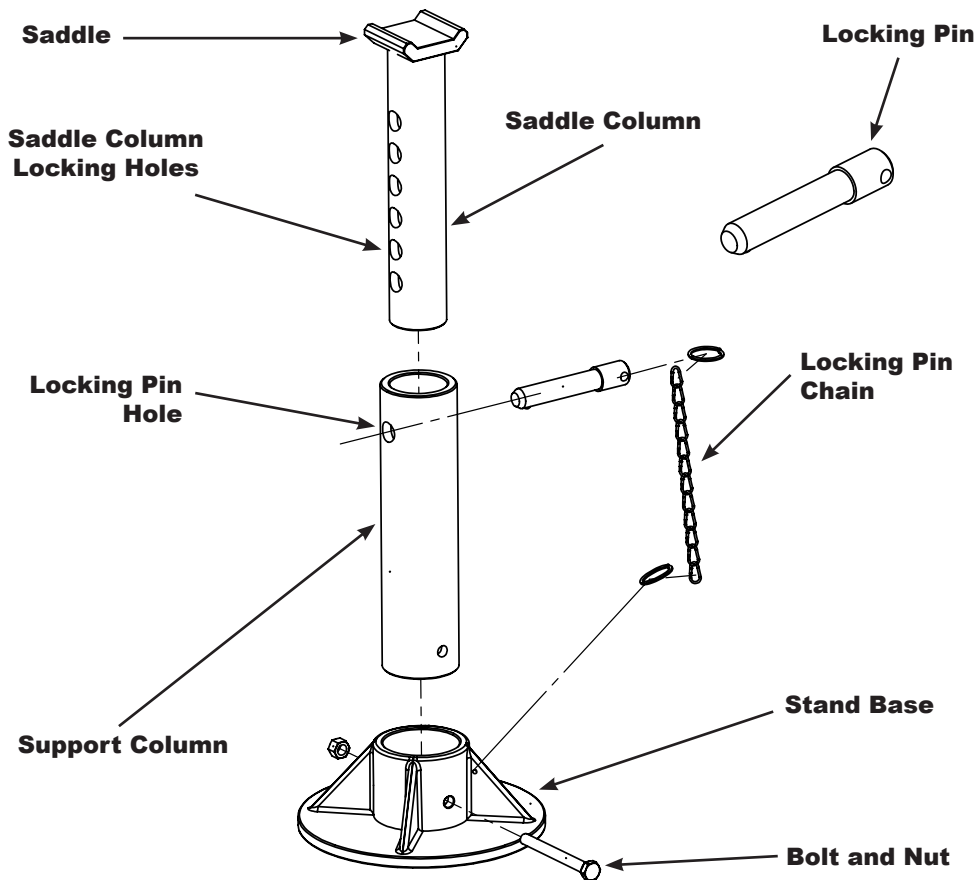
-  • Read, study, understand and follow all instructions before using.
- Inspect the jack stands before each use. Do not use if damaged, altered, modified, in poor condition, or have loose or missing hardware or parts. Make corrections before using the stands.
- Do not use (or modify) this product for any other purpose than that for which it was designed without consulting the manufacturer's authorized representative.
-  • Wear eye protection that meets ANSI Z 87.1 and OSHA standards (users and bystanders).
- Do not use beyond rated capacity. Do not shock load.
- Use only on a hard level surface capable of supporting the load.
- Maximum load capacity per matched pair shall not exceed the rated capacity of the individual stand.
- Stands are to be used in matched pairs to support one end of a vehicle only. Do not simultaneously support both ends or one side of a vehicle.
- Apply the emergency brake, put the gear shift lever in park or in gear if a manual shift transmission, and chock the tires that will not be lifted off the ground.
- Center load on saddle. Do not use saddle lugs to support the load.
- Check the stands for solid contact with the ground and vehicle.
- Make sure the stand's locking pins are fully engaging the stand on both sides and the support column saddle is making contact with a vehicle support surface that can support the load.
-  • Ensure both stands are set at same height and locking pins are fully engaged.
- **Do not crawl under vehicle when placing/removing stands.**
- Never use the stand's lower support plate (if so equipped) as a load bearing surface for the locking pin.
- Consult the vehicle manufacturer for the proper frame support locations.
- Failure to heed these warnings may result in personal injury and/or property damage.

 **WARNING:** This product can expose you to chemicals including nickel, which is known to the State of California to cause cancer and birth defects or other reproductive harm.

CONSEQUENCES OF NOT AVOIDING HAZARDOUS SITUATIONS



Failure to read this manual completely and thoroughly, failure to understand its OPERATING INSTRUCTIONS, SAFETY WARNINGS, MAINTENANCE INSTRUCTIONS and comply with them, and failure to comply with the METHODS TO AVOID HAZARDOUS SITUATIONS could cause accidents resulting in serious or fatal personal injury and/or property damage.



ASSEMBLY INSTRUCTIONS

1. Install the support column into the stand base, align the holes in the stand base with the holes at the bottom of the support column.
2. Install the bolt through the stand base and support column and thread the nut onto the bolt and tighten.
3. Place the saddle column into the support column.

OPERATING INSTRUCTIONS



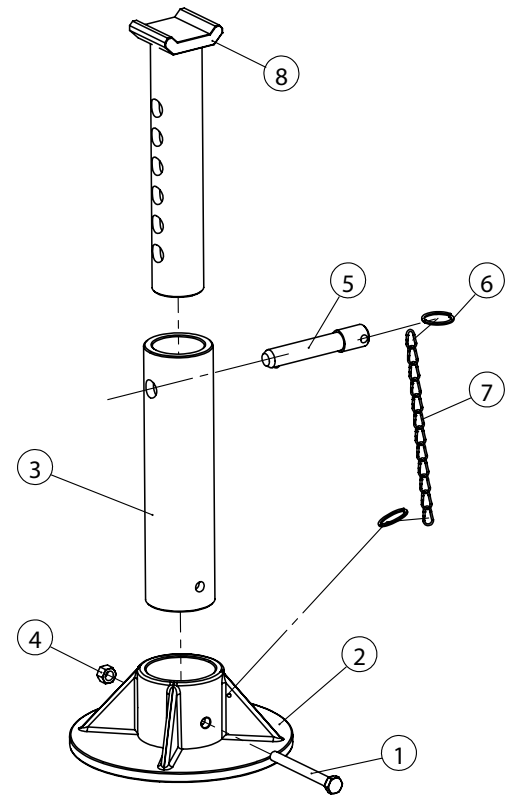
This is the safety alert symbol used for the OPERATING INSTRUCTIONS section of this manual to alert you to potential personal injury hazards. Obey all instructions to avoid possible injury or death.

1. Make sure the work floor is clean and free of debris and obstacles.
2. Chock the vehicle's tires that will not be lifted. Make sure the emergency brake is on and the vehicle's transmission is either in the park mode or in gear if a manual transmission.
3. Raise the vehicle to a safe working height and make sure the jack and vehicle setup are stable before positioning the jack stands. **DO NOT CRAWL UNDER THE VEHICLE TO POSITION OR REMOVE STANDS.**
4. Position the jack stands right below the areas of the vehicle support points as specified by the vehicle manufacturer.
5. Lift the saddle columns as close to the vehicle as possible without the saddles on the columns coming in contact with the vehicle. Insert the locking pin.
6. Slowly and carefully lower the vehicle on the jack stands. Shock loads or loads dropped abruptly on stands can cause premature metal fatigue or even stand failure depending on the weight of the vehicle and the speed of decent that impacts the stands' support columns. The load should be supported in the center of the support column saddles, not the locating lugs of the saddles.
7. Check the load for stability. If the load is not stable, lift the load off the stands and correctly reposition the stands.
8. When work is completed, raise the vehicle high enough off the stands where the stands can be easily removed.

PARTS LIST AND DRAWING

| ITEM NO | PART NO | DESCRIPTION | QTY |
|-----------|------------|---------------------------|-----|
| 1 | RS100301 | Bolt M8 x 80 | 1 |
| 2 | | Base | 1 |
| 3 | | Sleeve | 1 |
| 4 | RS100304 | Nut M8 | 1 |
| 5 | RS3TPRCS | Lock Pin (incl. item 6,7) | 1 |
| 6 | | Key Ring | 2 |
| 7 | | Chain | 1 |
| 8 | | Saddle and Post | 1 |
| Not Shown | RS1003AJLK | Label Kit | 1 |

Note: Only items identified by part number are available for purchase.



PREVENTATIVE MAINTENANCE



This is the safety alert symbol used for the PREVENTATIVE MAINTENANCE section of this manual to alert you to potential personal injury hazards. Obey all instructions to avoid possible injury or death.

1. Always store the jacks stands in a well protected area where they will not be exposed to inclement weather, corrosive vapors, abrasive dust, or any other harmful elements. The stands must be cleaned of water, snow, sand, grit, oil, grease or other foreign matter before using.
2. Every jack stand owner is responsible for keeping the stand labels clean and readable. Use a mild soap solution to wash external surfaces of the stand. Contact Sunex for a replacement label if your stand's label is not readable.
3. Inspect the stands before each use. Do not use the stands if any component is cracked, broken or bent. Do not use the stand if it has loose or missing hardware or components, or is modified in any way. Take corrective action before using the stand again. Premature wearing or damage to components caused by loose or missing hardware is not eligible for warranty consideration.