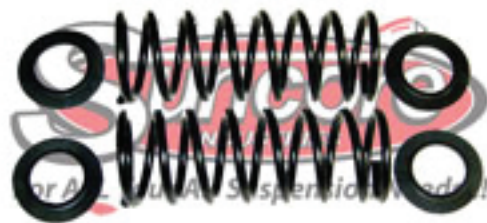




For ALL Your Air Suspension Needs!!!

1992-2001

Lincoln Town Car LIMO



43F-30-R

Rear Conversion kit



For ALL Your Air Suspension Needs!!!

WARNING:

BEFORE YOU BEGIN THE REMOVAL OR INSTALLATION, READ ALL INSTRUCTIONS THOROUGHLY! THE WARRANTY WILL BE VOID IF INSTRUCTIONS ARE NOT FOLLOWED EXACTLY. DO NOT WORK UNDER CAR UNDER A VEHICLE SUPPORTED BY A JACK. ALWAYS SUPPORT THE VEHICLE ON SAFETY STANDS.

WARNING! Before servicing any vehicle equipped with original equipment air bag suspension, turn off the air suspension switch (in trunk area) and disconnect battery ground cable.

WARNING! Do not attempt to remove any air suspension components when there is pressure in the air spring. Bleed the air spring completely before servicing.

- 1 Raise vehicle and support under frame side rails.
- 2 Axle assembly must be supported with hoist or other adjustable lifting mechanism.
- 3 Disconnect electrical connector at top of spring.
- 4 To purge spring of air, remove solenoid clip and rotate solenoid counter-clockwise to first stop.
- 5 Pull solenoid out to second stop to bleed air from spring.

CAUTION! Do not fully release solenoid until air is completely bled from system.

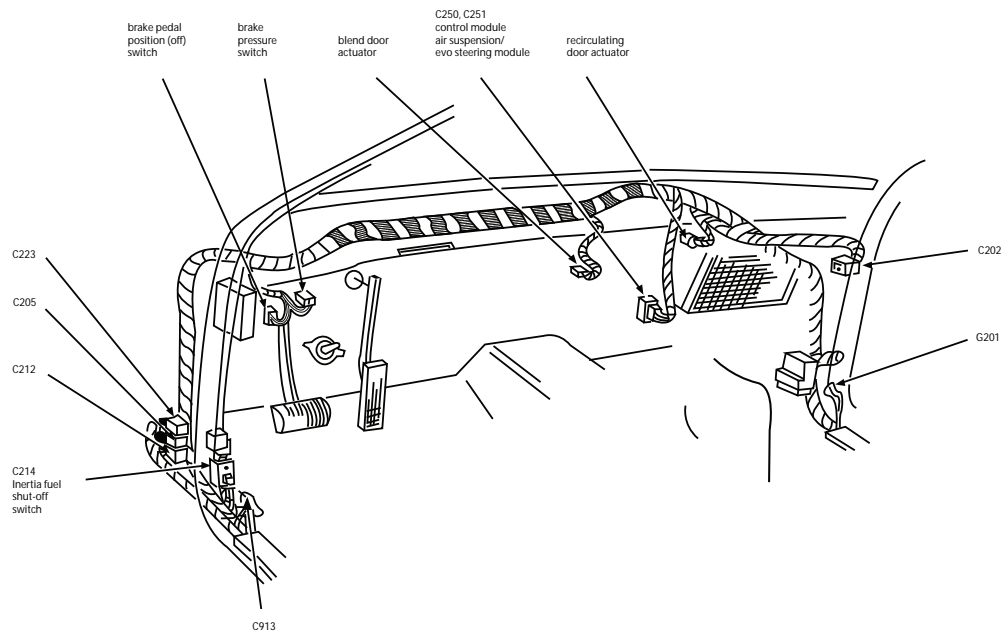
- 6 Rotate solenoid counter-clockwise to third stop and remove from spring.
- 7 Disconnect lower shock mounts and slowly lower axle assembly. (Note: Use caution to insure that brake lines are not bent or stretched. In some cases, it may be necessary to loosen brake line mounting brackets to avoid brake line damage.)
- 8 Remove spring retaining clip from top side of frame spring seat and remove air bag.
- 9 Install springs using supplied rubber insulator pads on both ends of spring with close coils up.
- 10 Raise axle assembly slightly and reconnect shocks. With shocks fully extended, be sure springs are tight in their seats.
- 11 Raise axle assembly until springs support vehicle load. Reconnect any brake line brackets previously removed.

CAUTION! The overload capacity of Variable Rate Springs exceeds the capacity of most vehicles. Do not carry loads in excess of manufacturer's recommended vehicle capacity.

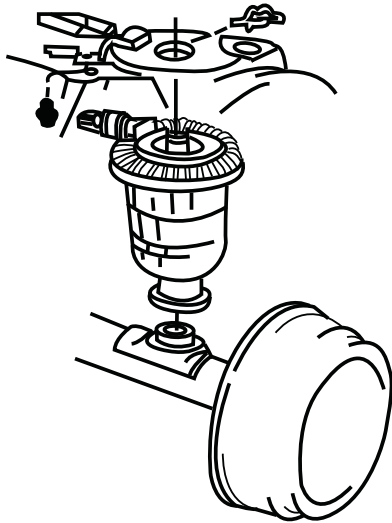


For ALL Your Air Suspension Needs!!!

DISABLING OF AIR SUSPENSION CONTROLS

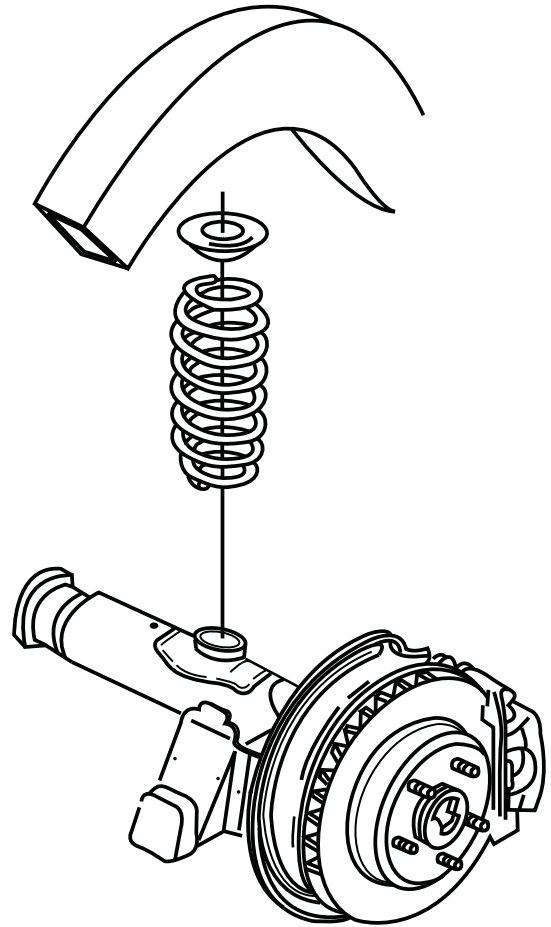


NOTE: The parts in this kit are designed to replace the worn or nonfunctioning original equipment parts in the vehicle as produced by the car factory. These parts are not designed for installation on vehicles where the suspension and/or steering systems have been modified for racing, competition, or any other reason than originally designed by manufacturer.



Step 1:
Remove original Air Spring

Step 2:
Replace Air Spring with the new coil
(as shown below)



Make sure you put the coil with
the closer gaps looking up

closer
together
up

further
apart
down

