



***For ALL Your Air Suspension Needs!!!***

**2003-2006**

***Mercury Grand Marquis  
Ford Crown Victoria  
Lincoln Town Car***

**41F-12-R  
Rear Shocks**





**For ALL Your Air Suspension Needs!!!**

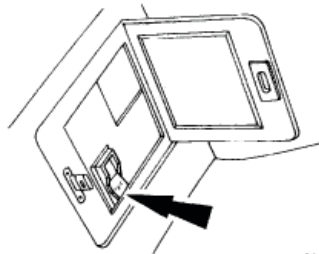
**WARNING:**

**BEFORE YOU BEGIN THE REMOVAL OR INSTALLATION, READ ALL INSTRUCTIONS THOROUGHLY! THE WARRANTY WILL BE VOID IF INSTRUCTIONS ARE NOT FOLLOWED EXACTLY. DO NOT WORK UNDER CAR UNDER A VEHICLE SUPPORTED BY A JACK. ALWAYS SUPPORT THE VEHICLE ON SAFETY STANDS.**

**Removal and Installation**

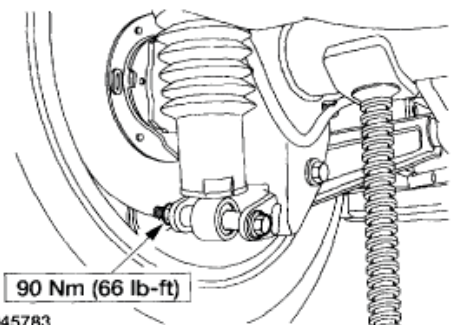
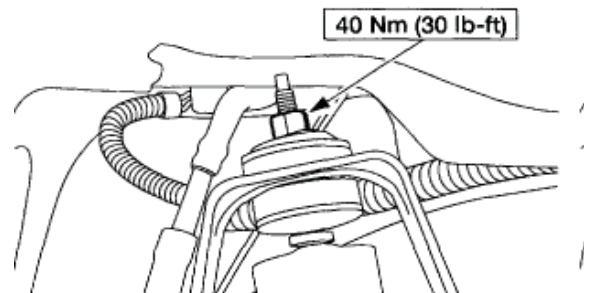
**WARNING: All vehicles are equipped with gas-pressured shock absorbers which will extend unassisted. Do not apply heat or flame to the shock absorber tube.**

**NOTE: Install shock absorbers individually as required. It is not necessary to install in pairs.**



AY0003-B

1. **WARNING: The electrical power to the air suspension system must be turned off prior to hoisting, jacking or towing an air suspension vehicle. Failure to do so can result in unexpected inflation or deflation of the air springs, which can result in shifting of the vehicle during these operations. Turn the air suspension service switch off.**
2. **Raise and support the vehicle.**
3. **Use a suitable jack or jack stands to support the rear axle.**
4. **Remove the nut, washer and the insulator.**
- \* **Discard the nut.**
5. **Remove nut, bolt and the shock absorber.**
- \* **Discard the nut.**
6. **To install, reverse the removal procedure.**



A0045783