

ALL PARTS ARE TO BE INSTALLED BY A CERTIFIED ASE TECHNICIAN



2003-2012 Land Rover Range Rover

L322 Air Suspension Air Springs Rear Pair

72R-15-R

Installation Guide



BEFORE YOU BEGIN THE REMOVAL OR INSTALLATION, PLEASE READ ALL OF THE INSTRUCTIONS THOROUGHLY!

THE WARRANTY WILL BE VOID IF INSTRUCTIONS ARE NOT FOLLOWED EXACTLY. DO NOT WORK UNDER A VEHICLE SUPPORTED BY A JACK.

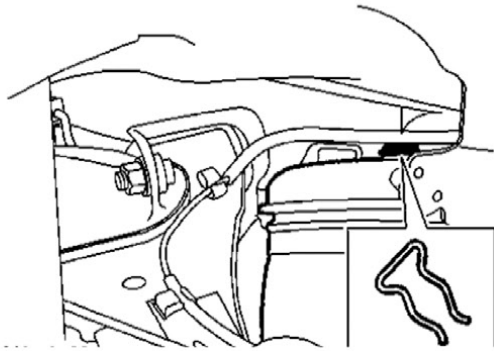
ALWAYS SUPPORT THE VEHICLE ON SAFETY STANDS.

Air Spring Removal

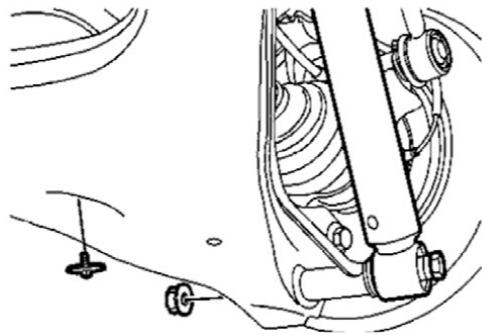
1. Raise rear of vehicle and support under body.

WARNING: Do not work on or under a vehicle supported only by a jack. Always support the vehicle on safety stands.

2. Remove road wheel.



3. Remove clip from upper mounting.



4. Remove screw securing spring to lower arm.

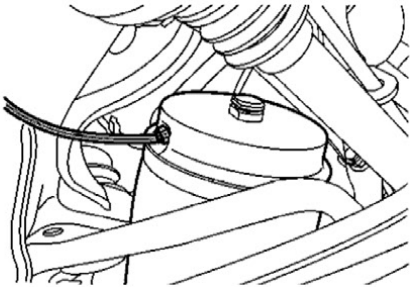
5. Depressurize air spring being replaced.

6. Remove bolt securing damper to lower arm.

7. Release damper from lower arm.

8. With assistance, lower suspension arm and release spring for access to air pipe connection.

CAUTION: Do not extend or compress air spring.



9. Disconnect air pipe.

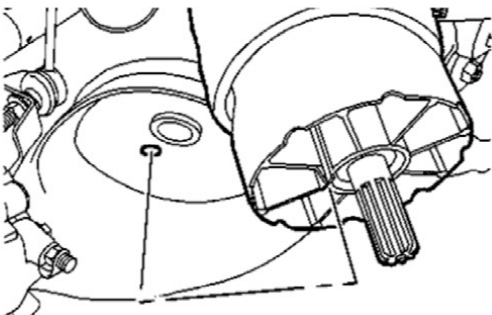
CAUTION: Before disconnecting or removing components, ensure the immediate area around joint faces and connections are clean. Plug open connections to prevent contamination.

10. Remove air spring assembly.

Installation

1. Position air spring, connect air pipe but do not tighten union at this stage.

CAUTION: Ensure air pipe connections are clean.





BEFORE YOU BEGIN THE REMOVAL OR INSTALLATION, PLEASE READ ALL OF THE INSTRUCTIONS THOROUGHLY!

THE WARRANTY WILL BE VOID IF INSTRUCTIONS ARE NOT FOLLOWED EXACTLY. DO NOT WORK UNDER A VEHICLE SUPPORTED BY A JACK.

ALWAYS SUPPORT THE VEHICLE ON SAFETY STANDS.

2. With assistance fit air spring in lower arm ensuring rotation lock spigot is correctly located.

CAUTION: Do not extend or compress air spring.

3. Tighten air pipe connection to 3.5 Nm (2.6 ft. lbs.) .

4. Fit screw securing spring to lower arm and tighten to 7 Nm (5 ft. lbs.) .

5. Align damper to lower arm, fit through bolt and tighten to 110 Nm (81 ft. lbs.) .

6. Pressurize system sufficiently to locate spring top mounting and fit clip.

7. Pressurize suspension.

CAUTION: The system must be pressurized before putting weight of vehicle on suspension.

8. Fit road wheel(s) and tighten nuts to 140 Nm (103 ft. lbs.) .

9. Remove stands and lower vehicle.