

ALL PARTS ARE TO BE INSTALLED BY A CERTIFIED ASE TECHNICIAN



1992-2011 Ford Crown Victoria

1990-2011 Lincoln Town Car

2003-2004 Mercury Marauder

Air Compressor with Dryer

40F-20

Installation Guide



BEFORE YOU BEGIN THE REMOVAL OR INSTALLATION, PLEASE READ ALL OF THE INSTRUCTIONS THOROUGHLY!

THE WARRANTY WILL BE VOID IF INSTRUCTIONS ARE NOT FOLLOWED EXACTLY. DO NOT WORK UNDER A VEHICLE SUPPORTED BY A JACK.

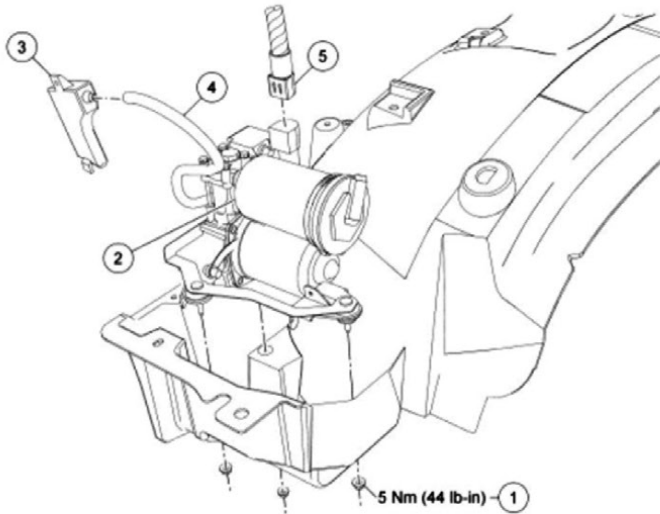
ALWAYS SUPPORT THE VEHICLE ON SAFETY STANDS.



BEFORE YOU BEGIN THE REMOVAL OR INSTALLATION, PLEASE READ ALL OF THE INSTRUCTIONS THOROUGHLY!

THE WARRANTY WILL BE VOID IF INSTRUCTIONS ARE NOT FOLLOWED EXACTLY. DO NOT WORK UNDER A VEHICLE SUPPORTED BY A JACK.

ALWAYS SUPPORT THE VEHICLE ON SAFETY STANDS.



Item	Part Number	Description
1	N803300	Air suspension compressor bracket nut (3 required)
2	5319	Air suspension compressor assembly
3	5C195	Air suspension compressor canister
4	5A897	Air hose
5	14A435	Air suspension compressor electrical connector (part of wiring harness 14A435)

Removal and Installation

WARNING: Shut off the electrical power to the air suspension system prior to hoisting or jacking an air suspension equipped vehicle. Failure to do so may result in unexpected inflation or deflation of the air springs, which may result in shifting of the vehicle during these operations. Failure to follow this instruction may result in serious personal injury.

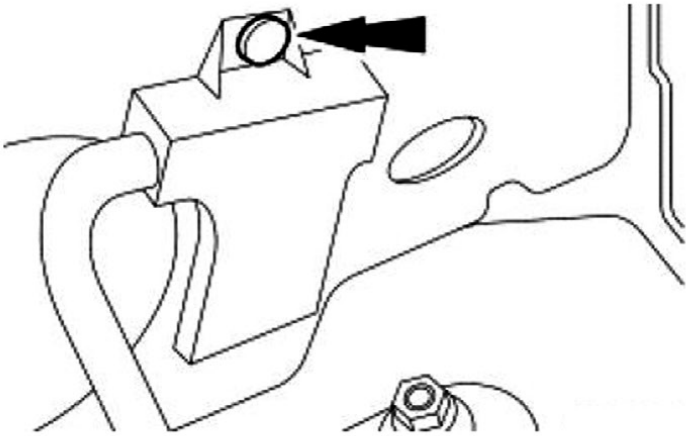
1. Turn the air suspension service switch to the **OFF** position.
2. With the vehicle in **NEUTRAL**, position it on a hoist. For additional information, refer to **Vehicle Jacking and Lifting**.
3. Remove the air cleaner. For additional information, refer to **Fuel Delivery and Air Induction**.
4. Remove the air compressor drier cover in the following sequence.
5. Remove the pushpins.
6. Remove the air compressor drier cover.
7. Remove the canister pushpin and remove the canister.



BEFORE YOU BEGIN THE REMOVAL OR INSTALLATION, PLEASE READ ALL OF THE INSTRUCTIONS THOROUGHLY!

THE WARRANTY WILL BE VOID IF INSTRUCTIONS ARE NOT FOLLOWED EXACTLY. DO NOT WORK UNDER A VEHICLE SUPPORTED BY A JACK.

ALWAYS SUPPORT THE VEHICLE ON SAFETY STANDS.



8. Disconnect the air suspension compressor in the following sequence.

9. Compress the quick connect locking ring and pull out the air tube.

10. Disconnect the air suspension compressor electrical connector.

11. Remove the 3 air suspension compressor bracket nuts.

12. To install, tighten to 5 Nm (44 lb-in).

13. Remove the air suspension compressor assembly.

NOTE: To correctly reinstall the air tubes into the compressor drier, a minimum of 3 mm (1/8 in) of visible white tube must be inserted into the fitting.

14. To install, reverse the removal procedure.