

ALL PARTS ARE TO BE INSTALLED BY A CERTIFIED ASE TECHNICIAN



2005-2007 Toyota Sequoia

Air Suspension Air Springs Rear

165T-15-R

Installation Guide



BEFORE YOU BEGIN THE REMOVAL OR INSTALLATION, PLEASE READ ALL OF THE INSTRUCTIONS THOROUGHLY!

THE WARRANTY WILL BE VOID IF INSTRUCTIONS ARE NOT FOLLOWED EXACTLY. DO NOT WORK UNDER A VEHICLE SUPPORTED BY A JACK.

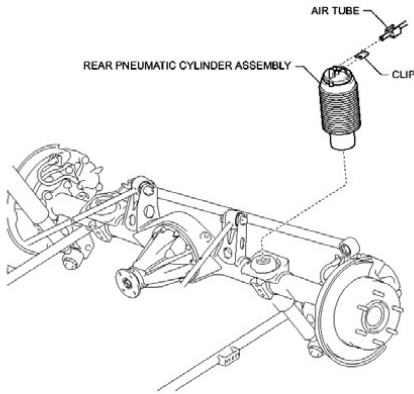
ALWAYS SUPPORT THE VEHICLE ON SAFETY STANDS.



BEFORE YOU BEGIN THE REMOVAL OR INSTALLATION, PLEASE READ ALL OF THE INSTRUCTIONS THOROUGHLY!

THE WARRANTY WILL BE VOID IF INSTRUCTIONS ARE NOT FOLLOWED EXACTLY. DO NOT WORK UNDER A VEHICLE SUPPORTED BY A JACK.

ALWAYS SUPPORT THE VEHICLE ON SAFETY STANDS.



NOTICE:

Do not extend the air spring by itself. If the air spring is fully extended, it cannot be reused.

Do not remove the air spring with air in it.

When installing the air spring, keep the cylinder length 260 mm (10.236 inch) or less

Removal

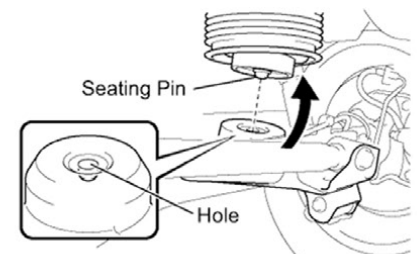
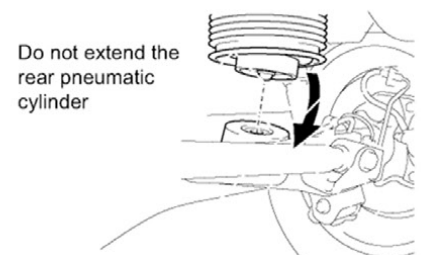
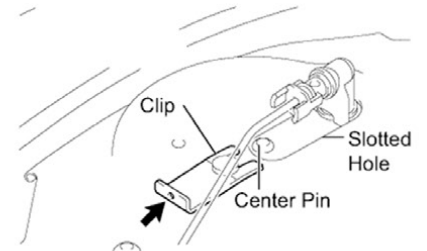
1. BLEED AIR

HINT: Disconnect the one touch air connector of the height control valve and bleed the air.

Notice: Do the work with the rear axle assembly lowered. Do the work with the shock absorber installed.

2. REMOVE REAR PNEUMATIC CYLINDER ASSEMBLY

- A. Jack up the vehicle and support the frame with safety stands.
- B. Disconnect the height control tube.
- C. Remove the clip on the upper side of the rear air spring..
- D. Remove the rear air spring.



C125643E01

ALL PARTS ARE TO BE INSTALLED BY A CERTIFIED ASE TECHNICIAN

Learn more about suspension parts on our website.