

ALL PARTS ARE TO BE INSTALLED BY A CERTIFIED ASE TECHNICIAN



**2007-2014 Cadillac Escalade**  
**2007-2013 Chevrolet Avalanche**  
**2007-2014 Chevrolet Suburban 1500**  
**2007-2014 Chevrolet Tahoe**  
**2007-2014 GMC Yukon XL 1500**

Electronic Active Suspension OEM  
Quick Complete Strut Assemblies Front

**151G-16-F**



Before you begin the removal or installation, please read all or the instructions thoroughly!  
The warranty will be void if instructions are not followed exactly. Do not work under a vehicle supported by a jack.  
Always support the vehicle safety standards.

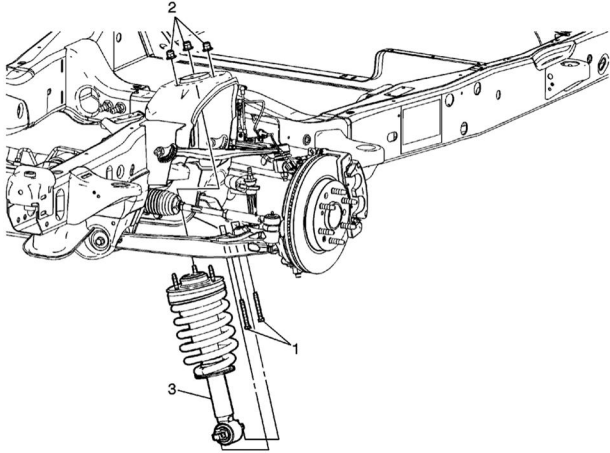


BEFORE YOU BEGIN THE REMOVAL OR INSTALLATION, PLEASE READ ALL OF THE INSTRUCTIONS THOROUGHLY!

THE WARRANTY WILL BE VOID IF INSTRUCTIONS ARE NOT FOLLOWED EXACTLY. DO NOT WORK UNDER A VEHICLE SUPPORTED BY A JACK.

**ALWAYS SUPPORT THE VEHICLE ON SAFETY STANDS.**

## Front Shock Absorber and Spring Assembly Replacement



1. Raise and support the vehicle.
2. Remove the front tire and wheel assembly.
3. Disconnect the outer tie rod from the steering knuckle

Notice: Do not use air powered tools in order to disassemble or assemble any vehicle component. Bolt torques are vital to diagnosis. You can detect bolt torques only when using hand tools. Improper bolt torques can contribute to vehicle repair problems.

4. Support the lower control arm.
5. Disconnect the electronic suspension control electrical connector.
6. Remove Fastening bolts to the strut bottom mounting bracket (#1 in picture) (37 ft lbs)
7. Remove Fastening bolts on strut mount top (#2 in picture) (37 ft lbs.)
8. Remove strut.
9. Install in reverse order.