



SUMITOMO TIRES

– 2024 CONSUMER TIRE CATALOG –





SUMITOMO TIRES

For what drives you.



Table of Contents

PASSENGER

Maximum Performance	
HTR Z5	5-7
High-Performance All-Season	
HTR A/S P03	8-11
Premium Performance Touring	
HTR ENHANCE LX2	12-15

SUV/CUV/LIGHT TRUCK

Premium Performance Touring	
HTR ENHANCE CX2	12-15

HIGHWAY ALL-SEASON SUV/LT

All-Season SUV/LT	
ENCOUNTER HT2	16-18
All-Terrain SUV/LT	
ENCOUNTER AT	19-22

WINTER

Studdable Winter Passenger/SUV	
ICE EDGE	23-25

ADDITIONAL RESOURCES

Limited Warranty	26
Technical Data	27-28
Online Resources	29

The HTR Z5 is a maximum performance summer tire that combines wicked street-tuner appeal with superior dry and wet handling at high speeds to deliver the thrills you want and the safety you need.

Equipped with cutting-edge Sumitomo technology, the HTR Z5 helps you get the best out of your modern sports car or performance sedan and maximizes your daily driving experience, especially in wet-weather conditions.

Whether you're battling stop-and-go traffic or cruising along on the open road, the Z5 has the features you need for a luxurious driving experience.



Features

► Advanced Tread Compound

Provides outstanding wet grip, control and braking power

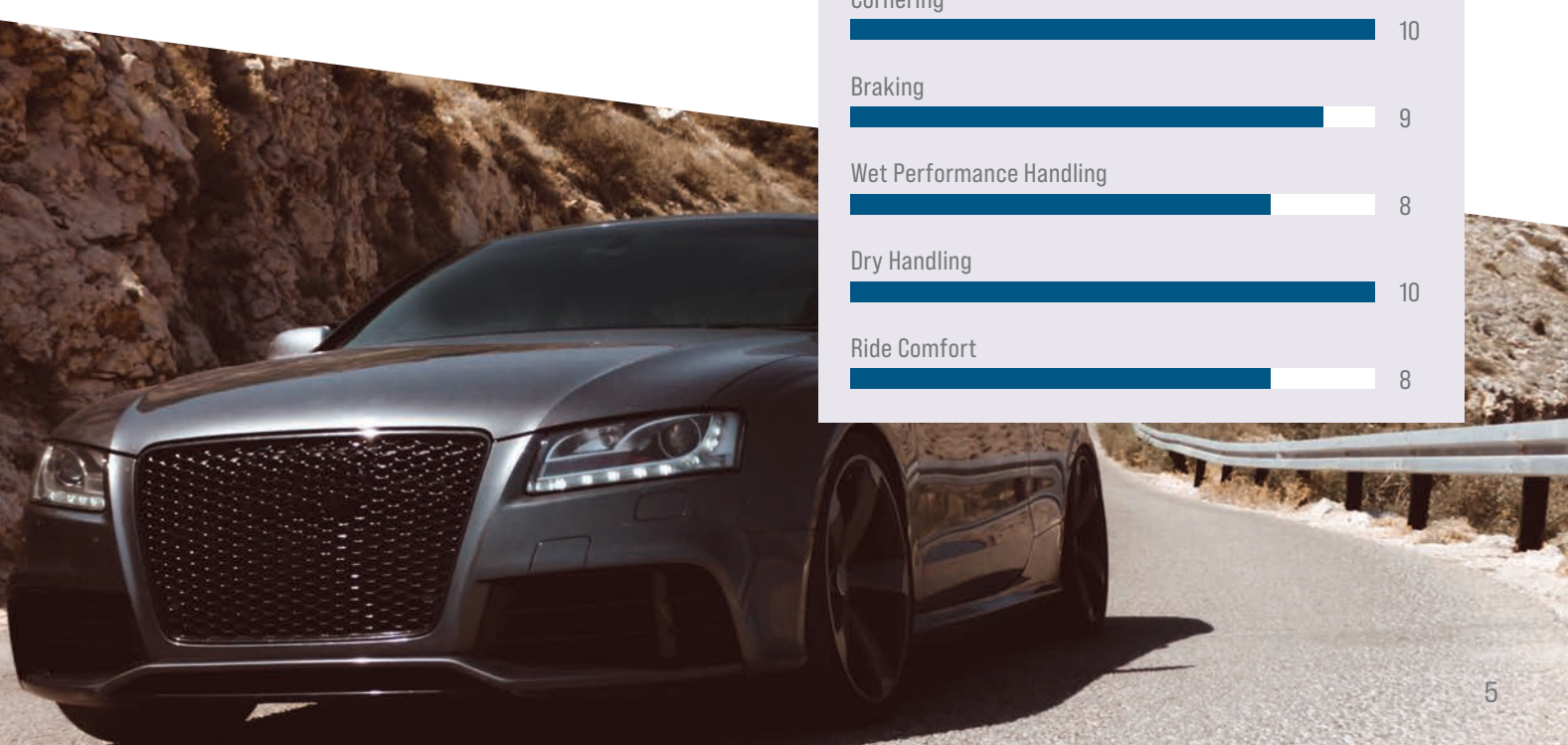
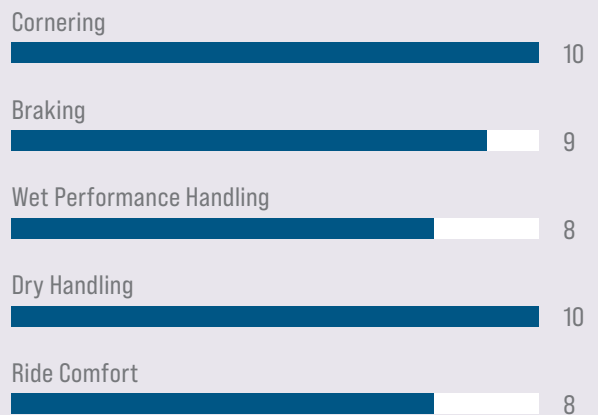
► Excellent Segment Coverage

More than 40 sizes, from 17"-20", in Y speed ratings

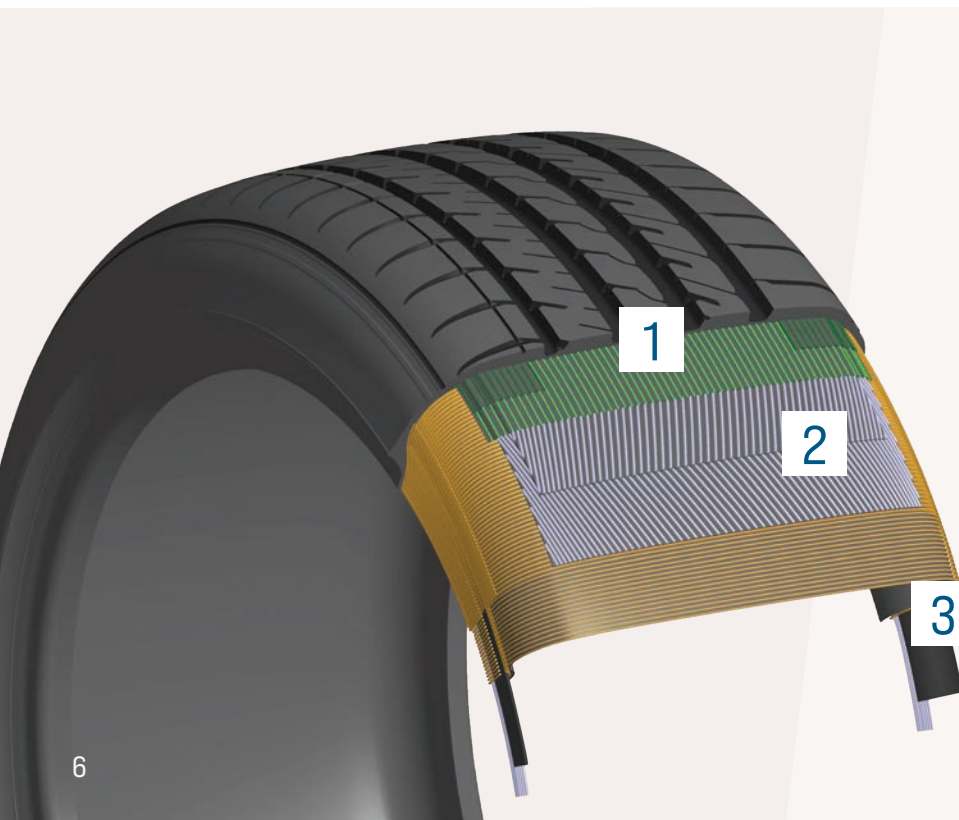
► Warranty Protection Program

Free defect replacement for life of usable tread

Performance Ratings



	SKU	Tire Size	Load Range	Service Description	UTQG	Measuring Rim Width (in.)	Approved Rim Width		Maximum		Overall Diameter (in.)	Section Width (in.)	Tread Width (in.)	Static Loaded Radius (in.)	Revs. Per Mile	Tread Depth	Ship Weight (lbs.)
							Min. (in.)	Max. (in.)	Air (lbs psi)	Load (lbs)							
17	SUMI-HTR90	205/50ZR17	XL	93Y	320 AA A	6.5	5.5	7.5	50	1433	25.1	8.5	7.3	11.6	837	9	21.4
	SUMI-HTR96	215/45ZR17	XL	91Y	320 AA A	7.0	7.0	8.0	50	1356	24.6	8.5	7.4	11.4	842	9	22.3
	SUMI-HTR71	225/45ZR17	XL	94Y	320 AA A	7.5	7.0	8.5	50	1477	25.0	9.0	7.8	11.5	834	9	23.2
	SUMI-HTR55	245/45ZR17	XL	99Y	320 AA A	8.0	7.5	9.0	50	1709	25.7	9.7	8.5	11.8	813	10	25.1
	SUMI-HTR61	255/40ZR17	SL	98Y	320 AA A	9.0	8.5	10.0	50	1653	25.0	10.4	9.1	11.6	832	10	24.7
	SUMI-HTR63	275/40ZR17	XL	98Y	320 AA A	9.5	9.0	11.0	51	1653	25.7	11.1	9.7	11.8	813	10	27.6
18	SUMI-HTR14	225/45ZR18	XL	95Y	320 AA A	7.5	7.0	8.5	50	1521	25.9	9.0	7.8	12.0	800	9	24.7
	SUMI-HTR91	235/45ZR18	XL	98Y	320 AA A	8.0	7.5	9.0	50	1653	26.3	9.4	8.1	12.2	788	9	25.1
	SUMI-HTR17	245/45ZR18	XL	100Y	320 AA A	8.0	7.5	9.0	50	1764	26.7	9.7	8.5	12.3	781	10	28.2
	SUMI-HTR21	255/45ZR18	XL	103Y	320 AA A	8.5	8.0	9.5	50	1929	27.0	10.2	8.8	12.4	771	10	28.7
	SUMI-HTR23	215/40ZR18	XL	89Y	320 AA A	7.5	7.0	8.5	50	1279	24.8	8.7	7.6	11.6	837	9	22.1
	SUMI-HTR78	225/40ZR18	XL	92Y	320 AA A	8.0	7.5	9.0	50	1389	25.1	9.2	8.0	11.7	826	9	23.2
	SUMI-HTR82	235/40ZR18	XL	95Y	320 AA A	8.5	8.0	9.5	50	1521	25.4	9.6	8.3	11.8	818	9	25.1
	SUMI-HTR75	245/40ZR18	XL	97Y	320 AA A	8.5	8.0	9.5	50	1609	25.7	9.9	8.7	12.0	805	10	26.0
	SUMI-HTR19	255/40ZR18	XL	99Y	320 AA A	9.0	8.5	10.0	50	1709	26.0	10.4	9.1	12.1	798	10	26.9
	SUMI-HTR56	265/40ZR18	XL	101Y	320 AA A	9.5	9.0	10.5	50	1819	26.3	10.8	9.4	12.2	788	10	27.8
	SUMI-HTR68	275/40ZR18	XL	103Y	320 AA A	9.5	9.0	11.0	50	1929	26.7	11.1	9.7	12.3	781	10	29.5
	SUMI-HTR83	245/35ZR18	XL	92Y	320 AA A	8.5	8.0	9.5	50	1389	24.8	9.8	8.8	11.6	837	10	24.3
SUMI-HTR26	255/35ZR18	XL	94Y	320 AA A	9.0	8.5	10.0	50	1477	25.0	10.2	9.1	11.7	829	10	25.4	
SUMI-HTR85	265/35ZR18	XL	97Y	320 AA A	9.5	9.0	10.5	50	1609	25.3	10.7	9.5	11.8	818	10	26.2	
SUMI-HTR84	275/35ZR18	XL	99Y	320 AA A	9.5	9.0	11.0	50	1709	25.6	10.9	9.8	11.9	813	10	27.6	
SUMI-HTR25	285/35ZR18	XL	101Y	320 AA A	10.0	9.5	11.0	50	1819	25.9	11.4	10.2	12.0	803	10	30.9	
SUMI-HTR33	285/30ZR18	XL	97Y	320 AA A	10.0	9.5	10.5	50	1609	24.8	11.6	10.4	11.6	837	10	28.4	



Next-Level Technology & Design

- 1 Full-Width Nylon Band**
Optimizes high-speed stability
- 2 High-Rigidity Steel Belts**
For durability and car stability
- 3 Hard Apex Strengthens Sidewall**
For exceptional cornering stiffness

	SKU	Tire Size	Load Range	Service Description	UTQG	Measuring Rim Width (in.)	Approved Rim Width		Maximum		Overall Diameter (in.)	Section Width (in.)	Tread Width (in.)	Static Loaded Radius (in.)	Revs. Per Mile	Tread Depth	Ship Weight (lbs.)
							Min. (in.)	Max. (in.)	Air (lbs psi)	Load (lbs)							
19	SUMI-HTR94	245/45ZR19	XL	102Y	320 AA A	8.0	7.5	9.0	51	1874	27.7	9.7	8.5	12.8	751	10	28.7
	SUMI-HTR81	245/40ZR19	XL	98Y	320 AA A	8.5	8.0	9.5	50	1653	26.7	9.9	8.7	12.5	774	10	26.9
	SUMI-HTR66	255/40ZR19	XL	100Y	320 AA A	9.0	8.5	10.0	50	1764	27.0	10.4	9.1	12.6	767	10	28.9
	SUMI-HTR80	275/40ZR19	XL	105Y	320 AA A	9.5	9.0	11.0	50	2039	27.7	11.1	9.7	12.8	751	10	31.1
	SUMI-HTR97	225/35ZR19	XL	88Y	320 AA A	8.0	7.5	9.0	50	1235	25.2	9.1	8.1	11.9	818	9	23.4
	SUMI-HTR28	235/35ZR19	XL	91Y	320 AA A	8.5	8.0	9.5	50	1356	25.5	9.5	8.4	12.0	813	9	24.9
	SUMI-HTR32	245/35ZR19	XL	93Y	320 AA A	8.5	8.0	9.5	50	1433	25.8	9.8	8.8	12.1	803	10	24.5
	SUMI-HTR35	255/35ZR19	XL	96Y	320 AA A	9.0	8.5	10.0	50	1565	26.0	10.2	9.1	12.2	795	10	25.4
	SUMI-HTR64	265/35ZR19	XL	98Y	320 AA A	9.5	9.0	10.5	50	1653	26.3	10.7	9.5	12.3	786	10	28.7
	SUMI-HTR86	275/35ZR19	XL	100Y	320 AA A	9.5	9.0	11.0	50	1764	26.6	10.9	9.8	12.4	781	10	29.8
	SUMI-HTR88	285/35ZR19	XL	103Y	320 AA A	10.0	9.5	11.0	50	1929	26.9	11.4	10.2	12.5	771	10	30.0
	SUMI-HTR73	285/30ZR19	XL	98Y	320 AA A	10.0	9.5	10.5	50	1653	25.8	11.6	10.4	12.1	803	10	27.2
20	SUMI-HTR93	245/45ZR20	XL	103Y	320 AA A	8.0	7.5	9.0	50	1929	28.7	9.7	8.5	13.3	725	10	31.3
	SUMI-HTR29	245/40ZR20	XL	99Y	320 AA A	8.5	8.0	9.5	50	1709	27.7	9.9	8.7	13.0	747	10	29.3
	SUMI-HTR65	275/40ZR20	XL	106Y	320 AA A	9.5	9.0	11.0	50	2094	28.7	11.1	9.7	13.3	725	10	32.0
	SUMI-HTR42	245/35ZR20	XL	95Y	320 AA A	8.5	8.0	9.5	50	1521	26.8	9.8	8.8	12.6	774	10	27.1
	SUMI-HTR20	255/35ZR20	XL	97Y	320 AA A	9.0	8.5	10.0	50	1609	27.0	10.2	9.1	12.7	767	10	28.7
	SUMI-HTR24	275/35ZR20	XL	102Y	320 AA A	9.5	9.0	11.0	50	1874	27.6	10.9	9.8	12.9	753	10	31.1
	SUMI-HTR98	245/30ZR20	XL	90Y	320 AA A	8.5	8.0	9.0	50	1323	25.9	9.9	8.9	12.2	800	10	26.5
	SUMI-HTR18	285/30ZR20	XL	99Y	320 AA A	10.0	9.5	10.5	50	1709	26.8	11.6	10.4	12.6	774	10	30.4

Next-Level Technology & Design

1 Wide Circumferential Grooves

Evacuate water from the tread area for advanced hydroplaning resistance

2 Increased Shoulder and Contact Patch

Ensures even distribution of pressure to prevent irregular wear and improve handling performance



Performance That Elevates The Ordinary

The HTR A/S P03 provides the sporty performance you crave from your vehicle. This all-season, high-performance tire delivers significantly enhanced wet braking distance, superior grip and handling, extended tread life and outstanding winter traction, ensuring your drive will never be the same.

Featuring Sumitomo's new, advanced "fin"-shaped tread design, speed ratings in the fastest-growing W-rated segment, and 65 sizes with a focus on larger rim diameters, the HTR A/S P03 is ideal for all-season drivers seeking a combination of high performance and impressive handling for their sports car, sedan or crossover.



Consumer Warranty Protection Package

- 65,000-mile/105,000-km Treadwear for H & V-Rated Sizes
- 45,000-mile/72,000-km Treadwear for W-Rated Sizes
- 2-Year, 24/7 Tire Roadside Assistance
- 1-Year Tire Road Hazard Protection Plan
- 30-Day Test Drive
- Lifetime Replacement for Workmanship and Material Defects



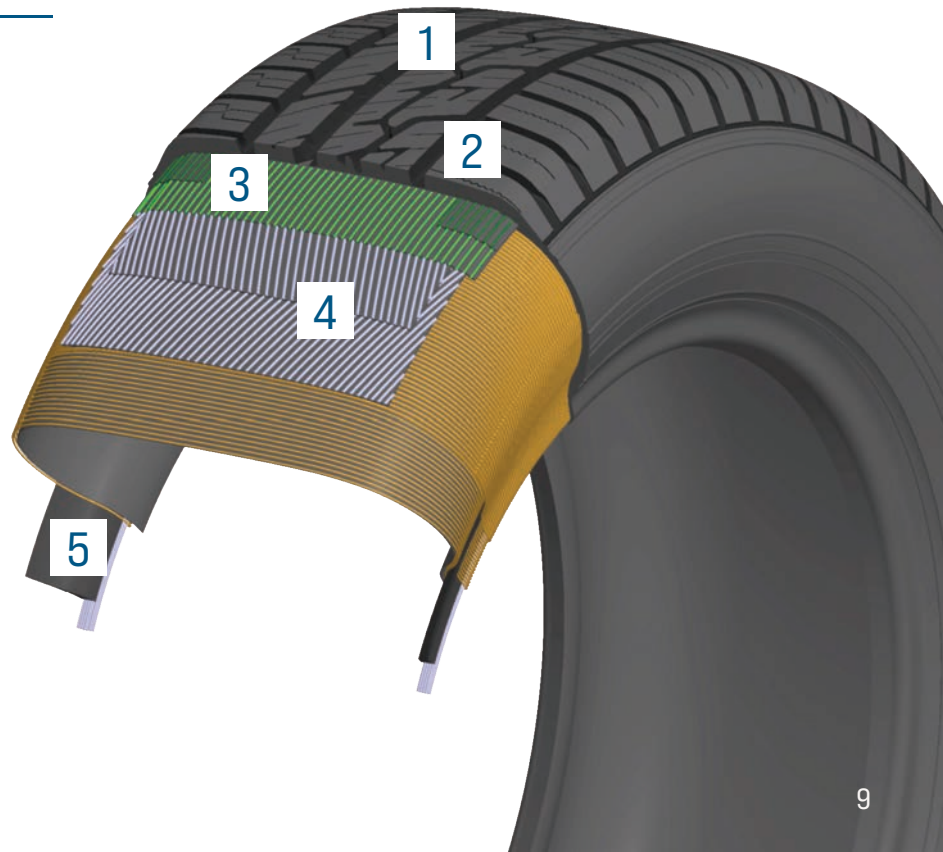


Cutting-Edge Technology & Design

- 1 Optimized Tread Design**
Reduces profile deformation while cornering, providing better handling and stability
- 2 Water Evacuation Channels**
New “fin” design reduces hydroplaning risk, while water evacuation channels provide better water drainage for enhanced wet-weather performance
- 3 Multi-Sipe Technology**
“Miura-Ori” sipes create less distortion, improving all-weather handling and winter-traction performance
- 4 Crossed-Design Grooves and Sipes**
Enhance road contact to maximize optimal grip in wintry conditions

Built to Perform, Inside & Out

- 1 3D Sipes**
Provide more contact with road surface for improved bite versus standard sipes
- 2 Silica-Enhanced Tread Compound**
Provides superior wet traction and extended wear performance
- 3 Full-Width Nylon Band**
Increases high-speed stability
- 4 Reinforced Steel Belts**
Enhance durability
- 5 Solid, High-Tension Bead Apex**
Strengthens sidewall for exceptional cornering stiffness



	SKU	Tire Size	Load Range	Service Description	UTQG	Measuring Rim Width (in.)	Approved Rim Width		Maximum		Overall Diameter (in.)	Section Width (in.)	Tread Width (in.)	Static Loaded Radius (in.)	Revs. Per Mile	Tread Depth	Ship Weight (lbs.)	
							Min. (in.)	Max. (in.)	Air (lbs psi)	Load (lbs)								
15	SUMI-ASP28	195/65R15	SL	91H	640 A A	6.0	5.5	7.0	51	1356	25.1	8.0	6.2	11.3	844	10	19.4	
	SUMI-ASP59	215/65R16	SL	98H	640 A A	6.5	6.0	7.5	51	1653	27.1	8.8	6.9	12.2	783	10	23.8	
	SUMI-ASP48	215/60R16	XL	99V	640 A A	6.5	6.0	7.5	50	1709	26.3	8.8	7.1	11.9	806	10	24.6	
	SUMI-ASP85	185/55R16	SL	83H	640 A A	6.0	5.0	6.5	51	1074	24.0	7.6	6.4	11.1	873	10	19.4	
16	SUMI-ASP82	195/55R16	SL	87V	640 A A	6.0	5.5	7.0	51	1201	24.4	7.9	6.7	11.2	863	10	20.4	
	SUMI-ASP41	205/55R16	XL	94H	640 A A	6.5	5.5	7.5	50	1477	24.9	8.4	7.1	11.4	846	10	23.1	
	SUMI-ASP57	215/55R16	XL	97V	640 A A	7.0	6.0	7.5	50	1609	25.3	8.9	7.4	11.5	834	10	25.1	
	SUMI-ASP31	195/50R16	SL	84V	640 A A	6.0	5.5	7.0	51	1102	23.7	7.9	7.0	10.9	887	10	19.4	
	SUMI-ASP70	205/50R16	SL	87V	640 A A	-	-	-	51	1201	24.1	8.1	-	-	863	10	21.1	
	SUMI-ASP76	225/65R17	SL	102H	640 A A	6.5	6.0	8.0	51	1874	28.6	9.1	7.2	12.9	741	10	27.8	
	SUMI-ASP77	235/65R17	XL	108V	640 A A	7.0	6.5	8.5	50	2205	29.1	9.5	7.5	13.1	729	10	32.5	
	SUMI-ASP03	205/55R17	XL	95V	640 A A	6.5	5.5	7.5	50	1521	25.9	8.4	7.1	11.9	812	10	23.8	
	SUMI-ASP08	215/55R17	SL	94W	540 A A	7.0	6.0	7.5	51	1477	26.3	8.9	7.4	12.0	800	10	22.8	
	SUMI-ASP88	225/55R17	XL	101W	540 A A	7.0	6.0	8.0	50	1819	26.8	9.2	7.8	12.2	788	10	25.1	
	SUMI-ASP89	235/55R17	SL	99W	540 A A	7.5	6.5	8.5	51	1709	27.2	9.6	8.1	12.4	777	10	28.7	
	17	SUMI-ASP12	205/50R17	XL	93W	540 A A	6.5	5.5	7.5	50	1433	25.1	8.4	7.3	11.6	836	10	23.2
SUMI-ASP58		215/50R17	SL	91W	540 A A	7.0	6.0	7.5	51	1356	25.5	8.9	7.7	11.7	824	10	26.9	
SUMI-ASP66		225/50R17	SL	94W	540 A A	7.0	6.0	8.0	51	1477	25.9	9.2	8.0	11.9	812	10	23.1	
SUMI-ASP69		235/50R17	SL	96W	540 A A	7.5	6.5	8.5	51	1565	26.3	9.6	8.4	12.0	800	10	26.5	
SUMI-ASP18		245/50R17	SL	99W	540 A A	7.5	7.0	8.5	51	1709	26.7	10.0	8.7	12.2	791	10	28.7	
SUMI-ASP51		205/45R17	XL	88W	540 A A	7.0	6.5	7.5	50	1235	24.3	8.1	7.1	11.3	856	10	21.9	
SUMI-ASP53		215/45R17	XL	91W	540 A A	7.0	7.0	8.0	50	1356	24.7	8.4	7.4	11.4	843	10	21.6	
SUMI-ASP71		225/45R17	XL	94W	540 A A	7.5	7.0	8.5	50	1477	25.0	8.9	7.8	11.5	833	10	22.7	
SUMI-ASP54		235/45R17	SL	94W	540 A A	8.0	7.5	9.0	51	1477	25.4	9.3	8.1	11.7	821	10	23.2	
SUMI-ASP55		245/45R17	XL	99W	540 A A	8.0	7.5	9.0	50	1709	25.7	9.6	8.5	11.8	812	10	25.6	
SUMI-ASP50		245/40R17	XL	95W	540 A A	8.5	8.0	9.5	50	1521	24.7	9.8	8.7	11.4	843	10	24.4	
SUMI-ASP04		275/40R17	SL	98W	540 A A	9.5	9.0	11.0	51	1653	25.7	10.9	9.8	11.8	812	10	28.7	
18		SUMI-ASP05	235/65R18	SL	106H	640 A A	7.0	6.5	8.5	51	2094	30.1	9.5	7.5	13.6	703	10	31.6
		SUMI-ASP34	225/60R18	SL	100V	640 A A	6.5	6.0	8.0	51	1764	28.7	9.1	7.4	13.1	735	10	28.3
		SUMI-ASP49	235/60R18	XL	107V	640 A A	7.0	6.5	8.5	50	2149	29.2	9.5	7.8	13.3	723	10	32.4
	SUMI-ASP68	245/60R18	SL	105H	640 A A	7.0	7.0	8.5	51	2039	29.7	9.8	8.1	13.4	714	10	34.4	
	SUMI-ASP19	215/55R18	SL	95H	640 A A	7.0	6.0	7.5	51	1521	27.3	8.9	7.4	12.5	771	10	28.1	
	SUMI-ASP92	225/55R18	SL	98V	640 A A	7.0	6.0	8.0	51	1653	27.8	9.2	7.8	12.7	758	10	29.9	
	SUMI-ASP72	245/55R18	SL	103W	540 A A	7.0	7.5	8.5	51	1929	28.6	10.0	8.4	13.0	738	10	30.6	
	SUMI-ASP26	225/50R18	SL	95W	540 A A	7.0	6.0	8.0	51	1521	26.9	9.2	8.0	12.4	782	10	28.3	
	SUMI-ASP13	235/50R18	XL	101W	540 A A	7.5	6.5	8.5	50	1819	27.3	9.6	8.4	12.5	771	10	28.9	
	SUMI-ASP06	215/45R18	XL	93W	540 A A	7.0	7.0	8.0	50	1433	25.7	8.4	7.4	11.9	811	10	22.4	
	SUMI-ASP14	225/45R18	XL	95W	540 A A	7.5	7.0	8.5	50	1521	26.0	8.9	7.8	12.0	800	10	23.6	
	SUMI-ASP09	235/45R18	SL	94W	540 A A	8.0	7.5	9.0	51	1477	26.4	9.3	8.1	12.2	790	10	25.5	
	SUMI-ASP17	245/45R18	XL	100W	540 A A	8.0	7.5	9.0	50	1764	26.7	9.6	8.5	12.3	782	10	28.5	
	SUMI-ASP78	225/40R18	XL	92W	540 A A	8.0	7.5	9.0	50	1389	25.1	9.1	8.0	11.7	827	10	23.6	
SUMI-ASP83	235/40R18	XL	95W	540 A A	8.5	8.0	9.5	50	1521	25.4	9.5	8.3	11.8	818	10	24.7		
SUMI-ASP75	245/40R18	XL	97W	540 A A	8.5	8.0	9.5	50	1609	25.7	9.8	8.7	11.9	809	10	24.9		
SUMI-ASP07	255/40R18	XL	99W	540 A A	9.0	8.5	10.0	50	1709	26.0	10.2	9.1	12.0	800	10	28.2		
SUMI-ASP24	255/35R18	XL	94W	540 A A	9.0	8.5	10.0	50	1477	25.0	10.2	9.1	11.7	830	10	26.1		

HTR A/S P03 | Passenger

High-Performance All-Season

SKU	Tire Size	Load Range	Service Description	UTQG	Measuring Rim Width (in.)	Approved Rim Width		Maximum		Overall Diameter (in.)	Section Width (in.)	Tread Width (in.)	Static Loaded Radius (in.)	Revs. Per Mile	Tread Depth	Ship Weight (lbs.)	
						Min. (in.)	Max. (in.)	Air (lbs psi)	Load (lbs)								
SUMI-ASP21	225/55R19	SL	99V	640 A A	7.0	6.0	8.0	51	1709	28.8	9.2	7.8	13.2	730	10	27.1	
SUMI-ASP86	235/55R19	XL	105W	540 A A	7.5	6.5	8.5	50	2039	29.2	9.6	8.1	13.4	720	10	34.4	
SUMI-ASP67	245/55R19	SL	103H	640 A A	7.5	7.0	8.5	51	1929	29.6	10.0	8.4	13.5	711	10	35.4	
SUMI-ASP15	225/45R19	SL	92W	540 A A	7.5	7.0	8.5	51	1389	27.0	8.9	7.8	12.6	768	10	24.2	
SUMI-ASP23	235/45R19	XL	99W	540 A A	8.0	7.5	9.0	50	1709	27.4	9.3	8.1	12.7	760	10	25.3	
19	SUMI-ASP94	245/45R19	SL	98W	540 A A	8.0	7.5	9.0	51	1653	27.7	9.6	8.5	12.8	752	10	28.4
	SUMI-ASP11	255/45R19	SL	100V	640 A A	8.5	8.0	9.5	51	1764	28.1	10.0	8.8	13.0	742	10	31.0
	SUMI-ASP98	235/40R19	XL	96V	640 A A	8.5	8.0	9.5	50	1565	26.4	9.5	8.3	12.3	785	10	23.7
	SUMI-ASP81	245/40R19	SL	94W	540 A A	8.5	8.0	9.5	51	1477	26.7	9.8	8.7	12.4	777	10	30.0
	SUMI-ASP39	255/40R19	XL	100W	540 A A	9.0	8.5	10.0	50	1764	27.0	10.2	9.1	12.6	768	10	28.4
	SUMI-ASP02	275/40R19	SL	101W	540 A A	9.5	9.0	11.0	51	1819	27.7	10.9	9.8	12.8	752	10	31.0
	SUMI-ASP35	255/35R19	XL	96W	540 A A	9.0	8.5	10.0	50	1565	26.0	10.2	9.1	12.2	797	10	26.6
20	SUMI-ASP25	235/55R20	SL	102H	640 A A	7.5	6.5	8.5	51	1874	30.2	9.6	8.1	13.9	697	10	33.1
	SUMI-ASP29	245/50R20	SL	102V	640 A A	7.5	7.0	8.5	51	1874	29.7	10.0	8.7	13.7	708	10	34.7
	SUMI-ASP93	245/45R20	XL	103W	540 A A	8.0	7.5	9.0	50	1929	28.7	9.6	8.5	13.3	724	10	29.6
	SUMI-ASP22	255/45R20	XL	105W	540 A A	8.5	8.0	9.5	50	2039	29.1	10.0	8.8	13.5	715	10	29.9
	SUMI-ASP38	245/40R20	SL	95V	640 A A	8.5	8.0	9.5	51	1521	27.7	9.8	8.7	12.9	749	10	29.6
	SUMI-ASP65	275/40R20	XL	106W	540 A A	9.5	9.0	11.0	50	2094	28.7	10.9	9.8	13.3	725	10	33.8
	SUMI-ASP20	255/35R20	SL	97W	540 A A	-	-	-	51	1609	27.0	10.0	-	-	768	10	28.0
SUMI-ASP37	275/35R20	XL	102W	540 A A	9.5	9.0	11.0	50	1874	27.6	10.9	9.8	12.9	752	10	31.1	



One Family of Tires for Every Driver

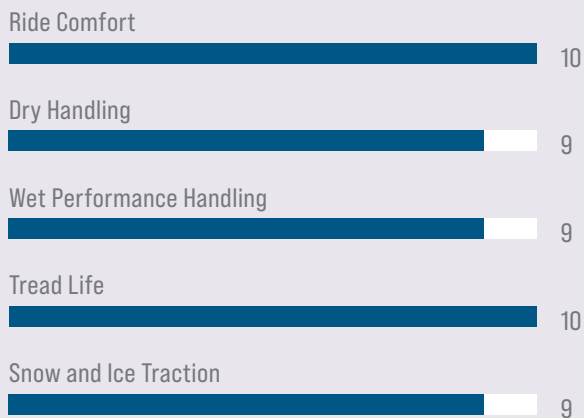
Introducing the Sumitomo Enhance family of tires! Available in three fitments, with over 55 sizes, this complete line has the right fit for your vehicle and driving style.

The Enhance LX2 is an all-season touring tire with a high-comfort ride that's designed for a variety of road conditions. The Enhance CX2 is the smart choice for SUV and CUV drivers seeking a tire that's tough enough to handle heavy loads while still delivering dependable year-round performance.

No matter what you drive or how you drive, now's the perfect time to join the Sumitomo family and experience the new Enhance!



Performance Ratings



LX2 | CX2



Progressive Design. Precision Performance.

- 1 3D Zigzag Sipes**
Boost block stability and reduce irregular wear, while creating more biting edges and improving winter performance
- 2 Optimized Contact Patch**
Distributes road surface pressure evenly to provide extended tire life
- 3 Cross-Designed Chamfer**
Boosts traction and grip for better winter and wet-surface performance
- 4 “Bending” Sipe Technology**
Creates rigidity in center block to maintain stability, while providing crisp highway response and driving characteristics
- 5 Shoulder Blocks With Lateral Grooves**
Enhance wet handling and reduce road noise

Enhance Your Peace of Mind with an Industry-Leading Protection Program

- 90,000-mile/140,000-km Treadwear for T-Rated
- 75,000-mile/120,000-km Treadwear for H & V-Rated
- 65,000-mile/105,000-km Treadwear for T, H, & V-Rated CX2
- 2-Year, 24/7 Tire Roadside Assistance
- 1-Year Tire Road Hazard Protection Plan
- 45-Day Test Drive
- Defect Replacement for the Life of Usable Tread



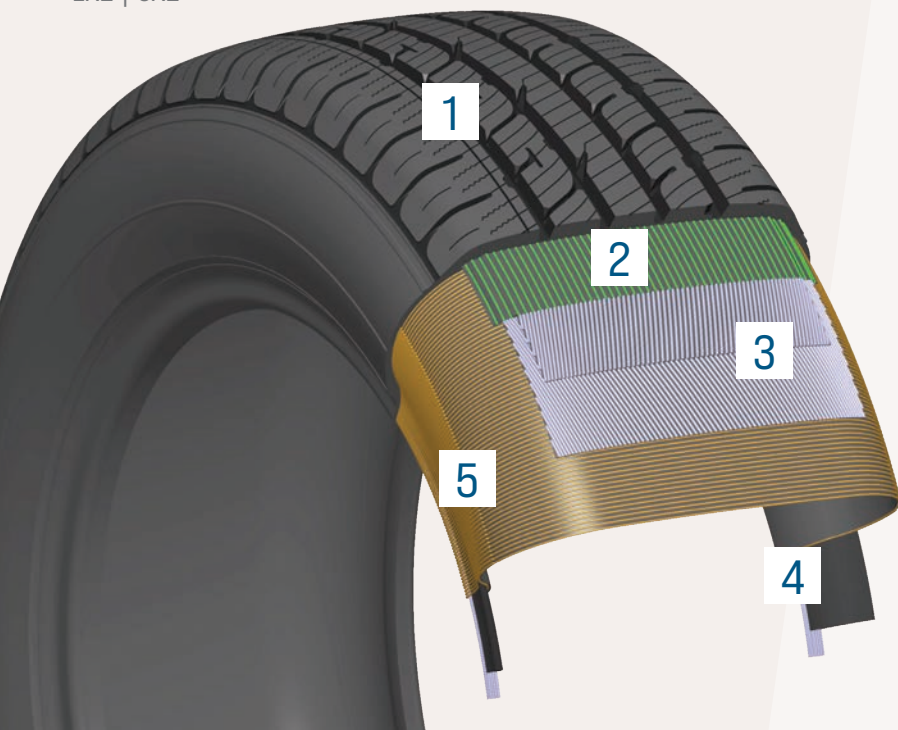
HTR Enhance LX2

SKU	Tire Size	Load Range	Service Description	UTQG	Measuring Rim Width (in.)	Approved Rim Width		Maximum		Overall Diameter (in.)	Section Width (in.)	Tread Width (in.)	Static Loaded Radius (in.)	Revs. Per Mile	Tread Depth	Ship Weight (lbs.)
						Min. (in.)	Max. (in.)	Air (lbs psi)	Load (lbs)							
15 SUMI-ENL33	215/70R15	SL	98T	800 A B	6.5	5.5	7.0	51	1653	27.0	8.8	6.7	12.1	783	11	28.0
SUMI-ENL10	175/65R15	SL	84H	700 A A	5.0	5.0	6.0	51	1102	24.0	7.0	5.6	10.9	877	10	17.9
SUMI-ENL27	185/65R15	SL	88H	700 A A	5.5	5.0	6.5	51	1235	24.5	7.5	5.9	11.1	865	10	19.4
SUMI-ENL28	195/65R15	SL	91H	700 A A	6.0	5.5	7.0	51	1356	25.0	8.0	6.2	11.3	845	10	18.5
SUMI-ENL30	205/65R15	SL	94H	700 A A	6.0	5.5	7.5	51	1477	25.5	8.3	6.5	11.5	832	10	22.3
SUMI-ENL73	185/60R15	XL	88H	700 A A	5.5	5.0	6.5	50	1235	23.9	7.5	6.1	10.8	889	11	18.5
SUMI-ENL40	195/60R15	SL	88H	700 A A	6.0	5.5	7.0	51	1235	24.3	8.0	6.5	11.0	871	10	18.1
SUMI-ENL86	185/55R15	SL	82V	660 A A	6.0	5.0	6.5	51	1047	23.0	7.6	6.4	10.6	911	10	18.1
16 SUMI-ENL12	215/70R16	SL	100H	700 A A	6.5	5.5	7.0	51	1764	27.9	8.8	6.7	12.6	755	10	26.0
SUMI-ENL77	225/70R16	SL	103H	700 A A	6.5	6.0	7.5	51	1929	28.5	8.8	7.0	12.8	740	10	27.3
SUMI-ENL53	205/65R16	SL	95H	700 A A	6.0	5.5	7.5	51	1521	26.5	8.3	6.5	12.0	800	10	22.9
SUMI-ENL83	225/65R16	SL	100H	700 A A	6.5	6.0	8.0	51	1764	27.5	9.1	7.2	12.4	771	10	26.2
SUMI-ENL98	235/65R16	SL	103T	800 A B	7.0	6.5	8.5	51	1929	28.1	9.5	7.5	12.6	760	11	30.4
SUMI-ENL18	205/60R16	SL	92V	660 A A	6.0	5.5	7.5	51	1389	25.7	8.3	6.8	11.7	821	10	20.5
SUMI-ENL47	215/60R16	SL	95T	800 A B	6.5	6.0	7.5	51	1521	26.3	8.8	7.1	11.9	811	11	22.3
SUMI-ENL46	215/60R16	SL	95V	660 A A	6.5	6.0	7.5	51	1521	26.2	8.8	7.1	11.9	811	10	22.5
SUMI-ENL52	225/60R16	SL	98H	700 A A	6.5	6.0	8.0	51	1653	26.7	9.1	7.4	12.0	795	10	25.4
SUMI-ENL41	205/55R16	SL	91H	700 A A	6.5	5.5	7.5	51	1356	24.9	8.4	7.1	11.4	845	10	20.7
17 SUMI-ENL31	215/65R17	SL	99T	800 A B	6.5	6.0	7.5	51	1709	28.1	8.8	6.9	12.7	755	11	29.3
SUMI-ENL76	225/65R17	SL	102T	800 A B	6.5	6.0	8.0	51	1874	28.6	9.1	7.2	12.9	742	11	27.8
SUMI-ENL74	225/65R17	SL	102H	700 A A	6.5	6.0	8.0	51	1874	28.5	9.1	7.2	12.9	742	10	27.6
SUMI-ENL87	235/65R17	SL	104T	800 A B	7.0	6.5	8.5	51	1984	29.1	9.5	7.5	13.1	732	11	33.5
SUMI-ENL82	235/65R17	SL	104H	700 A A	7.0	6.5	8.5	51	1984	29.1	9.5	7.5	13.1	732	11	32.4
SUMI-ENL11	215/60R17	SL	96T	800 A B	6.5	6.0	7.5	51	1565	27.3	8.8	7.1	12.4	778	11	25.4
SUMI-ENL54	225/60R17	SL	99V	660 A A	6.5	6.0	8.0	51	1709	27.7	9.1	7.4	12.6	764	10	25.6
SUMI-ENL07	235/60R17	SL	102H	700 A A	7.0	6.5	8.5	51	1874	28.2	9.5	7.8	12.7	753	11	31.3
SUMI-ENL08	215/55R17	SL	94V	660 A A	7.0	6.0	7.5	51	1477	26.3	8.9	7.4	12.0	800	10	22.3
SUMI-ENL88	225/55R17	SL	97V	660 A A	7.0	6.0	8.0	51	1609	26.8	9.2	7.8	12.2	788	10	26.7
SUMI-ENL89	235/55R17	XL	103V	660 A A	7.5	6.5	8.5	50	1929	27.2	9.6	8.1	12.4	778	11	28.7
SUMI-ENL13	205/50R17	XL	93V	660 A A	6.5	5.5	7.5	50	1433	25.1	8.4	7.3	11.6	837	11	22.0
SUMI-ENL58	215/50R17	XL	95V	660 A A	7.0	6.0	7.5	50	1521	25.5	8.9	7.7	11.7	823	11	24.5
SUMI-ENL66	225/50R17	XL	98V	660 A A	7.0	6.0	8.0	50	1653	25.9	9.2	8.0	11.9	811	11	25.1
18 SUMI-ENL34	235/55R18	SL	100V	660 A A	7.5	6.5	8.5	51	1764	28.1	9.6	8.1	12.9	749	11	27.8
SUMI-ENL25	225/50R18	XL	99V	660 A A	7.0	6.0	8.0	50	1709	26.9	9.2	8.0	12.4	778	11	28.3
SUMI-ENL94	235/50R18	XL	101V	660 A A	7.5	6.5	8.5	50	1819	27.3	9.6	8.4	12.6	769	11	29.5

HTR Enhance CX2

	SKU	Tire Size	Load Range	Service Description	UTQG	Measuring Rim Width (in.)	Approved Rim Width		Maximum		Overall Diameter (in.)	Section Width (in.)	Tread Width (in.)	Static Loaded Radius (in.)	Revs. Per Mile	Tread Depth	Ship Weight (lbs.)
							Min. (in.)	Max. (in.)	Air (lbs psi)	Load (lbs)							
16	SUMI-ENC53	235/70R16	SL	106T	680 A B	7.0	6.0	8.0	51	2094	29.0	9.4	7.4	13.0	729	11	31.3
17	SUMI-ENC54	245/65R17	SL	107H	680 A A	7.0	7.0	8.5	51	2149	29.5	9.7	7.8	13.3	719	11	33.5
18	SUMI-ENC32	255/65R18	SL	111T	600 A B	7.5	7.0	9.0	51	2403	31.1	10.2	8.1	14.0	683	11	38.4
	SUMI-ENC49	235/60R18	XL	107V	600 A A	7.0	6.5	8.5	50	2149	29.1	9.4	7.8	13.2	726	11	32.2
	SUMI-ENC68	245/60R18	SL	105H	680 A A	7.0	7.0	8.5	51	2039	29.6	9.7	8.1	13.4	716	11	35.1
19	SUMI-ENC72	255/60R19	SL	109H	680 A A	7.5	7.0	9.0	51	2271	31.1	10.2	8.4	14.1	680	11	36.8
	SUMI-ENC86	235/55R19	XL	105V	600 A A	7.5	6.5	8.5	50	2039	29.2	9.6	8.1	13.4	720	11	33.1
	SUMI-ENC66	245/55R19	SL	103H	680 A A	7.5	7.0	8.5	51	1929	29.6	9.9	8.5	13.5	711	11	34.4
20	SUMI-ENC02	235/50R19	SL	99V	600 A A	7.5	6.5	8.5	51	1709	28.3	9.6	8.4	13.0	742	11	30.6
	SUMI-ENC09	255/50R19	XL	107V	600 A A	8.0	7.0	9.0	50	2149	29.1	10.4	9.1	13.3	723	11	34.2
	SUMI-ENC03	235/55R20	SL	102H	680 A A	7.5	6.5	8.5	51	1874	30.2	9.6	8.1	13.9	697	11	34.2
	SUMI-ENC04	255/55R20	XL	110H	600 A A	8.0	7.0	9.0	50	2337	31.0	10.4	8.8	14.2	680	11	38.6
	SUMI-ENC84	255/50R20	XL	109V	600 A A	8.0	7.0	9.0	50	2271	30.1	10.4	9.1	13.8	699	11	35.1
	SUMI-ENC85	265/50R20	XL	111V	600 A A	8.5	7.5	9.5	50	2403	30.5	10.8	9.5	14.0	690	11	38.1
21	SUMI-ENC11	275/45R20	XL	110H	600 A A	9.0	8.5	10.5	50	2337	29.8	10.7	9.5	13.7	701	11	35.7
	SUMI-ENC21	P295/45R20	XL	114H	600 A A	10.0	9.5	11.0	50	2601	30.5	11.6	10.2	14.0	685	11	40.8
	SUMI-ENC07	285/45R22	XL	114H	600 A A	9.5	9.0	10.5	50	2601	32.1	11.1	9.9	14.8	648	11	45.8
22	SUMI-ENC25	P305/45R22	XL	118H	600 A A	10.0	9.5	11.5	50	2910	32.8	11.9	10.6	15.1	635	12	50.7
	SUMI-ENC06	265/40R22	XL	106H	680 A A	9.5	9.0	10.5	50	2094	30.4	10.6	9.4	14.2	683	11	37.3
	SUMI-ENC27	305/40R22	XL	114H	600 A A	11.0	10.0	12.0	50	2601	31.6	12.2	10.8	14.6	658	11	46.2

LX2 | CX2



Next-Level Technology & Design

- 1 Advanced Tread Compound**
For superior traction
- 2 Jointless Nylon Cap Ply**
For stable high-speed handling
- 3 High-Rigidity Steel Belts**
For durability and car stability
- 4 Reinforced Bead Apex**
For cornering strength and high-speed stability
- 5 High-Density Casing Ply**
For extended durability

Performance for Every Encounter

The all-new Encounter HT2 provides the traction, toughness and versatility that modern SUV, CUV and pickup drivers demand. This all-season light-truck tire builds on the legendary performance of its predecessor, delivering incredible wet braking, impressive dry handling, extended tread life and a smooth, quiet ride, year-round.

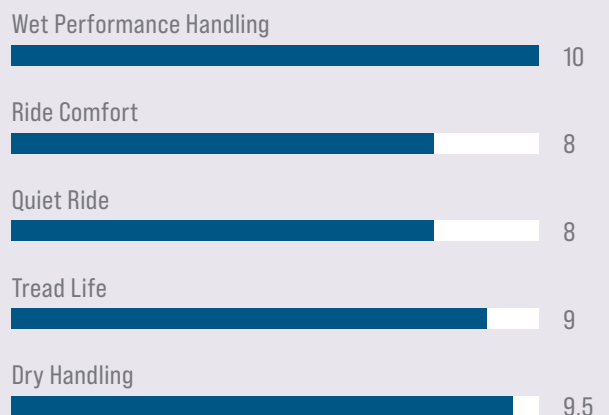
Featuring an innovative tread design, 52 metric and LT sizes in H-, T- and S-speed ratings, and an outstanding warranty package, the Encounter HT2 is a great choice for drivers seeking a reliable, comfortable and long-lasting tire for their everyday on-road adventures.



Premium Warranty Package

- ▶ 60,000-mile/100,000-km Treadwear for Metric and LT sizes
- ▶ 2-Year, 24/7 Tire Roadside Assistance
- ▶ 1-Year Tire Road Hazard Protection Plan
- ▶ 30-Day Free Test Drive
- ▶ Free Lifetime Replacement for Workmanship and Material Defects

Performance Ratings

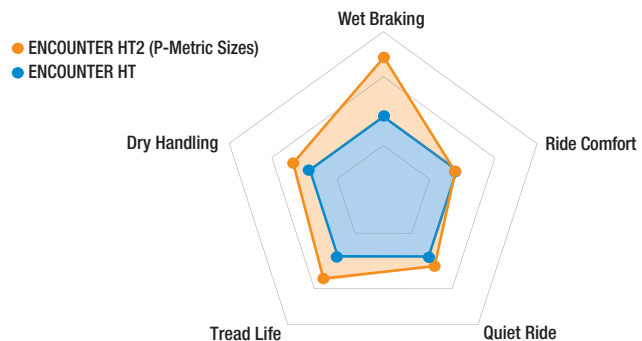




Cutting-Edge Technology and Design

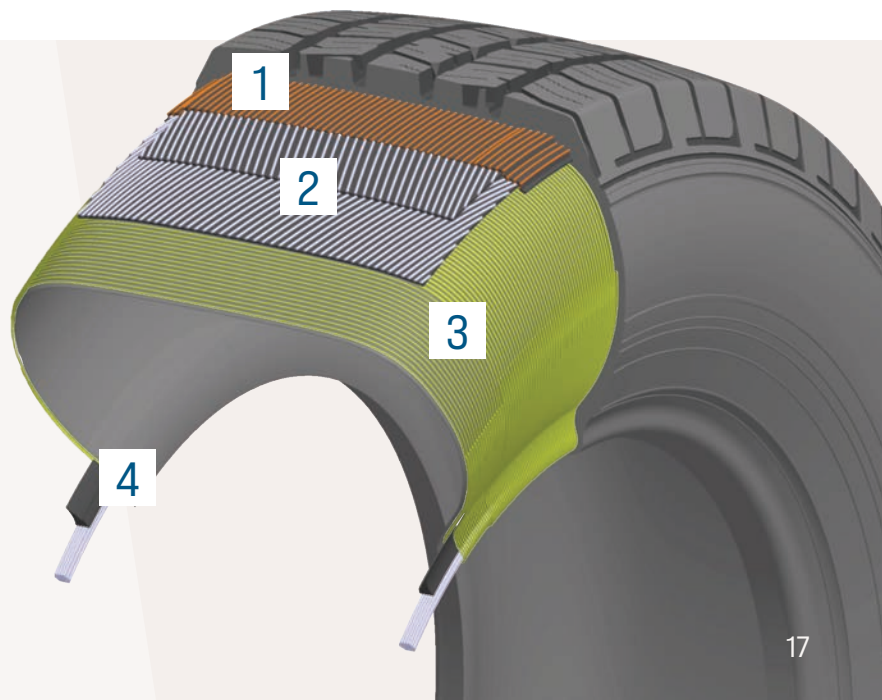
- 1 Wave-Shaped Lateral Sipes**
Deliver incredible braking power on wet and dry surfaces
- 2 Wide Circumferential Grooves**
Quickly channel water away from the tread for excellent wet-road grip and enhanced hydroplaning resistance
- 3 Optimized Tread Design**
Provides improved dry handling and stability in every season
- 4 Smooth, Curved Shoulder Grooves**
Reduce road noise and vibration for a quiet, comfortable ride

Improved Performance



Enhanced from Within

- 1 Full-Width, Jointless Nylon Overlay Plies**
Optimize high-speed stability
- 2 Reinforced Twin Steel Belts**
Deliver lasting durability
- 3 3-Ply Sidewall**
Supports increased load conditions
- 4 Reinforced Bead Apex**
For cornering strength and high-speed stability



	SKU	Tire Size	Load Range	Service Description	UTQG	Measuring Rim Width (in.)	Approved Rim Width		Maximum		Overall Diameter (in.)	Section Width (in.)	Tread Width (in.)	Static Loaded Radius (in.)	Revs. Per Mile	Tread Depth	Ship Weight (lbs.)
							Min. (in.)	Max. (in.)	Air (lbs psi)	Load (lbs)							
16	SUMI-HT223	225/75R16	104T	SL	640 A B	6.0	6.0	7.5	51	1984	29.3	8.6	6.6	13.1	721	11	33
	SUMI-HT278	235/75R16	112T	SL	640 A B	6.5	6.0	8.0	51	2469	29.8	9.1	6.8	13.3	709	12	35
	SUMI-HT236	245/75R16	111T	SL	640 A B	7.0	6.5	8.0	51	2403	30.5	9.6	7.1	13.5	696	12	38
	SUMI-HT237	265/75R16	116T	SL	640 A B	7.5	7.0	9.0	51	2756	31.7	10.3	7.7	14.0	670	12	42
	SUMI-HT212	215/70R16	100T	SL	640 A B	6.5	5.5	7.0	51	1764	27.9	8.5	6.4	12.6	756	11	30
	SUMI-HT277	225/70R16	103T	SL	640 A B	6.5	6.0	7.5	51	1929	28.4	8.8	6.7	12.8	741	11	31
	SUMI-HT251	235/70R16	106T	SL	640 A B	7.0	6.0	8.0	51	2094	29.0	9.3	7.0	13.0	729	11	34
	SUMI-HT280	245/70R16	107T	SL	640 A B	7.0	6.5	8.0	51	2149	29.5	9.6	7.3	13.2	717	12	35
	SUMI-HT255	255/70R16	111T	SL	640 A B	7.5	6.5	8.5	51	2403	30.1	10.0	7.6	13.4	703	12	37
	SUMI-HT293	265/70R16	112T	SL	640 A B	8.0	7.0	9.0	51	2469	30.6	10.5	7.9	13.6	692	12	41
17	SUMI-HT271	245/70R17	110T	SL	640 A B	7.0	6.5	8.0	51	2337	30.6	9.6	7.3	13.7	690	12	36
	SUMI-HT290	265/70R17	115T	SL	640 A B	8.0	7.0	9.0	51	2679	31.7	10.5	7.9	14.2	667	12	41
	SUMI-HT276	225/65R17	102H	SL	640 A A	6.5	6.0	8.0	51	1874	28.5	8.8	6.9	12.9	742	11	30
	SUMI-HT282	235/65R17	104T	SL	640 A B	7.0	6.5	8.5	51	1984	29.1	9.3	7.2	13.1	730	11	34
	SUMI-HT253	245/65R17	107H	SL	640 A A	7.0	7.0	8.5	51	2149	29.5	9.6	7.5	13.3	718	12	37
	SUMI-HT258	265/65R17	112T	SL	640 A B	8.0	7.5	9.5	51	2469	30.6	10.5	8.1	13.7	697	12	40
	SUMI-HT233	265/70R18	116T	SL	640 A B	8.0	7.0	9.0	51	2756	32.6	10.5	7.9	14.6	647	12	45
	SUMI-HT205	235/65R18	106H	SL	640 A A	7.0	6.5	8.5	51	2094	30.0	9.3	7.2	13.6	704	11	35
18	SUMI-HT232	255/65R18	111T	SL	640 A B	7.5	7.0	9.0	51	2403	31.1	10.0	7.8	14.0	684	12	40
	SUMI-HT256	265/65R18	114T	SL	640 A B	8.0	7.5	9.5	51	2601	31.5	10.5	8.1	14.2	673	12	42
	SUMI-HT241	275/65R18	116T	SL	640 A B	8.0	7.5	9.5	51	2756	32.1	10.8	8.3	14.4	663	12	44
	SUMI-HT249	235/60R18	103H	SL	640 A A	7.0	6.5	8.5	51	1929	29.1	9.3	7.4	13.2	726	11	33
	SUMI-HT268	245/60R18	105H	SL	640 A A	7.0	7.0	8.5	51	2039	29.6	9.6	7.7	13.4	715	12	35
	SUMI-HT291	265/60R18	110T	SL	640 A B	8.0	7.5	9.5	51	2337	30.5	10.5	8.3	13.8	695	12	41
	SUMI-HT234	235/55R18	100H	SL	640 A A	7.5	6.5	8.5	51	1764	28.1	9.4	7.6	12.9	748	11	32
19	SUMI-HT272	255/60R19	109H	SL	640 A A	7.5	7.0	9.0	51	2271	31.1	10.0	8.0	14.1	679	12	38
	SUMI-HT221	225/55R19	99V	SL	640 A A	7.0	6.0	8.0	51	1709	28.8	9.0	7.2	13.2	730	11	30
	SUMI-HT224	235/55R19	101H	SL	640 A A	7.5	6.5	8.5	51	1819	29.2	9.4	7.6	13.4	721	11	33
	SUMI-HT266	245/55R19	103T	SL	640 A B	7.5	7.0	8.5	51	1929	29.6	9.8	7.9	13.6	709	12	35
	SUMI-HT222	235/45R19	99V	XL	640 A A	8.0	7.5	9.0	50	1709	27.4	9.1	8.0	12.8	758	11	29
	SUMI-HT228	245/60R20	107H	SL	640 A A	7.0	7.0	8.5	51	2149	31.6	9.6	7.7	14.4	668	12	41
	SUMI-HT215	275/60R20	115H	SL	640 A A	8.0	7.5	9.5	51	2679	33.0	10.8	8.6	15.0	641	12	46
20	SUMI-HT225	235/55R20	102H	SL	640 A A	7.5	6.5	8.5	51	1874	30.2	9.4	7.6	13.9	695	11	34
	SUMI-HT229	255/55R20	107H	SL	640 A A	8.0	7.0	9.0	51	2149	31.0	10.2	8.2	14.2	678	12	38
	SUMI-HT248	275/55R20	117H	XL	640 A A	8.5	7.5	9.5	50	2833	32.0	10.9	8.9	14.6	659	12	42
	SUMI-HT227	245/50R20	102H	SL	640 A A	7.5	7.0	8.5	51	1874	29.7	9.8	8.1	13.7	707	12	34
	SUMI-HT284	255/50R20	105H	SL	640 A A	8.0	7.0	9.0	51	2039	30.1	10.2	8.3	13.9	698	12	37
	SUMI-HT285	265/50R20	107T	SL	640 A B	8.5	7.5	9.5	51	2149	30.5	10.7	8.8	14.0	689	12	41
	SUMI-HT274	275/45R20	110H	XL	640 A A	9.0	8.5	10.5	50	2337	29.8	10.6	9.3	13.8	699	12	39
	SUMI-HT297	275/50R22	111H	SL	640 A A	8.5	7.5	9.5	51	2403	32.9	11.0	9.1	15.2	638	12	45
22	SUMI-HT296	275/45R22	112V	XL	640 A A	9.0	8.5	10.5	50	2469	31.8	10.6	9.3	14.8	654	11	43
	SUMI-HT231	285/45R22	114H	XL	640 A A	9.5	9.0	10.5	50	2601	32.1	11.0	9.6	14.9	648	12	43
	SUMI-HT217	LT235/85R16	120/116S	E	-	6.5	6.0	7.5	80	3085/2755	31.7	9.1	6.8	14.6	658	15	44
LT16	SUMI-HT226	LT225/75R16	115/112T	E	-	6.0	6.0	7.5	80	2680/2470	29.3	8.6	6.6	13.6	711	14	37
	SUMI-HT238	LT245/75R16	120/116S	E	-	7.0	6.5	8.0	80	3085/2755	30.5	9.6	7.1	14.1	684	15	42
	SUMI-HT239	LT265/75R16	123/120S	E	-	7.5	7.0	9.0	80	3415/3085	31.7	10.3	7.7	14.6	660	15	48
LT17	SUMI-HT295	LT235/80R17	120/117S	E	-	6.5	6.0	8.0	80	3085/2835	31.8	9.1	6.8	14.7	656	15	44
	SUMI-HT219	LT245/75R17	121/118R	E	-	7.0	6.5	8.0	80	3195/2910	31.5	9.6	7.1	14.6	661	15	44
	SUMI-HT270	LT245/70R17	119/116S	E	-	7.0	6.5	8.0	80	3000/2755	30.6	9.6	7.4	14.2	681	15	44
	SUMI-HT292	LT265/70R17	121/118S	E	-	8.0	7.0	9.0	80	3195/2910	31.7	10.5	8.0	14.7	658	15	48
LT18	SUMI-HT230	LT265/70R18	124/121S	E	-	8.0	7.0	9.0	80	3525/3195	32.6	10.5	8.0	15.2	638	15	48
	SUMI-HT240	LT275/65R18	123/120T	E	-	8.0	8.0	9.5	80	3415/3085	32.1	10.8	8.4	14.9	650	15	50

Encounter Your Road to a New Adventure

Discover the new standard of all-season drivability and all-terrain durability with the Sumitomo Encounter AT: The go-anywhere, do-anything all-terrain light truck tire for CUV's, SUV's and Pickups.

The Encounter AT is the ultimate choice for your vehicle, featuring advanced Sumitomo technology that delivers exceptional performance and versatility at an attractive price that doesn't break the bank.

The Encounter AT's refined, yet aggressive design combines superior all-surface traction with rugged durability for confident on-road drivability and off-road strength. With a sturdy five-rib design and deep tread depths, the Encounter AT plows through heavy snow and mud while providing the strength and stability to tow a boat to the lake, haul a load to a job site, or simply explore the open road in style.

Add in the extended-mileage tread compound and best-in-class warranty protection, and you'll quickly see that the Encounter AT is your best road to a new adventure.

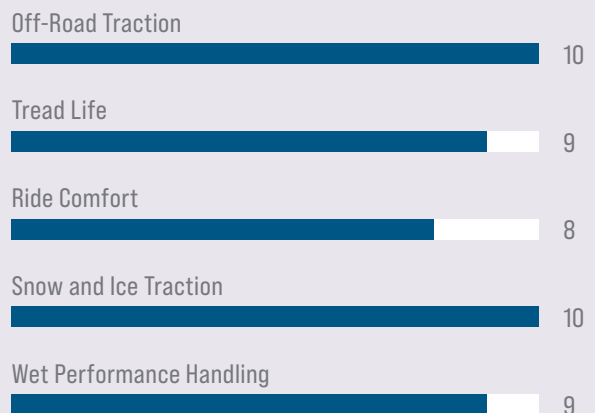


Encounter Your Road to Peace of Mind

Consumer Warranty Protection Package

- ▶ 60,000-mile/100,000-km Treadwear for Metric and LT Sizes
- ▶ 2-Year, 24/7 Tire Roadside Assistance
- ▶ 1-Year Tire Road Hazard Protection Plan
- ▶ 30-Day Test Drive
- ▶ Lifetime Replacement for Workmanship and Material Defects

Performance Ratings



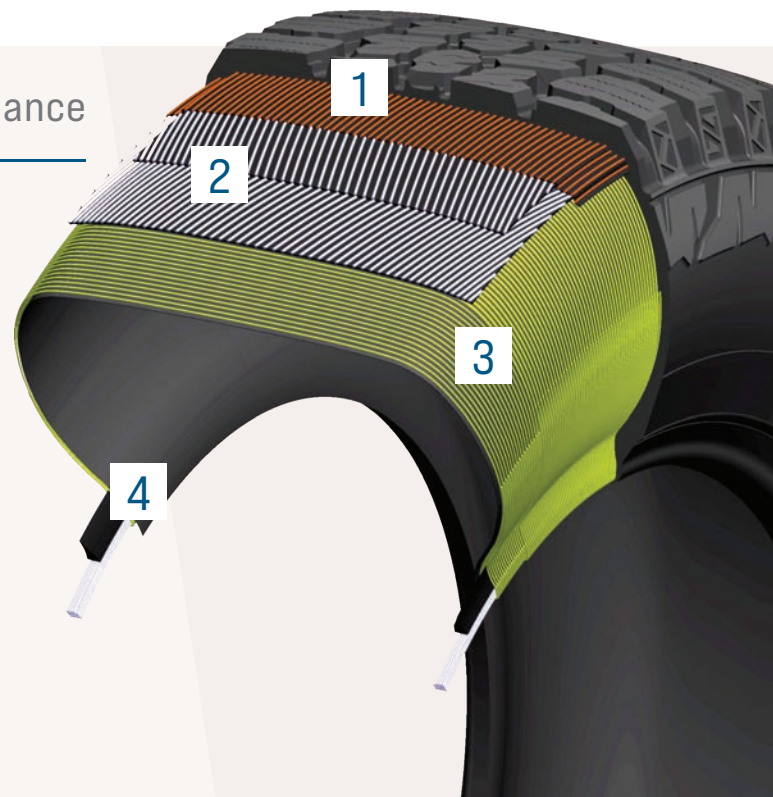


Encounter Your Road to All-Terrain Versatility

- 1 Non-Directional, 5-Rib Tread Design**
Optimizes ride stability and protects against irregular wear
- 2 Deep Circumferential Grooves**
Boost wet grip performance and provides superior wear life
- 3 Optimized Tread Pattern**
Stabilizes handling and steering response for a smooth, quiet ride
- 4 Variable-Width Shoulder Lugs**
Evacuate rocks, sand and other debris for superior off-road grip
- 5 3D Wave Sipes**
Enhance traction and performance in snow, mud and other soft surfaces
- 6 Severe Snow Certification**
Ensures reliable winter performance in heavy snow

Encounter Your Road to Built-to-Last Performance

- 1 Jointless Nylon Cap Ply**
Levels load distribution and provides smooth handling
- 2 Wide, Stiff Steel Belts**
Enhance tread stiffness for responsive handling
- 3 High-Tension Casing Ply**
Balances stability and comfort during high-speed travel
- 4 Hard Bead Apex**
Reinforces sidewall and casing for reliable towing and hauling



Key Selling Points for the Encounter AT

All-Season, All-Terrain Performance

Exceptional traction in mud and heavy snow provides control in harsh weather and on tough terrain for true all-surface performance year round.

Comfortable and Quiet Ride

Optimized tread design reduces road noise and delivers smooth, comfortable on-highway performance.

Rugged, Durable Construction

Designed from the inside out to provide versatile on-road drivability and off-road strength.

Best-In-Class Warranty Protection

Backed by a best-in-class warranty protection package for consumer confidence and peace of mind.

Aggressive Sidewall Design

Stylized with two different aggressive shoulder designs for an eye-catching appearance.

Severe Snow Certified

All sizes rated with the U.S. Tire Manufacturers Association's 3-Peak Mountain Snowflake symbol for severe snow performance.

Extended Treadwear and Mileage

Advanced tread technology is built to last and backed by a 60,000-mile treadwear warranty.



	SKU	Tire Size	Load Range	Service Description	UTQG	Measuring Rim Width (in.)	Approved Rim Width		Single Maximum		Dual Maximum		Overall Diameter (in.)	Section Width (in.)	Tread Width (in.)	Static Loaded Radius (in.)	Revs. Per Mile	Tread Depth	Ship Weight (lbs.)
							Min. (in.)	Max. (in.)	Air (lbs psi)	Load (lbs)	Air (lbs psi)	Load (lbs)							
15	SUMI-ATH64	235/75R15	SL	105T	660 A B	6.5	6.0	8.0	51	2039	-	-	29.0	9.3	7.4	12.9	729	13	34.6
	SUMI-ATH66	235/75R15	XL	109T	660 A B	6.5	6.0	8.0	50	2271	-	-	29.0	9.3	7.4	12.9	729	13	34.6
16	SUMI-ATH79	245/75R16	SL	111T	660 A B	7.0	6.5	8.0	51	2403	-	-	30.5	9.8	7.7	13.6	694	13	39.1
	SUMI-ATH81	265/75R16	SL	116T	660 A B	7.5	7.0	9.0	51	2756	-	-	31.7	10.7	8.3	14.1	669	13	44.5
	SUMI-ATH53	235/70R16	SL	106T	660 A B	7.0	6.0	8.0	51	2094	-	-	29.0	9.5	7.8	13.0	729	13	36.5
	SUMI-ATH80	245/70R16	SL	107T	660 A B	7.0	6.5	8.0	51	2149	-	-	29.6	10.0	8.1	13.2	714	13	39.9
	SUMI-ATH86	255/70R16	SL	111T	660 A B	7.5	6.5	8.5	51	2403	-	-	30.2	10.2	8.5	13.5	701	13	39.5
	SUMI-ATH93	265/70R16	SL	112T	660 A B	8.0	7.0	9.0	51	2469	-	-	30.7	10.9	8.8	13.7	689	14	43.3
	SUMI-ATH45	235/75R17	SL	109T	660 A B	6.5	6.0	8.0	51	2271	-	-	31.3	9.4	7.4	14.0	674	13	38.8
17	SUMI-ATH89	245/70R17	SL	110T	660 A B	7.0	6.5	8.0	51	2337	-	-	30.7	10.0	8.1	13.7	689	13	41.4
	SUMI-ATH10	255/70R17	SL	112T	660 A B	7.5	6.5	8.5	51	2469	-	-	31.1	10.3	8.5	13.9	679	13	42.0
	SUMI-ATH87	265/70R17	SL	115T	660 A B	8.0	7.0	9.0	51	2679	-	-	31.7	10.9	8.8	14.2	666	14	45.6
	SUMI-ATH83	P285/70R17	SL	117T	660 A B	8.5	7.5	9.5	51	2833	-	-	32.9	11.7	9.4	14.6	645	14	50.0
	SUMI-ATH55	245/65R17	SL	107T	660 A B	7.0	7.0	8.5	51	2149	-	-	29.6	9.7	8.3	13.3	719	13	38.7
	SUMI-ATH20	255/65R17	SL	110T	660 A B	7.5	7.0	9.0	51	2337	-	-	30.1	10.3	8.6	13.5	707	13	41.0
	SUMI-ATH58	265/65R17	SL	112T	660 A B	8.0	7.5	9.5	51	2469	-	-	30.6	10.7	8.9	13.7	697	13	42.8
18	SUMI-ATH52	255/70R18	SL	113T	660 A B	7.5	6.5	8.5	51	2535	-	-	32.2	10.3	8.5	14.5	654	13	44.8
	SUMI-ATH22	265/70R18	SL	116T	660 A B	8.0	7.0	9.0	51	2756	-	-	32.8	10.8	8.8	14.7	644	14	46.6
	SUMI-ATH56	265/65R18	SL	114T	660 A B	8.0	7.5	9.5	51	2601	-	-	31.5	10.7	8.9	14.1	675	13	46.1
	SUMI-ATH63	275/65R18	SL	116T	660 A B	8.0	7.5	9.5	51	2756	-	-	32.1	10.9	9.3	14.4	662	14	47.9
20	SUMI-ATH91	265/60R18	SL	110T	660 A B	8.0	7.5	9.5	51	2337	-	-	30.6	10.6	8.9	13.8	694	13	43.3
	SUMI-ATH15	275/60R20	SL	115T	660 A B	8.0	7.5	9.5	51	2679	-	-	33.0	10.9	9.3	15.0	640	13	48.4
	SUMI-ATH73	275/55R20	XL	117T	660 A B	8.5	7.5	9.5	50	2833	-	-	31.9	11.0	9.4	14.5	661	13	48.6
LT16	SUMI-ATH17	LT235/85R16	E	120/116R	-	6.5	6.0	7.5	80	3042	80	2778	31.7	9.5	7.2	14.6	658	17	47.4
	SUMI-ATH26	LT225/75R16	E	115/112R	-	6.0	6.0	7.0	80	2680	80	2470	29.3	8.7	7.1	13.5	713	17	41.4
	SUMI-ATH38	LT245/75R16	E	120/116R	-	7.0	6.5	8.0	80	3042	80	2778	30.3	9.8	7.7	14.0	688	17	48.3
	SUMI-ATH39	LT265/75R16	E	123/120R	-	7.5	7.0	8.0	80	3415	80	3085	31.5	10.6	8.3	14.5	664	18	54.5
	SUMI-ATH67	LT285/75R16	E	126/123R	-	8.0	7.5	9.0	80	3750	80	3415	32.7	11.5	8.9	15.0	640	18	61.0
LT17	SUMI-ATH95	LT235/80R17	E	120/117R	-	6.5	6.0	7.5	80	3085	80	2835	31.8	9.3	7.1	14.7	655	17	47.9
	SUMI-ATH19	LT245/75R17	E	121/118R	-	7.0	6.5	7.5	80	3195	80	2910	31.7	9.7	7.7	14.6	659	17	49.7
	SUMI-ATH70	LT245/70R17	E	119/116S	-	7.0	6.5	8.0	80	3000	80	2755	30.7	10.0	8.1	14.3	676	17	48.3
	SUMI-ATH92	LT265/70R17	E	121/118S	-	8.0	7.0	8.5	80	3195	80	2910	31.9	10.9	8.8	14.8	653	18	52.8
	SUMI-ATH84	LT285/70R17	E	121/118S	-	8.5	7.5	9.0	80	3195	80	2910	32.8	12.0	9.4	15.1	637	18	58.5
	SUMI-ATH02	LT315/70R17	E	121/118S	-	9.5	8.0	11.0	65	3195	65	2910	34.6	13.1	10.2	15.9	604	20	72.8
	SUMI-ATH30	LT265/70R18	E	124/121S	-	8.0	7.0	9.0	80	3525	80	3195	32.8	11.1	8.8	15.2	634	18	59.5
LT18	SUMI-ATH72	LT275/70R18	E	125/122S	-	8.0	7.0	8.5	80	3640	80	3305	33.4	11.2	9.1	15.5	624	18	60.6
	SUMI-ATH74	LT275/65R18	E	123/120S	-	8.0	7.5	9.0	80	3415	80	3085	32.1	10.9	9.2	14.8	651	18	59.5
	SUMI-ATH57	LT285/65R18	E	125/122S	-	8.5	8.0	10.0	80	3640	80	3305	32.5	11.5	9.6	15.0	644	18	64.2
LT20	SUMI-ATH43	LT275/65R20	E	126/123S	-	8.0	7.5	9.5	80	3750	80	3415	34.2	10.9	9.3	15.9	611	18	64.6
	SUMI-ATH75	LT265/60R20	E	121/118R	-	8.0	7.5	9.5	80	3195	80	2910	32.7	10.3	8.8	15.3	636	18	58.2
	SUMI-ATH88	LT285/60R20	E	125/122R	-	8.5	8.0	10.0	80	3640	80	3305	33.5	11.5	9.4	15.6	622	18	61.5
	SUMI-ATH90	LT285/55R20	E	122/119R	-	9.0	8.0	10.0	80	3305	80	3000	32.5	11.4	9.8	15.1	640	18	58.2
	SUMI-ATH54	LT305/55R20	E	121/118S	-	9.5	8.5	11.0	65	3195	65	2910	33.1	12.4	10.5	15.4	628	19	68.2
FLT15	SUMI-ATH44	31X10.50R15LT	C	109R	-	8.5	7.0	9.0	50	2270	-	-	30.4	10.9	8.3	13.9	697	18	48.5
FLT20	SUMI-ATH71	35X12.50R20LT	E	121Q	-	10.0	8.5	11.0	65	3195	-	-	34.7	13.0	10.8	16.2	604	20	76.3

Get an Edge on Winter with the Ice Edge

The Sumitomo Ice Edge winter tire gives you the edge on snow-, ice- and slush-covered roads. Developed with Sumitomo's most advanced cutting "Edge" technology, the Ice Edge delivers an outstanding combination of cold weather grip and superior stability, handling performance and smooth ride comfort.

Certified with the USTMA 3PMSF symbol for severe snow performance, the versatile Ice Edge has been specially engineered to meet the needs of users in a variety of winter driving environments. This tire is loaded with design features that specifically target the unique demands of cold-weather driving, such as a specially-formulated tread compound tuned to superior performance in low temperatures and Sumitomo's unique 3D sipe technology that provides the ultimate "bite" on snow and ice.

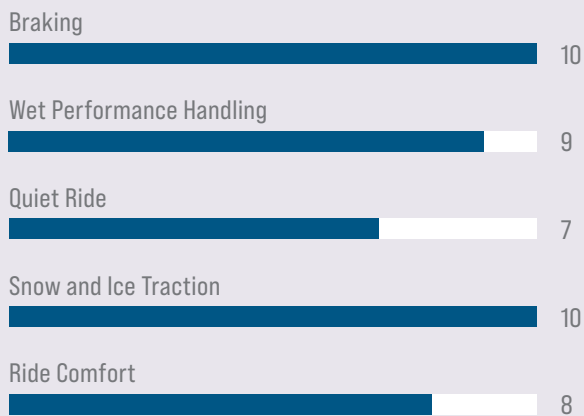
And with a broad, progressive size range, value-focused price and the confidence and security of a free lifetime warranty for defects, the Ice Edge delivers at the point of sale as well.



Peace of Mind Through Sleet and Snow

- ▶ Lifetime replacement for workmanship and material defects
- ▶ Certified with the USTMA 3PMSF symbol for severe snow performance

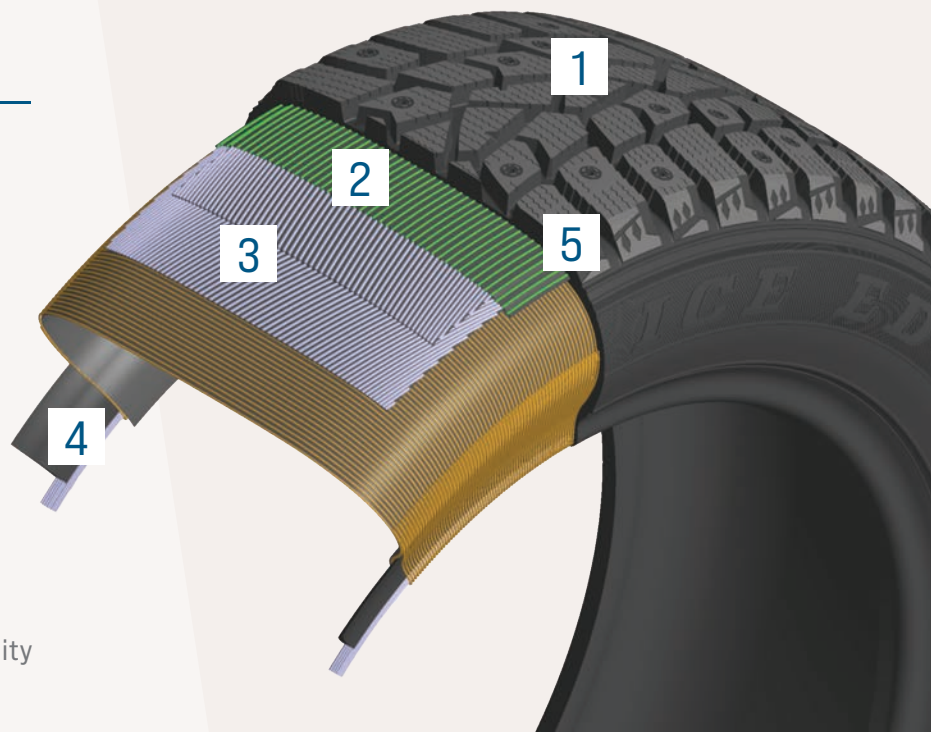
Performance Ratings



	SKU	Tire Size	Service Description	Measuring Rim Width (in.)	Approved Rim Width		Maximum		Overall Diameter (in.)	Section Width (in.)	Tread Width (in.)	Static Loaded Radius (in.)	Revs. Per Mile	Tread Depth	Ship Weight (lbs.)	Stud Size
					Min. (in.)	Max. (in.)	Air (lbs psi)	Load (lbs)								
14	SUMI-EDG21	175/70R14/XL	88T	5.0	4.5	6.0	50	1235	23.9	7.0	5.7	10.7	886	12	15.6	12
	SUMI-EDG62	185/65R14	86T	5.5	5.0	6.5	44	1168	23.6	7.4	6.2	10.6	905	12	18.0	12
15	SUMI-EDG33	215/70R15	98T	6.5	5.5	7.0	44	1653	27.0	8.9	7.0	12.1	783	12	17.6	12
	SUMI-EDG10	175/65R15	84T	5.0	5.0	6.0	44	1102	24.2	6.9	5.8	10.9	877	12	16.7	12
	SUMI-EDG27	185/65R15	88T	5.5	5.0	6.5	44	1235	24.6	7.4	6.2	11.1	865	12	19.1	12
	SUMI-EDG28	195/65R15	91T	6.0	5.5	7.0	44	1356	25.2	7.8	6.5	11.3	845	12	21.2	12
	SUMI-EDG30	205/65R15	94T	6.0	5.5	7.5	44	1477	25.6	8.2	6.8	11.5	832	12	20.7	12
	SUMI-EDG73	185/60R15	84T	5.5	5.0	6.5	44	1102	24.0	7.3	6.2	10.8	889	12	18.9	12
	SUMI-EDG60	195/60R15	88T	6.0	5.5	7.0	44	1235	24.3	7.8	6.5	11.0	871	12	19.5	12
	SUMI-EDG98	185/55R15	82T	6.0	5.0	6.5	44	1047	23.2	7.4	6.1	10.6	911	12	18.1	12
16	SUMI-EDG12	215/70R16	100T	6.5	5.5	7.0	44	1764	28.2	8.8	7.0	12.6	755	13	29.7	13
	SUMI-EDG78	225/70R16	103T	6.5	6.0	7.5	44	1929	28.6	9.0	7.3	12.8	740	13	30.1	13
	SUMI-EDG53	235/70R16	106T	7.0	6.0	8.0	44	2149	29.1	9.5	7.6	13.0	730	13	31.8	13
	SUMI-EDG80	245/70R16	107T	7.0	6.5	8.0	44	2469	29.7	9.8	8.0	13.2	717	13	36.1	13
	SUMI-EDG93	265/70R16	112T	8.0	7.0	9.0	44	1929	30.7	10.8	8.3	13.6	692	13	34.8	12
	SUMI-EDG54	205/65R16	95T	6.0	5.5	7.5	44	2094	26.6	8.2	6.8	12.0	800	12	22.4	12
	SUMI-EDG55	215/65R16	98T	6.5	6.0	7.5	44	1521	27.2	8.7	7.2	12.2	786	12	28.4	12
	SUMI-EDG83	225/65R16	100T	6.5	6.0	8.0	44	1653	27.7	9.0	7.5	12.4	771	12	27.1	12
	SUMI-EDG99	235/65R16	103T	7.0	6.5	8.5	44	1764	28.2	9.6	7.8	12.6	760	13	31.8	12
	SUMI-EDG18	205/60R16	92T	6.0	5.5	7.5	44	1389	25.9	8.2	6.8	11.7	821	12	23.8	12
16	SUMI-EDG48	215/60R16	95T	6.5	6.0	7.5	44	1521	26.3	8.7	7.2	11.9	811	12	24.8	12
	SUMI-EDG52	225/60R16	98T	6.5	6.0	8.0	44	1653	26.9	9.0	7.4	12.0	795	13	29.7	12
	SUMI-EDG56	235/60R16	100T	7.0	6.5	8.5	44	1764	27.3	9.4	7.8	12.2	783	13	30.1	12
	SUMI-EDG81	195/55R16	87T	6.0	5.5	7.0	44	1201	24.7	7.7	6.5	11.2	862	12	20.7	12
	SUMI-EDG41	205/55R16	91T	6.5	5.5	7.5	44	1356	24.9	8.3	6.8	11.4	845	12	22.3	12
	SUMI-EDG57	215/55R16/XL	97T	7.0	6.0	7.5	50	1609	25.6	8.7	7.1	11.5	834	12	25.4	12

Built to Take on Winter's Worst

- 1 Soft Silica Tread Compound**
For enhanced grip on snow and ice
- 2 Full-Width Nylon Overlay**
With additional edge bands for superior ride stability and steel-belt security
- 3 Reinforced Twin Steel Belts**
Optimize durability and carcass strength
- 4 Solid Bead Apex**
Supports increased sidewall stiffness and strength under loaded conditions
- 5 Hard Base Compound**
For improved stud retention and handling stability



	SKU	Tire Size	Service Description	Measuring Rim Width (in.)	Approved Rim Width		Maximum		Overall Diameter (in.)	Section Width (in.)	Tread Width (in.)	Static Loaded Radius (in.)	Revs. Per Mile	Tread Depth	Ship Weight (lbs.)	Stud Size
					Min. (in.)	Max. (in.)	Air (lbs psi)	Load (lbs)								
	SUMI-EDG31	215/65R17	99T	6.5	6.0	7.5	44	1709	28.2	8.7	7.2	12.7	755	12	29.2	12
	SUMI-EDG76	225/65R17	102T	6.5	6.0	8.0	44	1874	28.7	9.0	7.5	12.9	742	13	30.0	12
	SUMI-EDG77	235/65R17/XL	108T	7.0	6.5	8.5	50	2205	29.2	9.6	7.8	13.1	732	13	32.4	13
	SUMI-EDG67	245/65R17	107T	7.0	7.0	8.5	44	2149	29.6	10.0	8.1	13.3	719	13	36.4	13
	SUMI-EDG79	215/60R17	96T	6.5	6.0	7.5	44	1565	27.5	8.5	7.2	12.4	778	12	25.6	12
	SUMI-EDG96	225/60R17	99T	6.5	6.0	8.0	44	1709	28.0	8.8	7.4	12.6	764	13	26.4	12
	SUMI-EDG07	235/60R17	102T	7.0	6.5	8.5	44	1874	28.3	9.4	7.8	12.7	753	13	31.4	12
17	SUMI-EDG87	215/55R17	94T	7.0	6.0	7.5	44	1609	26.6	8.7	7.1	12.0	800	12	23.4	12
	SUMI-EDG88	225/55R17	97T	7.0	6.0	8.0	44	1477	27.0	9.0	7.5	12.2	788	12	26.6	12
	SUMI-EDG89	235/55R17	99T	7.5	6.5	8.5	44	1709	27.3	9.5	7.8	12.4	778	12	29.2	12
	SUMI-EDG15	205/50R17/XL	93T	6.5	5.5	7.5	50	1433	25.3	8.0	6.8	11.6	837	12	23.3	12
	SUMI-EDG58	215/50R17	91T	7.0	6.0	7.5	44	1356	25.8	8.5	7.1	11.7	823	12	24.9	12
	SUMI-EDG66	225/50R17	94T	7.0	6.0	8.0	44	1477	26.1	8.8	7.4	11.9	811	12	25.1	12
	SUMI-EDG50	215/45R17/XL	91T	7.0	7.0	8.0	50	1356	24.8	8.1	7.1	11.4	842	12	22.4	12
	SUMI-EDG71	225/45R17/XL	94T	7.5	7.0	8.5	50	1477	25.2	8.6	7.4	11.5	834	12	23.8	12
	SUMI-EDG05	235/65R18	106T	7.0	6.5	8.5	44	2094	30.1	9.5	7.8	13.6	705	13	36.2	13
	SUMI-EDG35	225/60R18	100T	6.5	6.0	8.0	44	1764	29.0	8.8	7.4	13.1	736	13	28.1	12
	SUMI-EDG49	235/60R18/XL	107T	7.0	6.5	8.5	50	2149	29.4	9.4	7.8	13.2	725	13	33.5	13
	SUMI-EDG68	245/60R18	105T	7.0	7.0	8.5	44	2039	29.9	9.7	8.1	13.4	713	13	35.5	13
	SUMI-EDG91	265/60R18	110T	8.0	7.5	9.5	44	2337	30.7	10.5	8.5	13.8	694	13	38.8	13
18	SUMI-EDG92	225/55R18	98T	7.0	6.0	8.0	44	1653	28.0	8.9	7.5	12.7	758	12	29.4	12
	SUMI-EDG34	235/55R18	100T	7.5	6.5	8.5	44	1764	28.5	9.4	7.8	12.9	749	13	30.9	12
	SUMI-EDG36	255/55R18/XL	109T	8.0	7.0	9.0	50	2271	29.3	10.2	8.5	13.2	727	13	38.7	13
	SUMI-EDG13	235/50R18	97T	7.5	6.5	8.5	44	1609	27.6	9.3	7.8	12.6	769	12	29.7	12
	SUMI-EDG14	225/45R18	91T	7.5	7.0	8.5	44	1356	26.0	8.6	7.4	12.0	800	12	26.0	12
	SUMI-EDG17	245/45R18/XL	100T	8.0	7.5	9.0	50	1764	26.9	9.1	8.1	12.3	781	12	29.1	12
	SUMI-EDG86	235/55R19/XL	105T	7.5	6.5	8.5	50	2039	29.4	9.5	7.8	13.4	721	13	32.0	12
19	SUMI-EDG61	245/55R19	103T	7.5	7.0	8.5	44	1929	29.9	9.8	8.1	13.6	709	13	33.5	12
	SUMI-EDG94	245/45R19	98T	8.0	7.5	9.0	44	1653	28.0	9.2	8.1	12.8	751	12	28.8	12
20	SUMI-EDG82	245/50R20	102T	7.5	7.0	8.5	44	1874	30.0	9.1	8.1	13.7	705	13	33.9	12
	SUMI-EDG85	265/50R20	107T	8.5	7.5	9.5	44	2149	30.9	10.6	8.8	14.0	690	13	40.8	12



Cutting-Edge, Driver-Focused Design

- 1 Wide and Serrated Tread Channels**
Enhance snow grip and speeds evacuation of slush and ice
- 2 Optimized 3D Serrated Siping Pattern**
Maximizes tread “bite” on winter road surfaces
- 3 Triangular Center Tread Blocks**
Expand tread contact footprint with road surface for superior stability and handling
- 4 Optimized Stud Pin Distribution**
Maximizes performance capability when studded for winter use

Limited Warranty

SUMITOMO TIRE LIMITED WARRANTY

1. Tires Covered by This Warranty

This limited warranty applies to SUMITOMO brand steel belted radial passenger car and light truck/CUV/SUV tires bearing the complete description and serial number as required by the DOT. This warranty applies only to tires purchased after April 1, 2022. Tires purchased before that date are subject to previous published warranties. For warranties not listed here, please visit: www.sumitomotire.com/customer-support/tire-warranties

2. What is Warranted and For How Long

This warranty is effective only for tires for which claims are made within six years of the date of production, based on the production date indicated by the tire DOT serial number, or within five years of retail purchase, as indicated by an original copy of the consumer invoice, whichever is longer.

A. Material and Workmanship Warranty

Every SUMITOMO brand radial tire is warranted against defects in workmanship and materials for the life of the original useable tread. The original useable tread is defined as the total original tread depth less 2/32". Tires with 2/32" or less remaining tread depth in any groove are considered worn out by the U.S. Department of Transportation. Tires adjusted under the terms of this warranty will be replaced at the current retail price less the percentage of the original useable tread remaining on the tire.

EXCEPTIONS: A SUMITOMO tire that becomes unserviceable due to a defect in workmanship or materials within the first 2/32" of treadwear will be replaced free of charge with a comparable SUMITOMO tire. Tire uniformity claims will be accepted for adjustment only during the first 2/32" of the original tread depth. Such tires will be replaced free of charge with a comparable SUMITOMO tire. A set of four (4) tires from the same vehicle will not be accepted for out-of-round or out-of-balance claims unless the non-uniformity of all tires is verified by the tire dealer.

Any HTR A/S P03, HTR ENHANCE LX2/CX2, HTR Z5, ENCOUNTER HT, ENCOUNTER HT2 or ENCOUNTER AT that becomes unserviceable due to a defect in workmanship and materials during the life of the original useable tread will be replaced free of charge.

Any labor, balancing or disposal charges related to the replacement of a tire under the terms of this warranty are the tire owner's responsibility.

B. Mileage Warranty

The following SUMITOMO tires are warranted to achieve mileage as noted before becoming worn out at 2/32" remaining tread depth in any groove:

TIRE LINE	MILES	KILOMETERS	MONTHS	1-YEAR ROAD HAZARD
PASSENGER				
HTR A/S P03				
H/V-rated	65,000	105,000	60	✓
W-rated	45,000	72,000	48	✓
HTR ENHANCE LX2				
T-rated	90,000	140,000	72	✓
H/V-rated	75,000	120,000	60	✓
SUV / CUV / LIGHT TRUCK				
ENCOUNTER AT	60,000	100,000	60	✓
ENCOUNTER HT2	60,000	100,000	60	✓
HTR ENHANCE CX2	65,000	105,000	60	✓

EXAMPLE: If an HTR ENHANCE LX2 (H-rated) tire has reached a depth of 2/32" in any groove, and the total mileage is 45,000 miles, a credit of 40% of the current retail price will be applied to the purchase of another HTR ENHANCE LX2 replacement tire. This mileage warranty is effective for normal highway use when all the Owner's Obligations listed in Section 4 are met. The mileage warranty is void for tires used in off-highway service. It does not apply to any tires that cannot be rotated, such as staggered fitments, or any tire described in Section 3. What is Not Covered (Exclusions). A cash refund will not be given in lieu of credit toward the purchase of a comparable SUMITOMO brand tire to replace the worn tire.

3. What is Not Covered (Exclusions)

- Unserviceability due to road hazards, improper inflation, overload, irregular wear, wheel imbalance, defective vehicle mechanical components (i.e., brakes, shocks, rims) improper suspension alignment, accident, fire, theft, chemical damage, chain damage, racing, off-road use, run flat, improper installation, vandalism, or abuse.
- Tires on any vehicles registered and normally used outside the United States and Canada.
- Tires branded "Blemish", "NA" or having the DOT number removed OR disfigured.
- Any tire that has been altered to improve traction or uniformity.
- Tires presented for warranty claim by other than the original purchaser. This warranty is not transferable.
- Tires transferred to another vehicle from the one upon which they were originally installed.
- A tire whose failure is related to any previous damages and/or repairs.
- Any cost of tire repair or retreading is not covered by this warranty and will be borne solely by the tire owner.
- The Mileage Warranty is not applicable if tires are used in commercial service, have premature or irregular wear due to abusive service or defective vehicle mechanical conditions. Abusive service includes off-road use, mountain road driving, racing, or passenger car tires on pick-up, recreational or utility vehicles.

4. Owner's Obligations

- At the time of purchase, the tire(s) must be properly installed, balanced, and air pressure set to the vehicle manufacturer's recommendation. At least monthly the owner must check air pressure (when tires are cool) with an accurate air gauge and inflate to recommended level. Tires must be rotated every 6,000 miles, and the proof of compliance must be recorded on the Warranty Card.
- All warranty claims must be presented to an authorized SUMITOMO Tire dealer. To locate a dealer near you, contact TBC Brands by telephone toll-free during normal business hours at 1-866-822-4968.
- You must present your Warranty Card verifying mileage, rotation, proof of date and place of purchase, to make a Mileage Warranty claim. The name of the SUMITOMO dealer from whom the tires were purchased must be included on the form.
- You must pay any costs for mount.

5. Legal Rights

This limited warranty gives you legal rights, and you may have additional legal rights under applicable federal statutes & regulations or state law. Your legal rights under state law may vary state to state. To the extent permitted by the laws of your state, this limited warranty does not cover & expressly excludes any coverage for personal injury, property damage, loss of time, inconvenience, loss of use of your vehicle or tire, or any other incidental or consequential damages. No express warranty is given other than those expressly stated in this limited warranty booklet. Any implied warranty of merchantability, fitness for a particular purpose or otherwise, is limited in duration & expire when the tire's usable tread is exhausted as specified in this limited warranty. No implied warranty of merchantability, fitness for a particular purpose or otherwise, is given on tires used on commercial vehicles or for commercial use vehicles. This is the only warranty that applies to the SUMITOMO tires purchased by you & supersedes & replaces the terms of any previous warranty. TBC Brands neither assumes nor extends, nor authorizes any other person or entity to assume or extend on its behalf, any other or different warranty obligation.

Air Pressure - PSI

Table Based on ETRTO Data Load [LBS] & Inflation [PSI]

Index	26	27	28	29	30	31	32	33	34	35	36
80	757	778	806	826	847	875	895	916	937	964	992
81	779	799	829	848	869	897	917	938	958	986	1,019
82	801	821	851	871	901	931	951	970	991	1,020	1,047
83	823	842	874	893	923	954	973	992	1,012	1,042	1,074
84	845	864	896	926	945	976	995	1,025	1,044	1,075	1,102
85	967	896	930	948	977	1,010	1,028	1,047	1,077	1,108	1,135
86	900	918	952	981	999	1,032	1,061	1,080	1,109	1,142	1,168
87	922	950	986	1,003	1,031	1,066	1,083	1,112	1,130	1,164	1,202
88	944	972	1,008	1,036	1,053	1,088	1,116	1,145	1,163	1,197	1,235
89	977	1,004	1,042	1,069	1,097	1,133	1,161	1,189	1,206	1,241	1,279
90	1,010	1,037	1,075	1,102	1,129	1,167	1,194	1,221	1,249	1,286	1,323
91	1,043	1,069	1,109	1,135	1,162	1,200	1,227	1,254	1,281	1,319	1,356
92	1,065	1,091	1,131	1,157	1,194	1,232	1,260	1,287	1,314	1,352	1,389
93	1,098	1,123	1,165	1,201	1,227	1,265	1,293	1,330	1,357	1,396	1,433
94	1,131	1,166	1,209	1,234	1,270	1,313	1,338	1,363	1,400	1,441	1,477
95	1,164	1,199	1,243	1,267	1,303	1,346	1,382	1,407	1,443	1,485	1,521
96	1,196	1,231	1,277	1,311	1,346	1,391	1,415	1,450	1,475	1,518	1,565
97	1,229	1,263	1,310	1,344	1,379	1,425	1,459	1,494	1,518	1,563	1,609
98	1,262	1,296	1,344	1,377	1,411	1,458	1,492	1,527	1,561	1,607	1,653
99	1,306	1,339	1,389	1,432	1,466	1,514	1,548	1,581	1,615	1,662	1,709
100	1,350	1,382	1,433	1,477	1,509	1,559	1,592	1,636	1,669	1,718	1,764
101	1,394	1,425	1,478	1,521	1,563	1,615	1,647	1,679	1,723	1,773	1,819
102	1,438	1,469	1,523	1,565	1,607	1,660	1,691	1,734	1,776	1,829	1,874
103	1,482	1,523	1,579	1,609	1,650	1,705	1,747	1,788	1,820	1,873	1,929
104	1,515	1,566	1,624	1,664	1,704	1,761	1,802	1,832	1,873	1,928	1,984
105	1,559	1,609	1,669	1,708	1,748	1,806	1,846	1,886	1,927	1,984	2,039
106	1,603	1,652	1,713	1,752	1,791	1,851	1,901	1,941	1,981	2,039	2,094
107	1,646	1,695	1,758	1,796	1,846	1,907	1,946	1,985	2,035	2,095	2,149
108	1,690	1,739	1,803	1,840	1,889	1,952	2,001	2,039	2,089	2,150	2,205
109	1,734	1,782	1,848	1,895	1,943	2,008	2,056	2,104	2,143	2,206	2,271
110	1,789	1,836	1,904	1,950	1,998	2,064	2,111	2,159	2,207	2,272	2,337
111	1,844	1,890	1,960	2,005	2,063	2,131	2,178	2,224	2,272	2,339	2,403
112	1,888	1,944	2,016	2,061	2,117	2,188	2,233	2,290	2,336	2,405	2,469
113	1,943	1,998	2,072	2,116	2,171	2,244	2,299	2,344	2,401	2,472	2,535
114	1,987	2,041	2,117	2,171	2,226	2,300	2,355	2,410	2,455	2,527	2,601
115	2,053	2,106	2,184	2,237	2,291	2,367	2,421	2,475	2,530	2,605	2,679
116	2,107	2,171	2,251	2,303	2,356	2,434	2,498	2,552	2,605	2,682	2,756
117	2,173	2,225	2,307	2,369	2,432	2,513	2,565	2,617	2,681	2,760	2,833
118	2,228	2,289	2,374	2,435	2,497	2,580	2,631	2,693	2,756	2,837	2,910
119	2,294	2,354	2,441	2,512	2,573	2,659	2,719	2,770	2,832	2,915	2,998
120	2,360	2,430	2,520	2,578	2,649	2,737	2,797	2,857	2,918	3,004	3,086

NOTE: "REINFORCED" TIRES REQUIRE 6 PSI ADDED TO CARRY THE SAME LOADS AS "STANDARD" TIRES.

Technical Data

Plus-Sizing Guidelines

When considering a plus size application for a vehicle, parameters include the Original Equipment Tire Size, Speed Rating, Load Capability, Inflation Pressures, Outside Diameter (Overall Tire Diameter), and Revolutions Per Mile, as well as the space limitations of the vehicle wheel well. The plus size changeover may be for looks or for performance enhancements. In either case, lower profile tires which have wider section widths, as well as higher performance tires, normally will increase steering response and overall cornering grip since the tire footprint shape (contact patch) is usually wider and shorter than the Original Equipment tire's contact patch. To ensure proper vehicle operation, the following guidelines may be considered in relation to the original equipment tire and wheel package:

Overall Diameter

Within 2% of the original equipment fitment; optimal is within 1% and usually the shorter is better for stability, turning, acceleration, and braking.

Load and Inflation

Ensure the load carrying capacity for the vehicle is not reduced with the new tires and wheels. Calculate the new minimum inflation pressure to maintain the load equal to or greater than the Original Equipment tire and inform the consumer of the adjusted minimum inflation pressures.

Speed Rating

Using equal or higher speed rated tires ensures that durability standards and performance characteristics are not diminished.

Rim Width and Offset

Ensure the rim width is within the rim range for the selected tire size. Also maintain the offset of the original equipment tire and wheel package.

Tire and Wheel Weight

The combined weight of the new tire and wheel package should be near the Original Equipment weight. Increased weight affects the shocks, springs and brakes, as well as other suspension components.

SAFETY WARNING - Sumitomo Tire does not recommend any plus fitment that has a lower load index than the original equipment tires. Failure to follow published load and inflation specifications is very dangerous.

Note: Low-profile Sport Truck/SUV tires are sensitive to cracking when under-inflated or overloaded due to the low sidewall height and relatively stiffer sidewalls. During use, an over-flexed tire will often start cracking on the outer sidewall early in the tire life. Sumitomo Tire recommends you do not sell a 'plus' fitment size that has a lower load index than the original equipment tire. Any tires showing evidence of under-inflation, overloading, or are of inadequate load carrying capacity for the tires replaced will not qualify for warranty coverage. Shoulder wear and/or several lines (wrinkles) on the middle inner liner are common indications of under-inflation or overloading.

Clearance

Since Plus-Sized Tires and Wheels are usually wider than original, consideration must be given to wheel-well space and any potential interference with suspension, chassis, or bodywork. The new tire and wheel package must have ample clearance to avoid the possibility of contacting another component of the vehicle through turns, dips, and bumps. Tire deflection, lock-to-lock steering, jounce, and rebound all must be considered.

Brakes

Concern for increased weight of the wheel and tire package must focus on the performance range of the braking system. As the rim diameter increases and the tire widths increase, the weight is concentrated farther out on the lever arm in a rotational mass, which increases the stress on the brakes (or decreases their effectiveness). Also of concern is the overall weight of the tire and wheel and the effect on the braking system. Consideration must be given to upgrading the braking system to maintain braking capability within operational limits.

Electronics

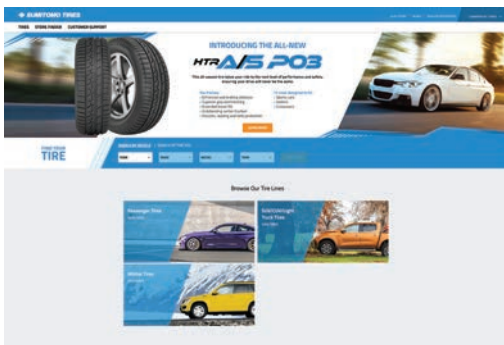
Since the ABS, ECS, engine management systems, speedometer, odometer, transmission shift points, speed control system, and inflation warning systems use information based on the revolutions per mile of the tire, attention must be given to maintaining a tire RPM close to the original design. Staying within 1% is optimal. Vehicle dealers should be contacted to reset the electronic codes for affected electronics.

Of special concern is any tire inflation warning system that may need recalibrating after a Plus Application. Air pressure is critical for optimum tire performance and tire safety. Clearance for the monitors within the tire cavity may also be of concern. As the air cavity reduces in height, the clearance to the monitors may be reduced and therefore may be more vulnerable to road impact damage, as well as damage during tire installation. Location (distance from the hub) may or may not affect the monitors' performance. Contact the vehicle manufacturer for clarification.

Alignment

Since the shape of the tire footprint has been altered (normally shorter and wider than OE), there may be a need to modify or restrict the range of the static wheel alignment within the factory specifications. When plus sizing, be aware that the new tire's footprint shape may require an alignment arrangement which minimizes scrub and/or camber thrust.

Online Resources



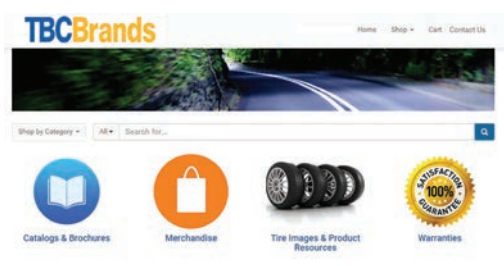
sumitomotire.com

- Complete Product Information
- Sumitomo News
- Downloadable Product Catalogs
- Store Finder



facebook.com/SumitomoTire

- Product Reviews
- Photos
- Recommendations



www.shoptbcbrands.com

- Convenient Access To All Marketing Materials, Including Catalogs, Brochures, Warranties and More!
- Downloadable Tire Photography and Logos
- Promotional Items and Wearables



SUMITOMO TIRES

