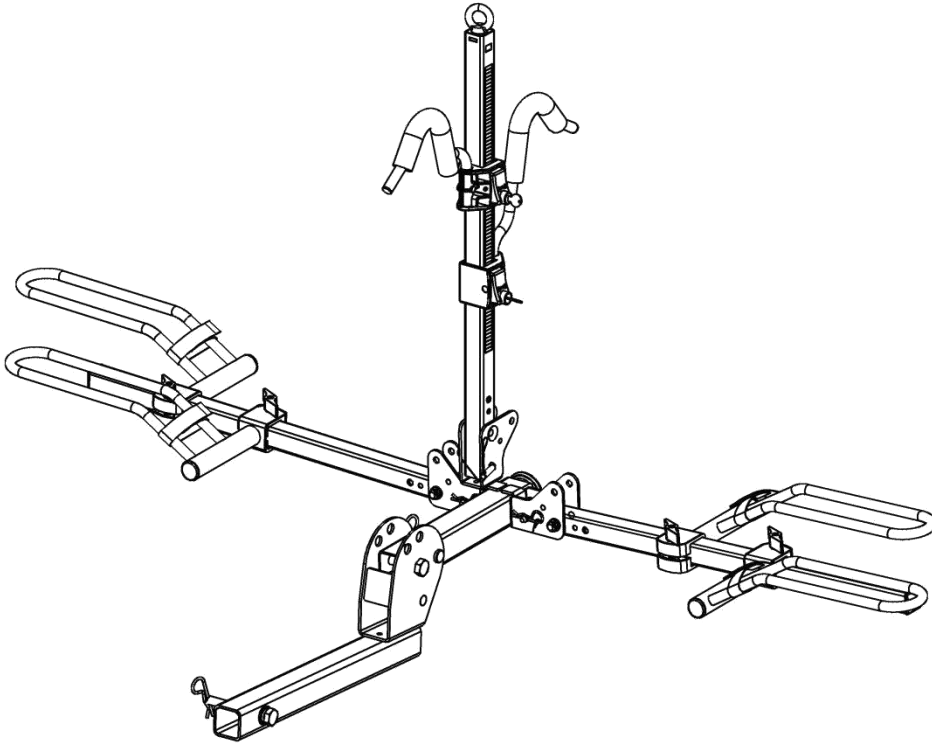




## **PLATFORM BIKE CARRIER**

### **Model BC-202**



**MAXIMUM LOADING CAPACITY – 80 LBS**

#### **Recommended Tools for Assembly:**



Monkey Wrench  
(1pc)  
Size=300mm



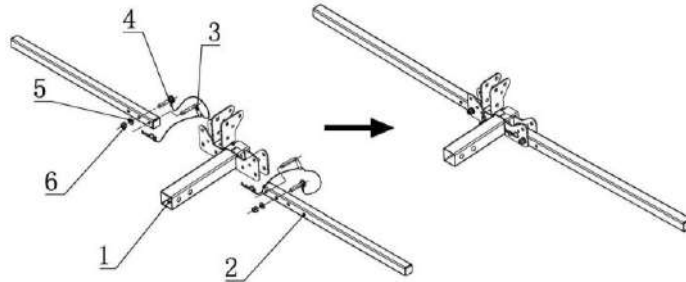
Open Wrench  
(1pc)  
Size=17mm



## Assembly Instructions

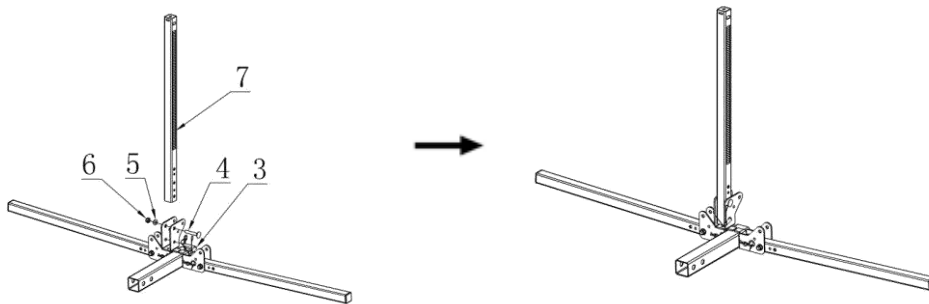
**STEP 1** Assemble the primary frame by connecting the Support Base Assembly (part #1) and (2) Horizontal Tubes (part #2) using (2) L-Pins, (2) M10 Carriage bolts, (2) M10 Flat Washers and (2) M10 Locknuts (parts #3, #4, #5 & #6). See FIG. 1

**FIG. 1**



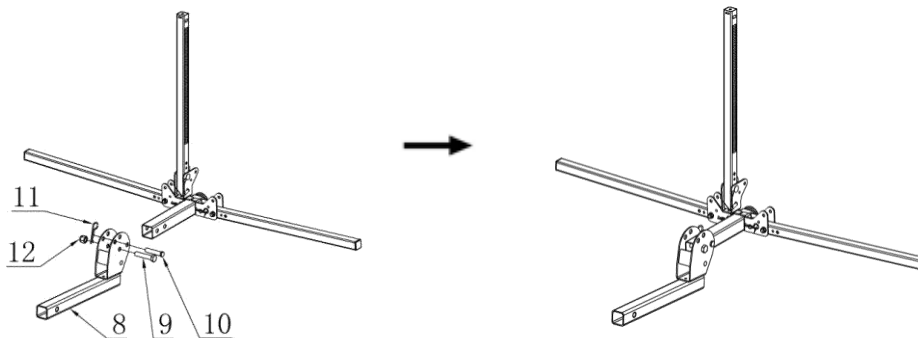
**STEP 2** Place Vertical Tube (part #7) into the U-Bracket of the Support Base Assembly, using M10 Carriage Bolt, M10 Flat Washer and M10 Locknut (parts #4, #5 & #6). With the Vertical Tube in a vertical position, insert the L-Pin (part #3). See FIG. 2

**FIG. 2**



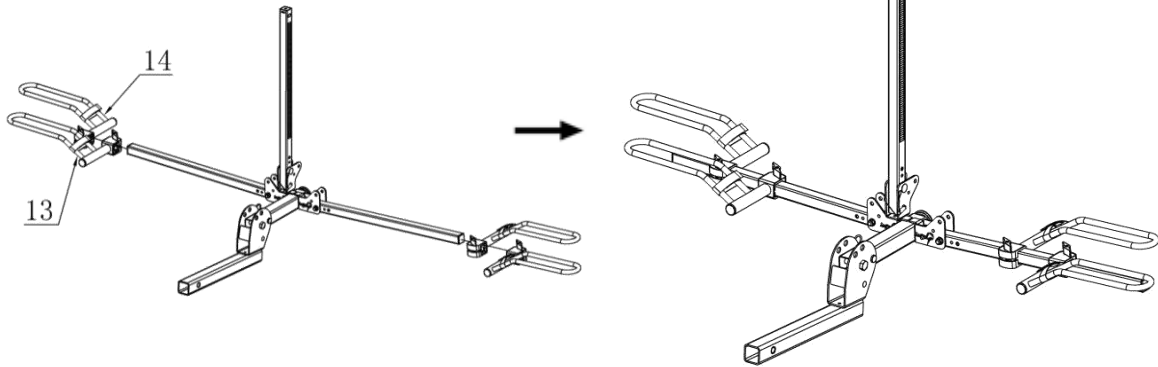
**STEP 3** Attach Folding Shank (part #8) to Support Base Assembly tube, using M16 Bolt, M16 Locknut,  $\frac{5}{8}$ " pin and Clip (parts #9, #10, #11 & #12) for added safety. See FIG. 3

**FIG. 3**



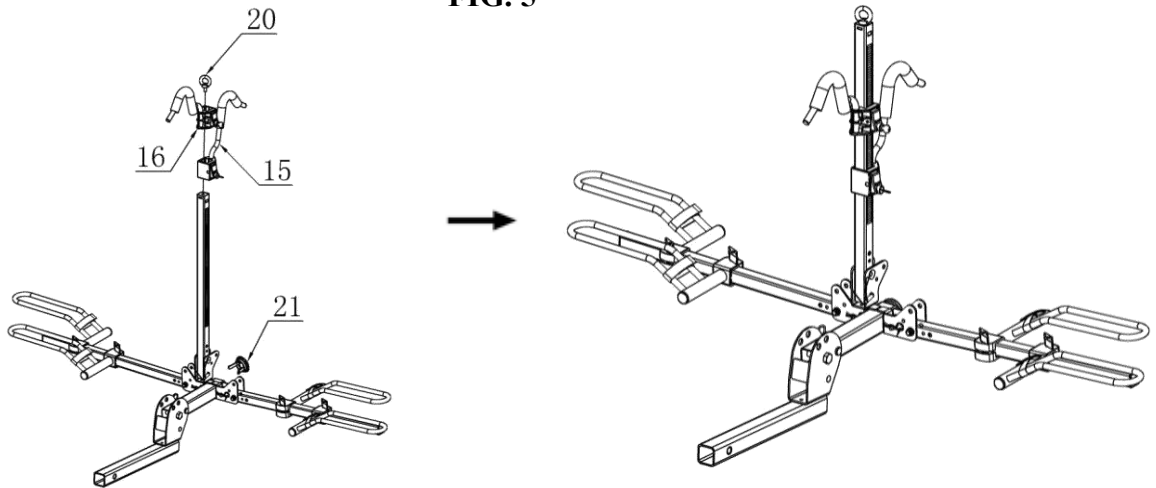
**STEP 4** Slide the Left and Right Cradle Assemblies (parts #13 & #14) onto Horizontal Tubes. Release the knob of the left and right cradle. The knob should be facing up and the loop end of cradle should be facing outward and upward. Insert the cradles in sequence as shown below in Fig 4. After all 4 cradles are on the Horizontal Tubes, tighten. See FIG. 4

**FIG. 4**



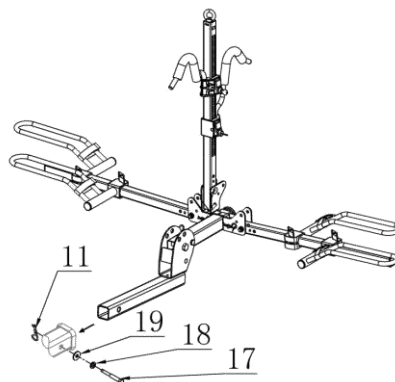
**STEP 5** Install the Long J-Hook Assembly (part #15) and Short J-Hook Assembly (part #16) onto the Vertical Tube, then tighten the Eyebolt (part #20). Press the keyed button to allow the J-Hooks to slide on the Vertical Tube. Secure by locking each keyed button, using the provided Key Set (part # 23). Insert the Reflector (part #21) into the hole of the square tube. See FIG. 5

**FIG. 5**



**STEP 6** Insert Folding Shank into 2" receiver, using Stabilizing Pin, M16 Flat Washer, M16 Spring Washer and Clip (parts #17, #18, #19 & #11) to secure. See FIG. 6

**FIG. 6**

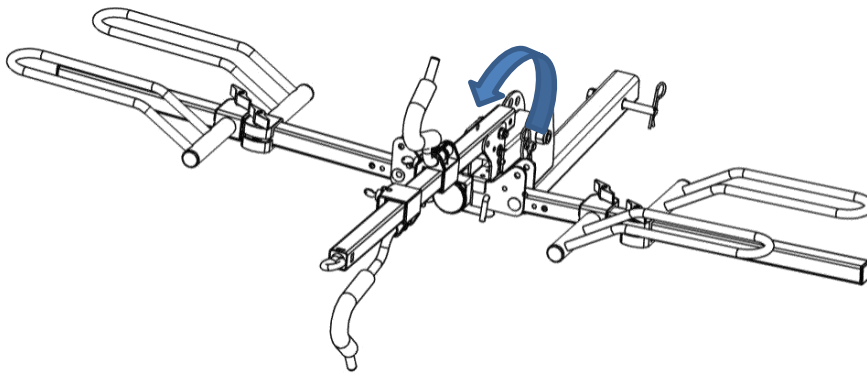


## Mounting Bikes

The wheel cradles and J-Hooks are completely adjustable and slide on the tubes.

1. Load inner bicycle first. Pull  $\frac{5}{8}$ " pin and rotate vertical tube down. See FIG. 7
2. Load bicycle into Wheel Cradles. Adjust cradles to appropriate position. Ensure tire is well supported at both ends of Wheel Cradles. Tighten cradles to prevent movement. See FIG. 8
3. Rotate Vertical Tube to vertical position; lock with  $\frac{5}{8}$ " pin. Lower J-Hook Assemblies down over bicycle frame. See FIG. 9
4. Apply downward pressure to bicycle and J-Hook Assemblies. Tighten J-Hook Assemblies and ensure there is no movement of bicycle.

**FIG. 7**



**FIG. 8**

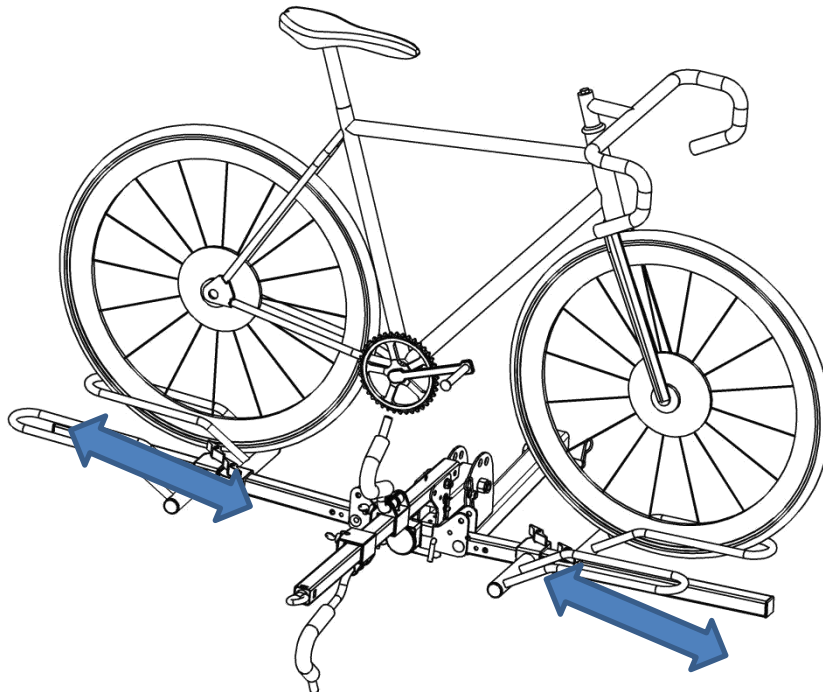
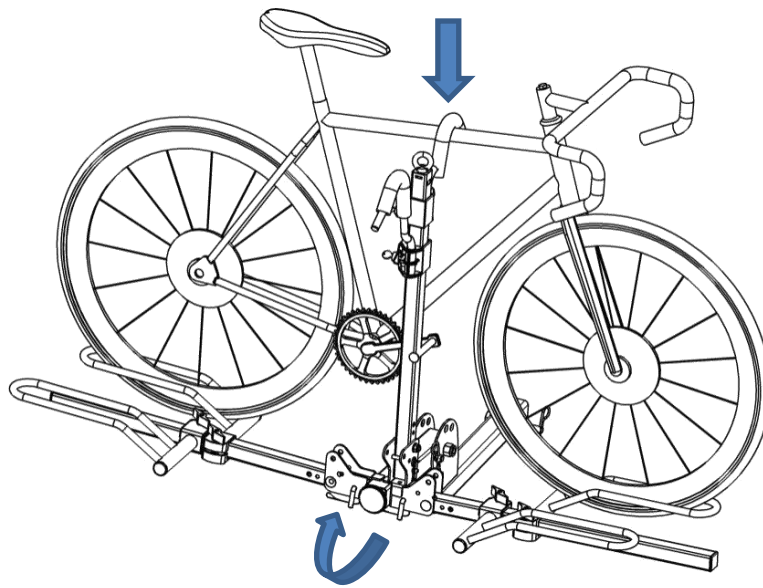


FIG. 9



5. Loop (1) Wheel Cradle Strap (part # 22) over each wheel and secure. See FIG. 10

**WARNING – Failure to use wheel cradle straps may result in bike falling off rack during use.**

6. Load second bicycle as described in Bicycle Mounting steps 2 thru 5. Reverse direction of second bicycle to prevent handle bar interference. See FIG. 11

FIG. 10

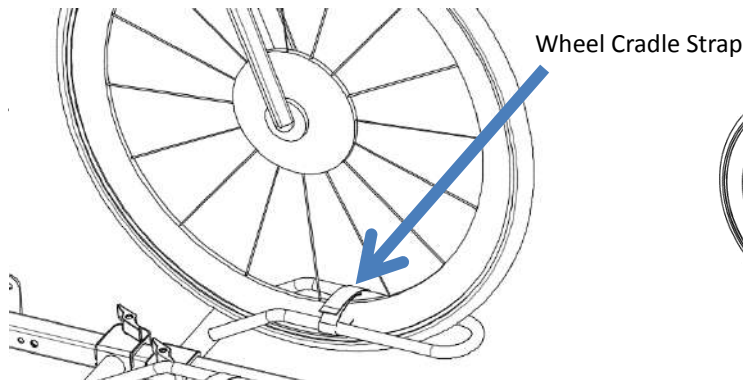
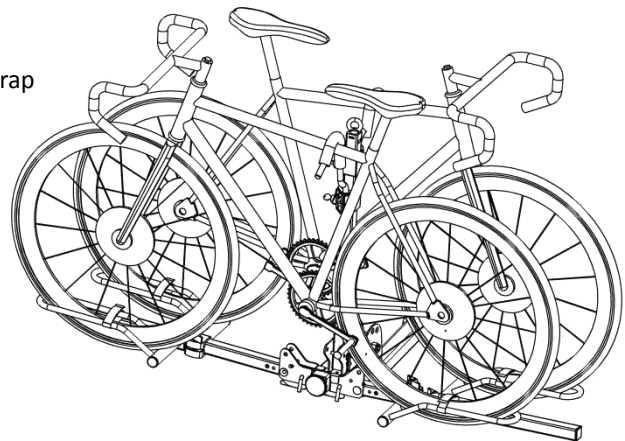


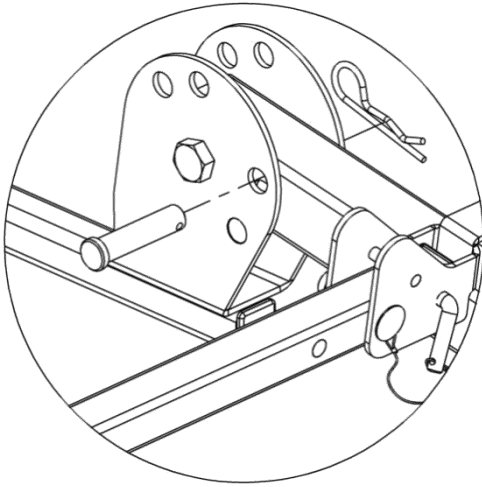
FIG. 11



#### Tilt Down Feature

Do not place bikes on the wheel cradle when operating the tilt down feature. For access to the rear of vehicle, remove  $5/8$ " pin and allow the rack to tilt downward. For safety, be sure to securely hold the bike rack while the pin is out. See FIG. 12

**FIG. 12**



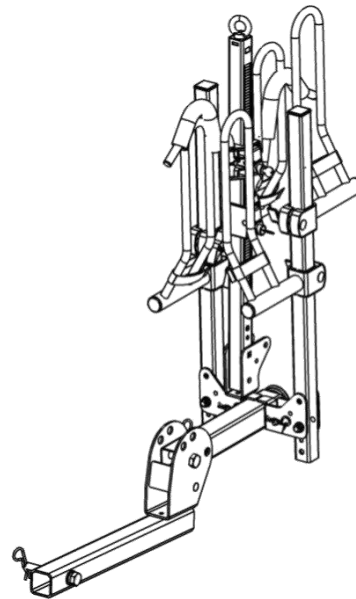
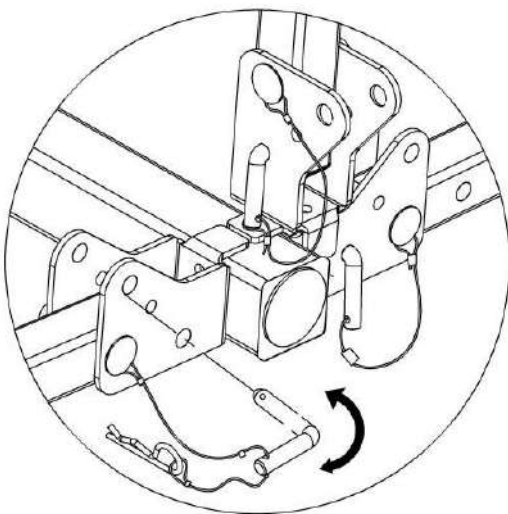
 **WARNING**

**DO NOT** attempt to pull out the main locking pin or back-up locking pin while there are bikes mounted to the carrier.

**Storage Feature**

Spin L-Pin at 90° and then pull out from the center hole. Fold the main Vertical Tube to horizontal position (down on the opposite side of Folding Shank) and re-secure using L-Pin. Or fold the Horizontal Tubes upward. See FIG. 13

**FIG. 13**

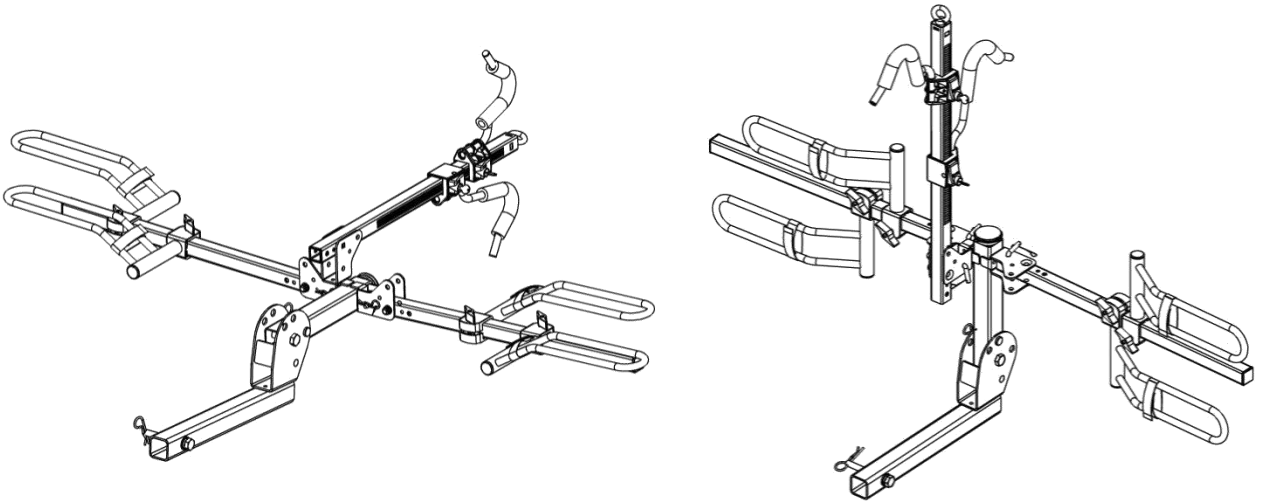


**Folded when not in use Feature**

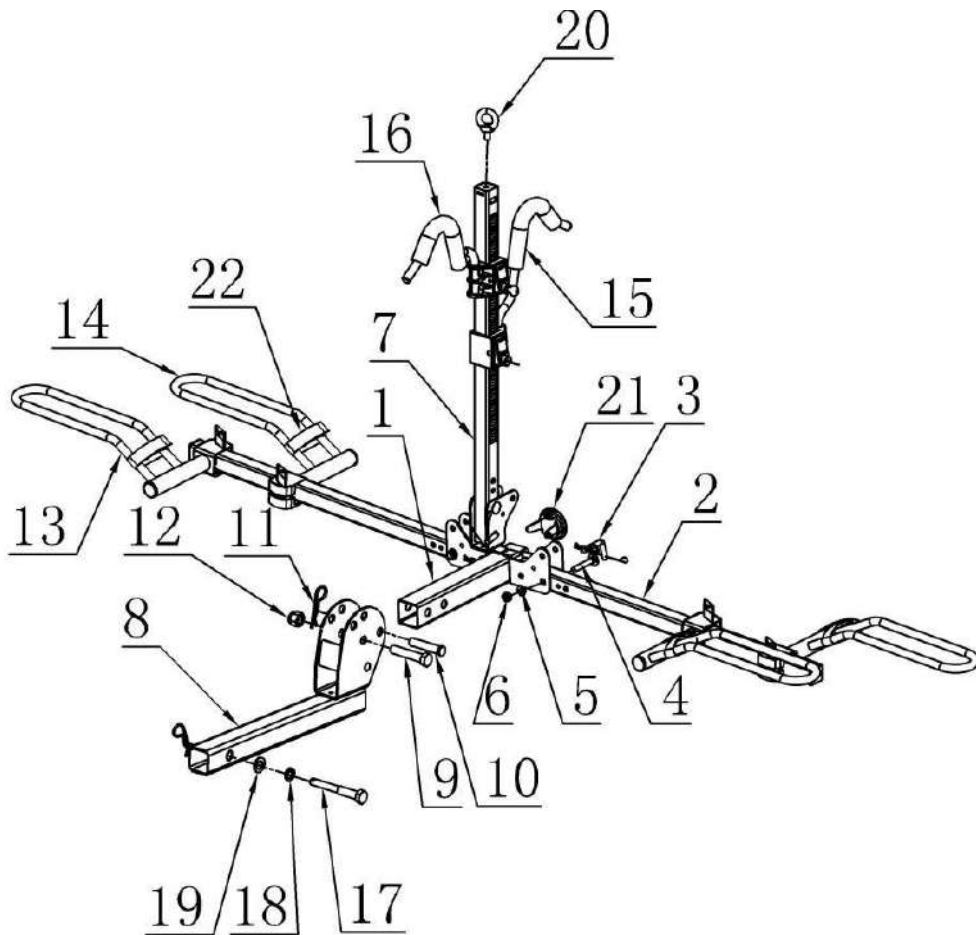
Fold Vertical Tube to the horizontal position, and then fold the Folding Shank assembly to the vertical position. See FIG. 14



**FIG. 14**



**Assembly Diagram**



**Part List**

Part#	Description	Qty	Part#	Description	Qty
1	Support Base Assembly	1	13	Left Cradle Assembly	2
2	Horizontal Tube	2	14	Right Cradle Assembly	2
3	L-Pin	3	15	Long J-Hook Assembly	1
4	M10 Carriage Bolt	3	16	Short J-Hook Assembly	1
5	M10 Flat Washer	3	17	Stabilizing Pin	1
6	M10 Locknut	3	18	M16 Spring Washer	1
7	Vertical Tube	1	19	M16 Flat Washer	1
8	Folding Shank	1	20	Eyebolt	1
9	M16 Bolt	1	21	Reflector	1
10	5/8" Pin	1	22	Wheel Cradle Strap	4
11	Clip	2	23	Key Set	1
12	M16 Locknut	1			

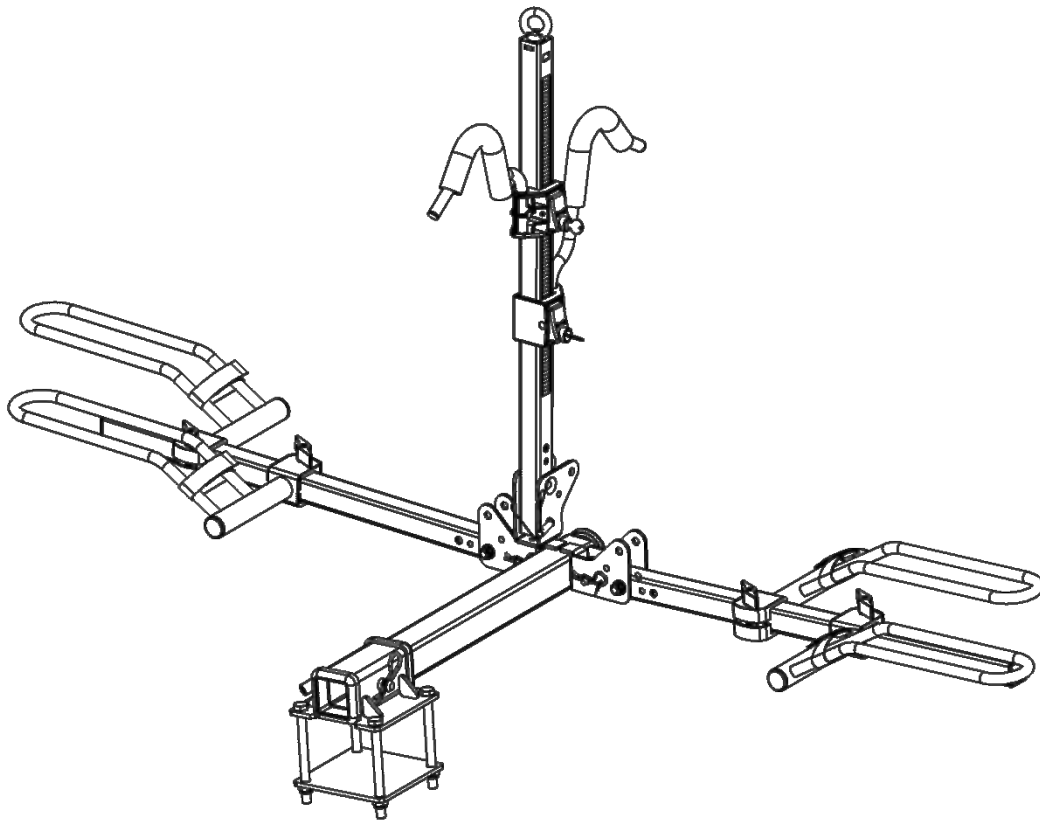




**STROMBERG CARLSON  
PRODUCTS INC.**

## Platform-Style 2-Bike Rack for 2" Hitches or RV Bumpers

**Model BC-202BA**



**MAXIMUM LOADING CAPACITY - 80 LBS**

### Recommended Tools for Assembly:



Open Wrench  
(1pcs)  
Size=17mm

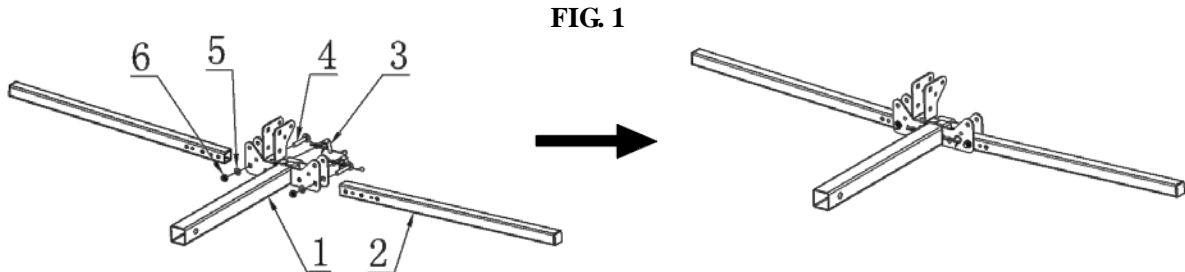


Open Wrench  
(2pcs)  
Size=19mm

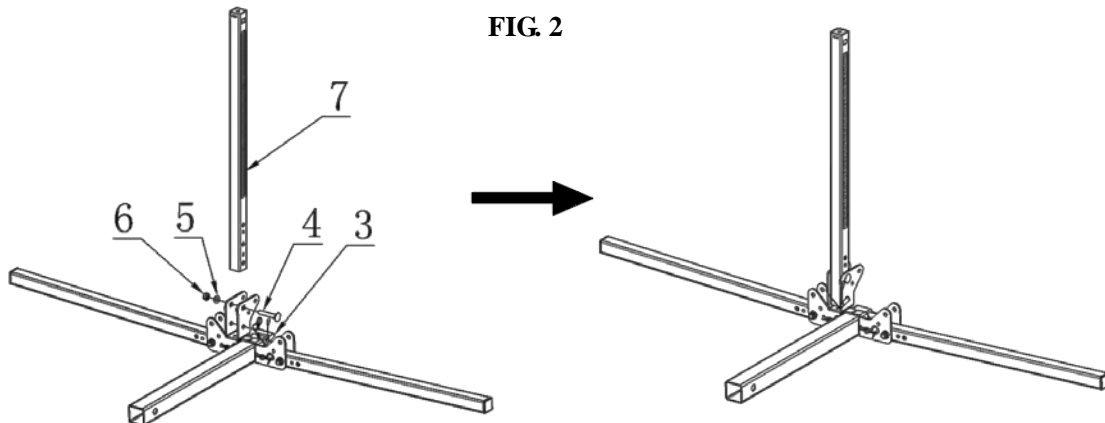
 **STROMBERG**

## **2" Hitch Operating Instructions**

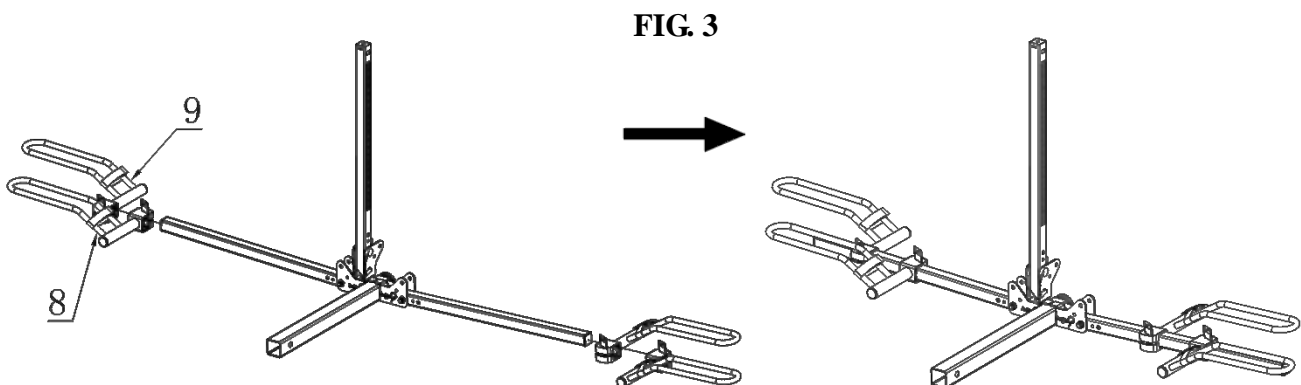
**STEP 1** Assemble the primary frame by connecting the Support Base Assembly (part #1) and Horizontal Tubes (part #2), using (2) L-Pins, (2) M10 Carriage Bolts, (2) M10 Flat Washers and (2) M10 Locknuts (parts #3, #4, #5 & #6). See FIG. 1



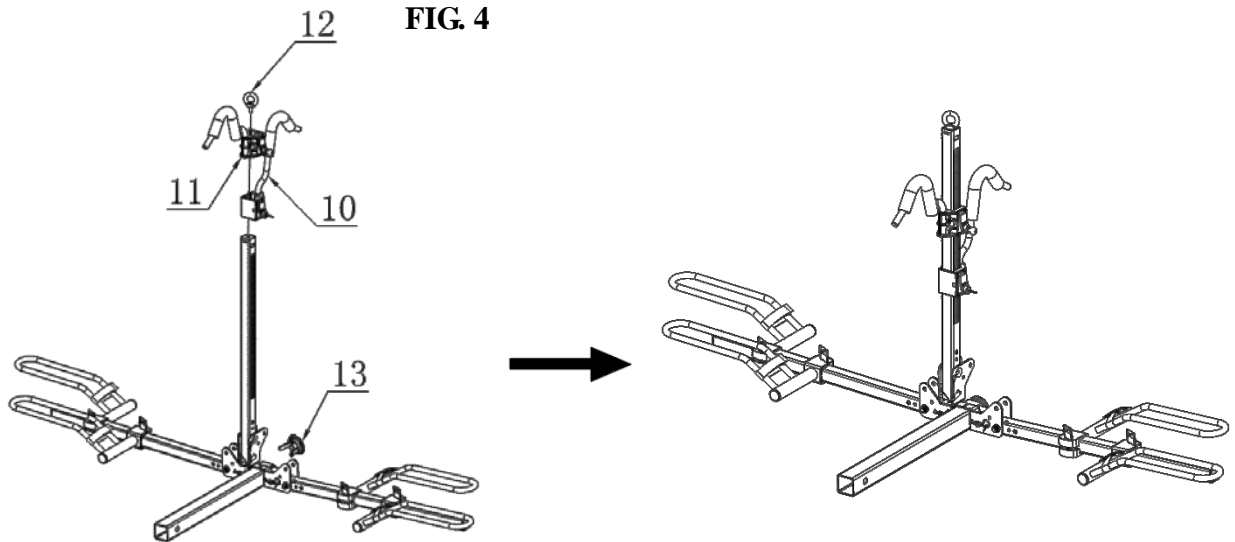
**STEP 2** Secure Vertical Tube (part #7) in the U-bracket of the Support Base Assembly using (1) M10 Carriage Bolt, (1) M10 Flat Washer and (1) M10 Locknut (parts #4, #5 & #6). With the Vertical Tube in a vertical position, insert (1) L-Pin (part #3). See FIG. 2



**STEP 3** Slide the Right and Left Cradle Assemblies (parts #8 & #9) onto the Horizontal Tubes. Release the knob of the left and right cradle. The knob should be facing up and the loop end of cradle should be facing outward and upward. Insert the cradles in sequence as shown below in FIG. 3. Once all 4 cradles are on the Horizontal Tubes, tighten. See FIG. 3



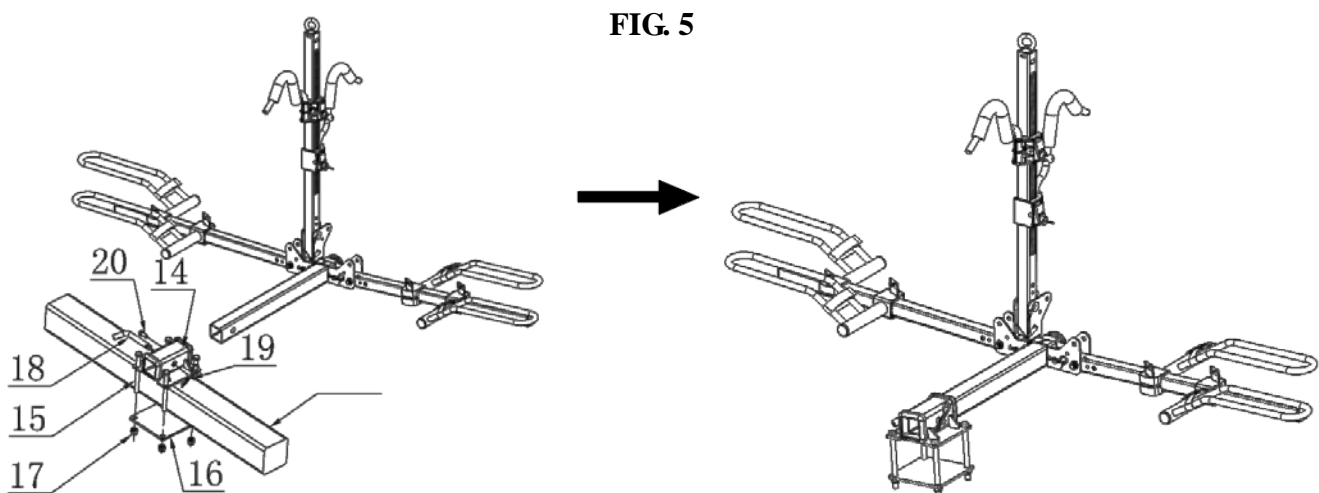
**STEP 4** Install the Long J-Hook Assembly (part #10) and Short J-Hook Assembly (part #11) onto the Vertical Tube, then tighten the M10 Eyebolt (part #12). Press the keyed button to allow the J-Hooks to slide on the Vertical Tube. Secure by locking each keyed button, using the provided Key Set (part #23). Put the Reflector (part #14) in the hole of the square tube. See FIG. 4



### **RV Bumper Operating Instructions**

If you are mounting the rack onto a 4" - 4.5" RV bumper rather than into your 2" receiver, you will need to use the Bumper Adapter. It can only be mounted on a continuous steel welded RV bumper. If you are not sure if this is the type of bumper you have please contact your RV dealer.

Position the Bumper Adapter (part #15) on to the top of the 4" - 4.5" square bumper. Position the Plate (part #17) on the underside and attach using (4) M12x140 Hexagon Bolts and (4) M12 Locknuts (parts #16 & #18). Tighten the bolts securely. Insert Support Base Assembly into Bumper Adapter, use (1) Hitch Pin, (1) Clip and (1) M10x20 Hexagon Bolt (parts #19, #20 & #21) to attach. See FIG 5.

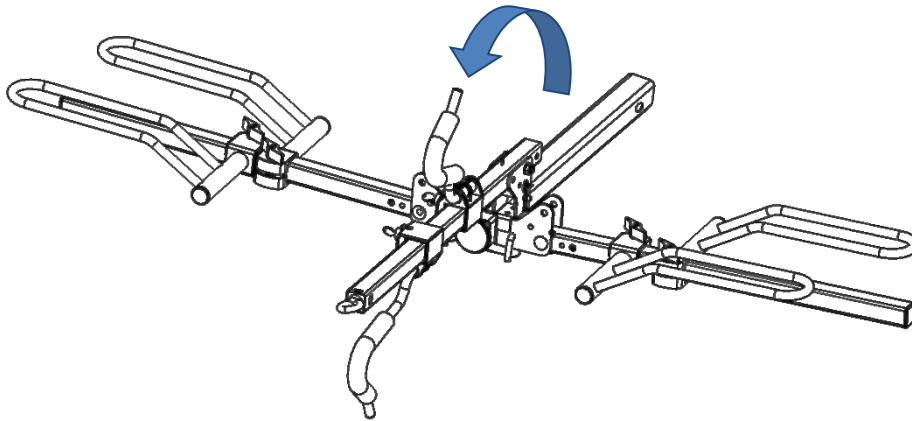


## Mounting Bikes

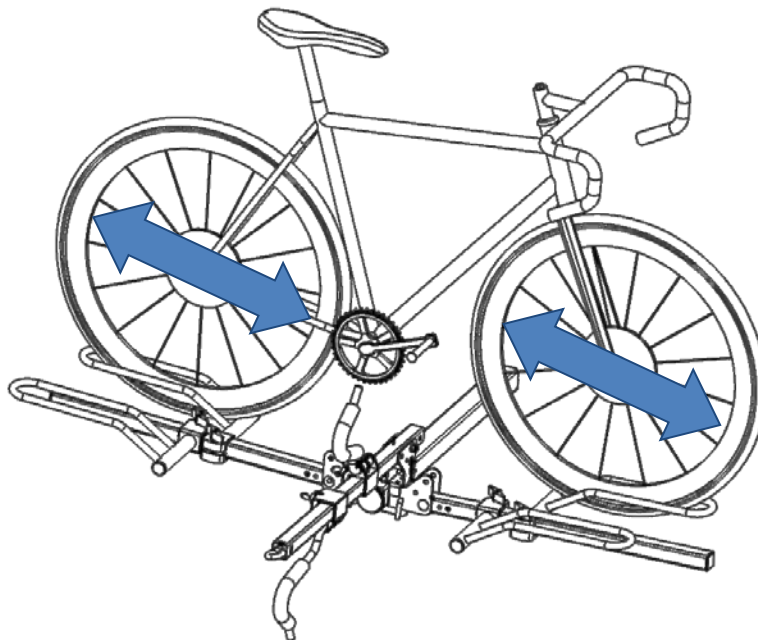
The wheel cradles and J-Hooks are completely adjustable and slide on the tubes.

1. Load inner bicycle first. Pull  $\frac{5}{8}$ " pin and rotate vertical tube down. See FIG. 6
2. Load bicycle into Wheel Cradles. Adjust cradles to appropriate position. Ensure tire is well supported at both ends of Wheel Cradles. Tighten cradles to prevent movement. See FIG. 7
3. Rotate vertical tube to vertical position and lock with  $\frac{5}{8}$ " pin. Lower J- Hook Assembly down over bicycle frame. See FIG. 8
4. Apply downward pressure to bicycle and J-Hook Assembly. Tighten J-Hook Assembly and ensure there is no movement of bicycle.

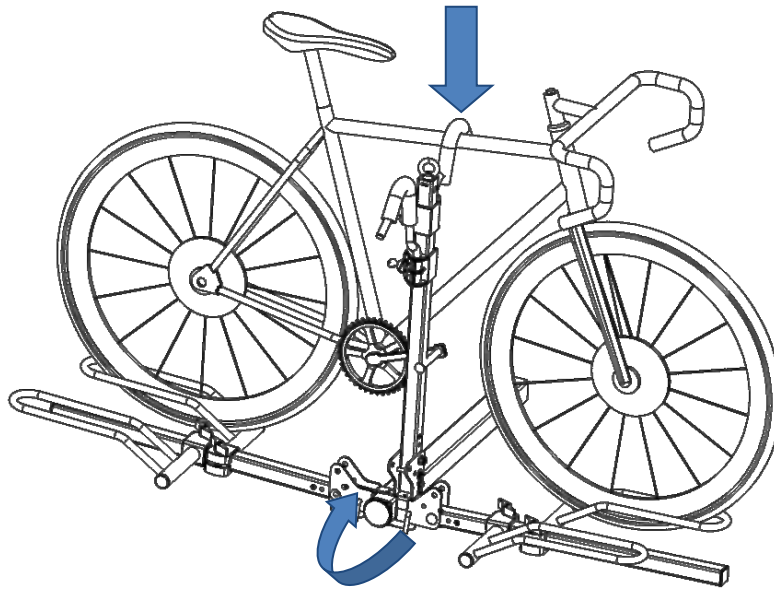
**FIG. 6**



**FIG. 7**



**FIG. 8**

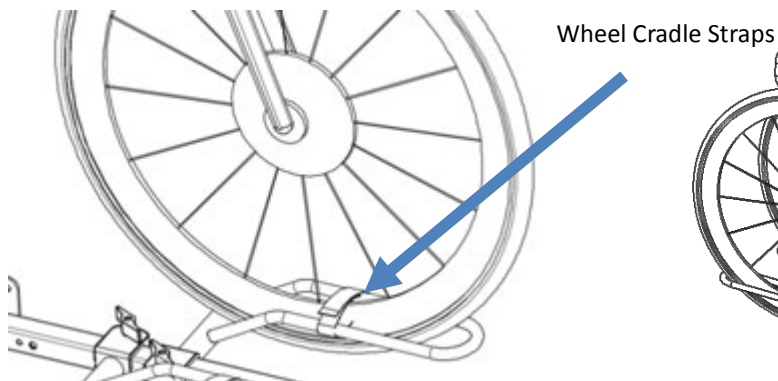


5. Loop (1) Wheel Cradle Strap (part #22) over each wheel and secure. See FIG. 9

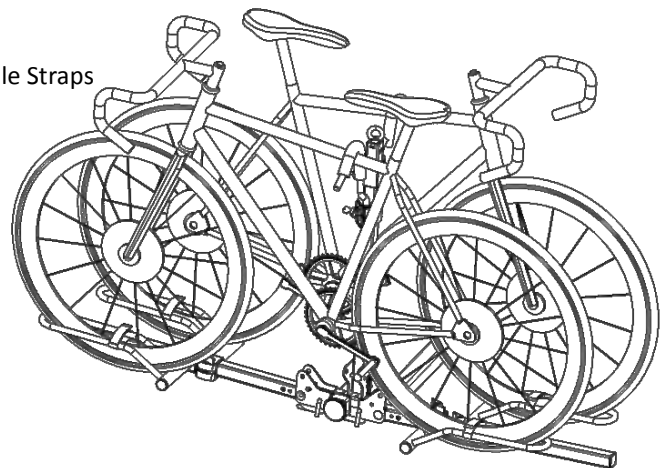
**WARNING** – Failure to use wheel cradle straps may result in bike falling off rack during use.

6. Load second bicycle as described in Bicycle Mounting steps 2 thru 5. Reverse direction of second bicycle to prevent handle bar interference. See FIG. 10

**FIG. 9**



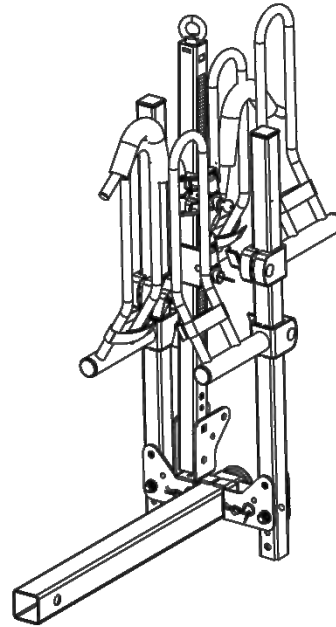
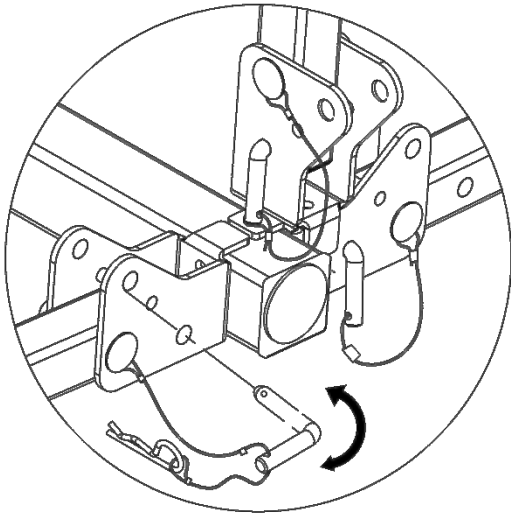
**FIG. 10**



**Storage Feature**

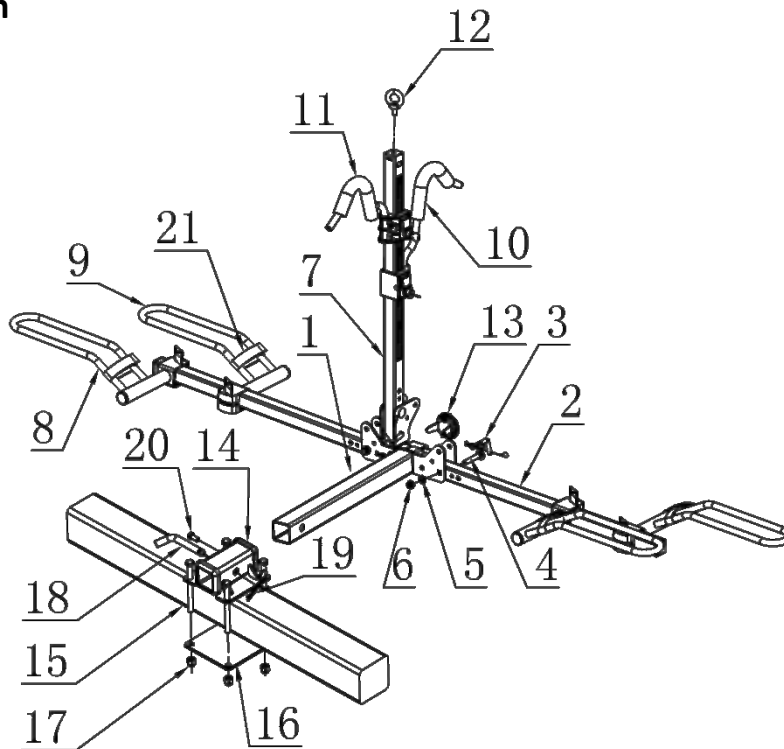
Spin L-Pin 90° and then pull out from the center hole. Fold the main vertical tube to its horizontal position (down on the opposite side of folding shank) and re-secure using L-Pin. Alternately, fold the horizontal tubes upward. See FIG. 11

**FIG. 11**





## Assembly Diagram

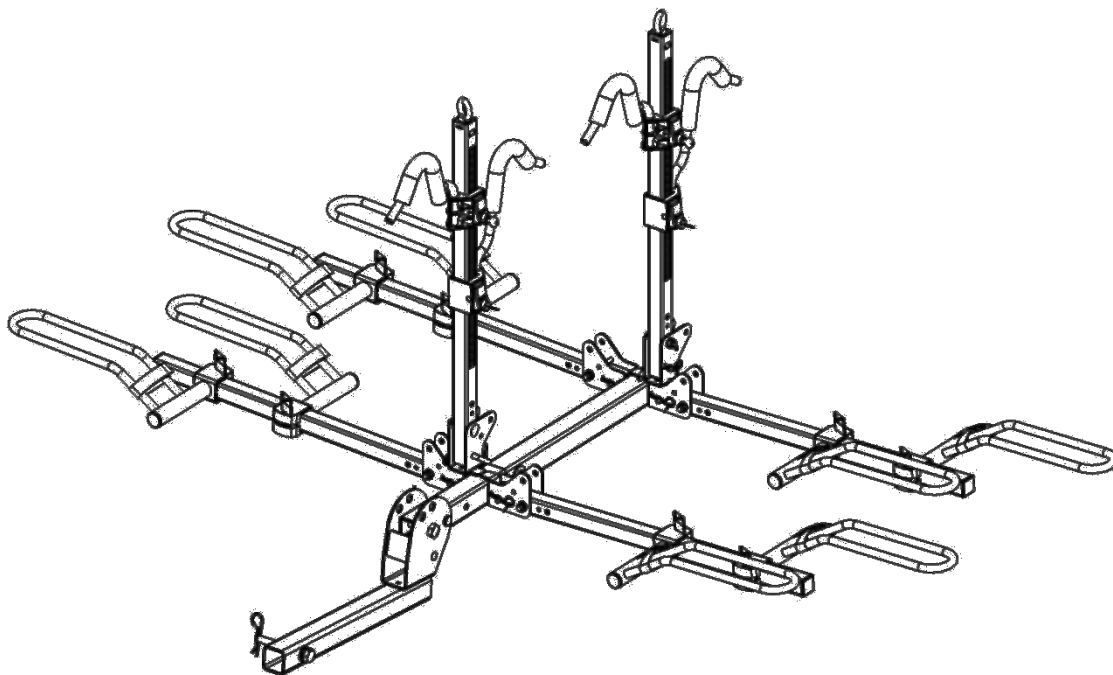


## Carton Contents

Part#	Description	Qty	Part#	Description	Qty
1	Support Base Assembly	1	12	M10 Eyebolt	1
2	Horizontal Tube	2	13	Reflector	1
3	L-Pin	3	14	Bumper Adapter	1
4	M10 Carriage Bolt	3	15	M12x140 Hexagon Bolt	4
5	M10 Flat Washer	3	16	Plate	1
6	M10 Locknut	3	17	M12 Locknut	4
7	Vertical Tube	1	18	Hitch Pin	1
8	Left Cradle Assembly	2	19	Clip	1
9	Right Cradle Assembly	2	20	M10-20 Hexagon Bolt	1
10	Long J-Hook Assembly	1	21	Wheel Cradle Strap	4
11	Short J-Hook Assembly	1	22	Key Set	1

## PLATFORM BIKE CARRIER

Model BC-204



**MAXIMUM LOADING CAPACITY - 160 LBS**

### Recommended Tools for Assembly:



Monkey Wrench  
(1pc)  
Size=300mm



Open Wrench  
(1pc)  
Size=17mm



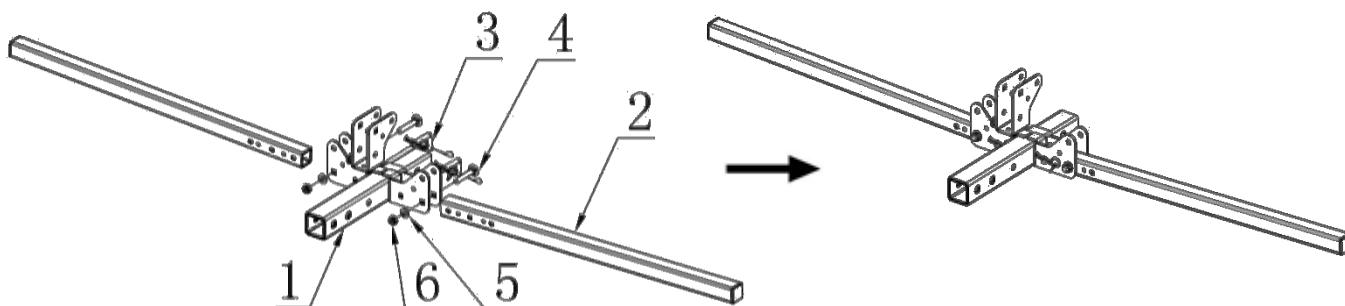
Open Wrench  
(1pc)  
Size=24mm



## Assembly Instructions

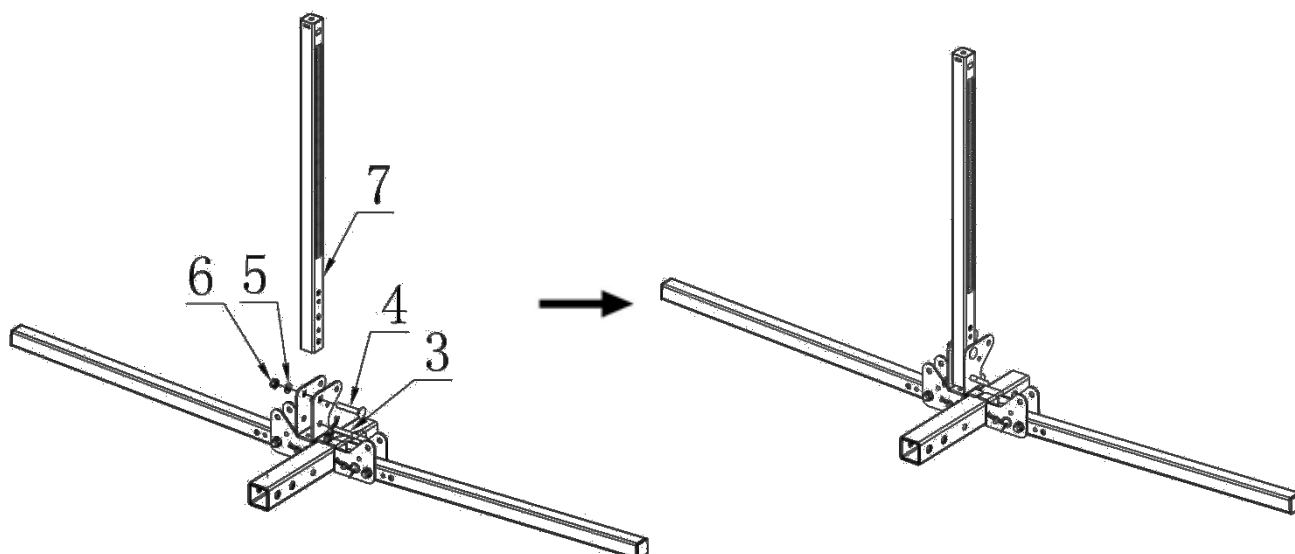
**STEP 1** Assemble the primary frame by connecting the Short Support Base Assembly (part #1) and (2) Horizontal Arms (part #2) using (2) L-Pins, (2) M10 Carriage Bolts, (2) M10 Flat Washers and (2) M10 Locknuts (parts #3, #4, #5 & #6). See FIG. 1

**FIG. 1**



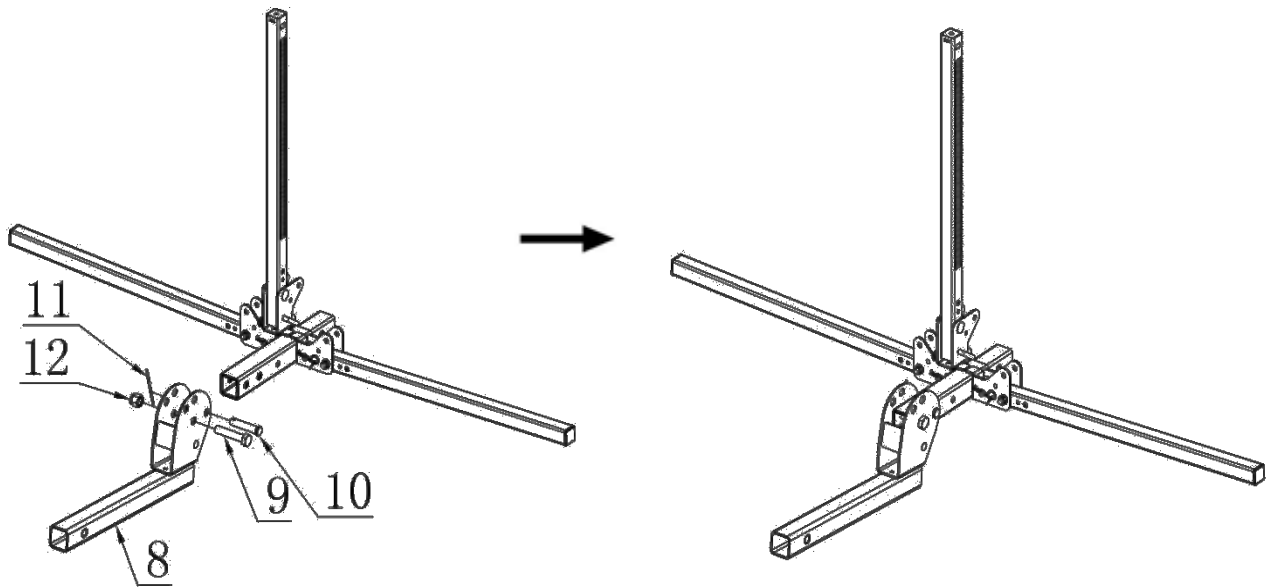
**STEP 2** Place Vertical Arm (part #7) into the U-Bracket of the Short Support Base Assembly using (1) M10 Carriage Bolt, (1) M10 Flat Washer and (1) M10 Locknut (parts #4, #5 & #6). With the Vertical Arm in a vertical position, insert (1) L-Pin (part #3). See FIG. 2

**FIG. 2**



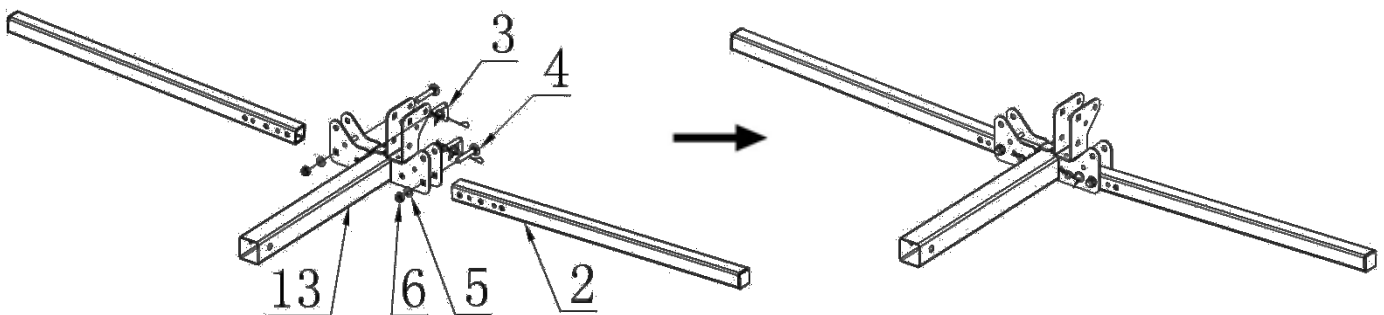
**STEP 3** Attach Folding Shank (part #8) to Short Support Base Assembly tube, using (1) M16 Bolt and (1) M16 Locknut (parts #9 & #12) and using (1)  $\frac{5}{8}$ " Pin and (1) Clip (parts #10 & #11) for extra safety. See FIG.3

**FIG. 3**



**STEP 4** Assemble the extension frame. Repeat step 1, connecting Long Support Base Assembly (part #13) and (2) Horizontal Arms (part #2) by using (2) L-Pins, (2) M10 Carriage Bolts, (2) M10 Flat Washers and (2) M10 Locknuts (parts #3, #4, #5 & #6). See FIG. 4

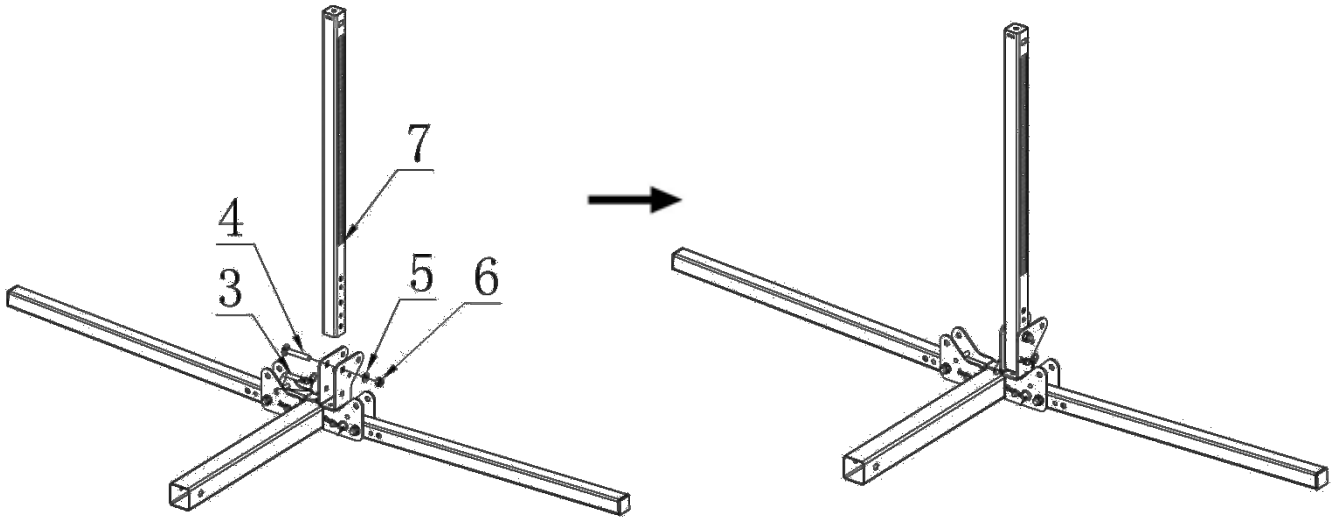
**FIG. 4**



**STEP 5** Repeat step 2, placing Vertical Arm (part #7) on the U-Bracket of the Long Support Base, using (1) L-Pin, (1) M10 Carriage Bolt, (1) M10 Flat Washer and (1) M10 Locknut (parts #3, #4, #5 & #6). See FIG. 5

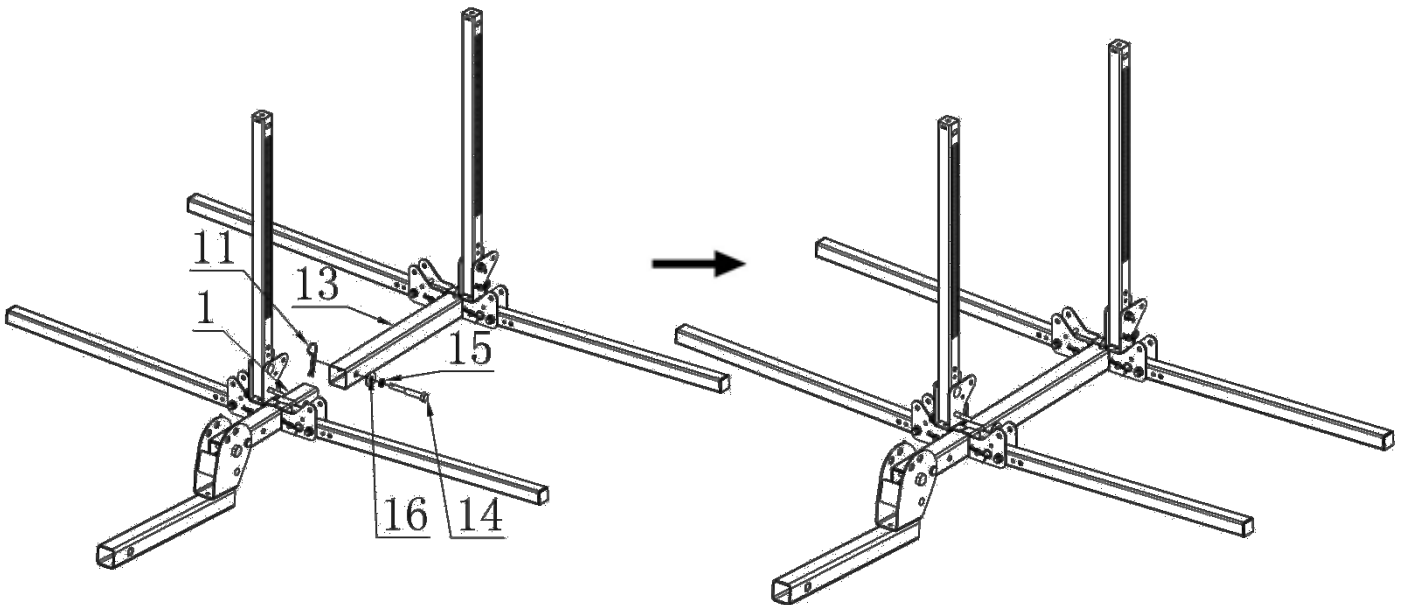


**FIG. 5**



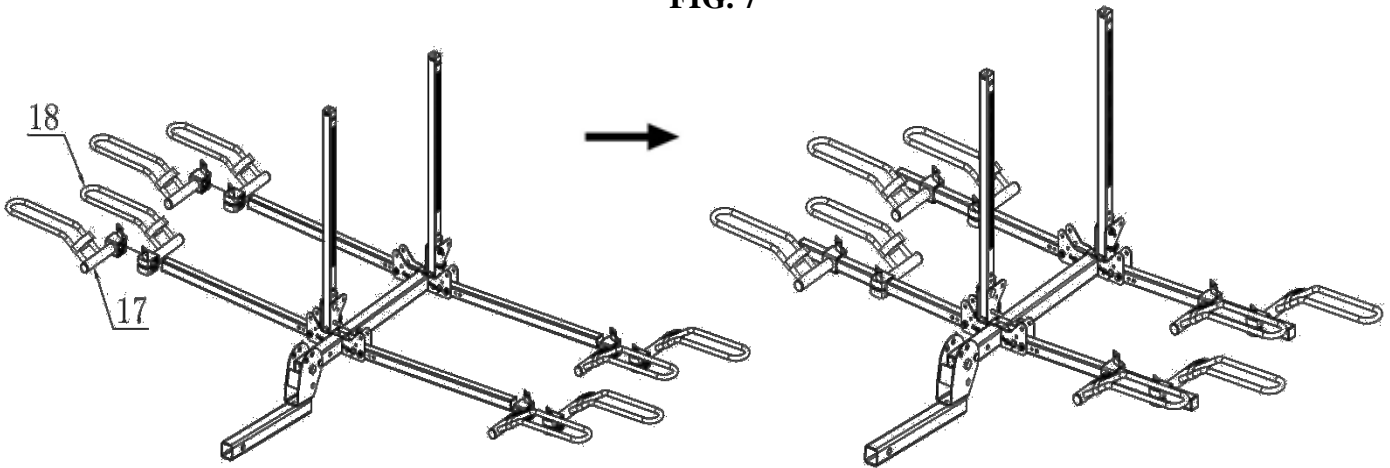
**STEP 6** Insert the Short Support Base Assembly (part #1) into the Long Support Base Assembly (part #13), controlling the height by inserting (1) Short Stabilizing Pin, (1) 1/2" Flat Washer and (1) 1/2" Spring Washer (parts # 14, #15 & #16). Insert (1) Clip (part #11). See FIG. 6

**FIG. 6**



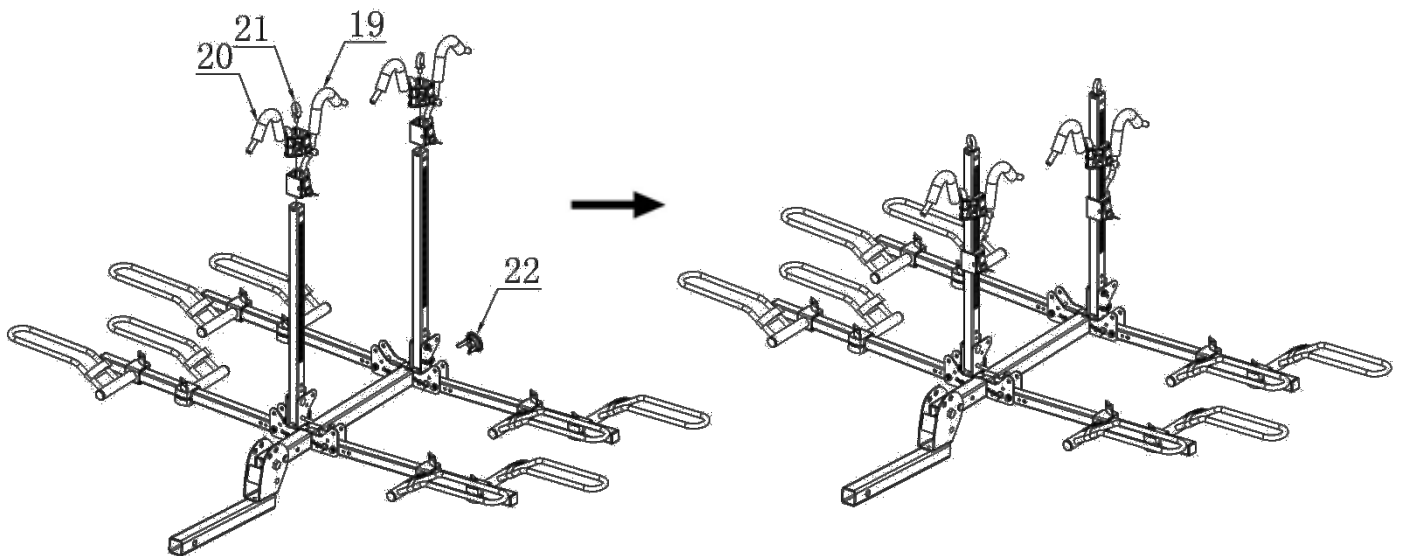
**STEP 7** Slide the Left and Right Cradle Assemblies (parts #17 & #18) onto the Horizontal Arms. Release the knob of the left and right cradle. The knob should be facing up and the loop end of cradle should be facing outward and upward. Insert the cradles in sequence as shown below in Fig 7. After all 4 cradles are on the Horizontal Arms, tighten. See FIG. 7

**FIG. 7**



**STEP 8** Install (2) Long J-Hook Assemblies (part #19) and (2) Short J-Hook Assemblies (part #20) onto the Vertical Arm, then tighten the (2) Eyebolts (part #21). Press the keyed button to allow the J-Hooks to slide on the Vertical Arm. Secure by locking each keyed button with the provided Key Set (Part #27). Put (1) Reflector (part #22) in the hole of the square tube. See FIG. 8

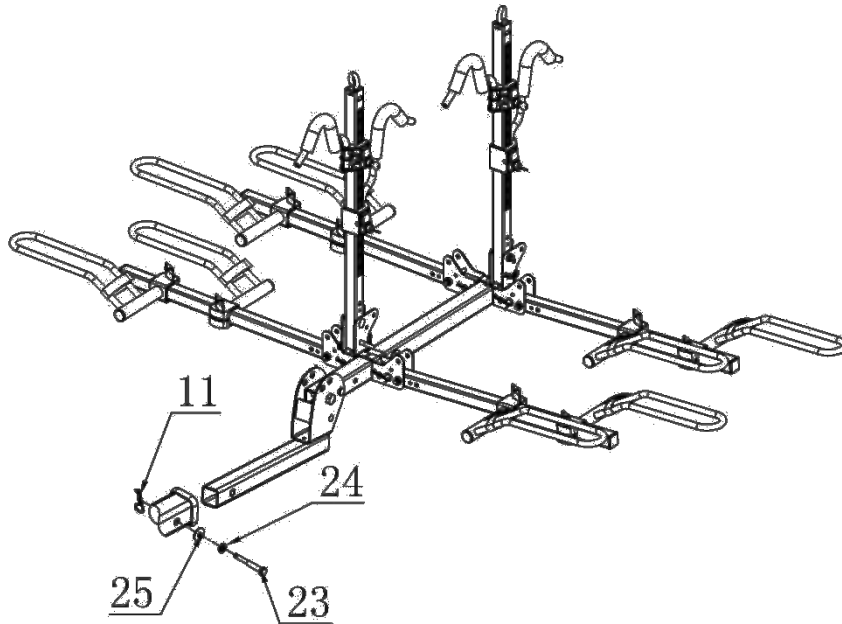
**FIG. 8**



**STEP 9** Insert the Folding Shank into the 2" receiver hitch, using (1) Long Stabilizing Pin, (1) M16 Flat Washer, (1) M16 Spring Washer and (1) Clip (parts #23, #24, #25 & #11) to secure. See FIG. 9



FIG. 9



## Mounting Bikes

The wheel cradles and J-Hook are completely adjustable and slide on the tubes.

1. Load inner bicycle first. Pull  $\frac{5}{8}$ " pin and rotate vertical tube down. See Fig 10
2. Load bicycle into Wheel Cradles. Adjust cradles to appropriate position. Ensure tire is well supported at both ends of Wheel Cradles. Tighten cradles to prevent movement. See Fig 11
3. Rotate vertical tube to vertical position and lock with  $\frac{5}{8}$ " pin. Lower J-Hook assembly down over bicycle frame. See Fig 12
4. Apply downward pressure to bicycle and J-Hook assembly. Tighten J-Hook assembly and ensure there is no movement of bicycle.

FIG 10

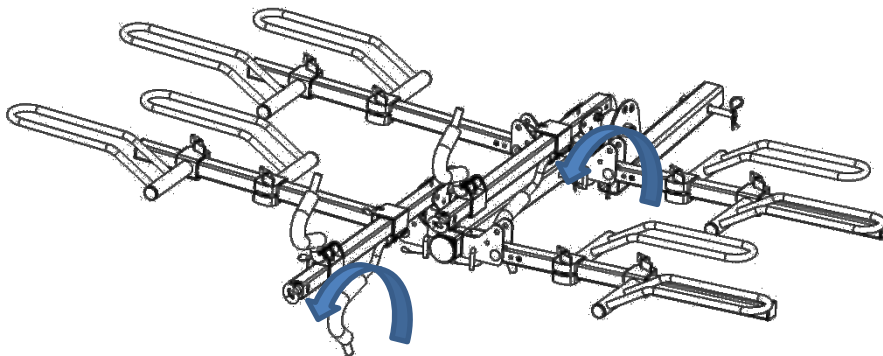


FIG.11

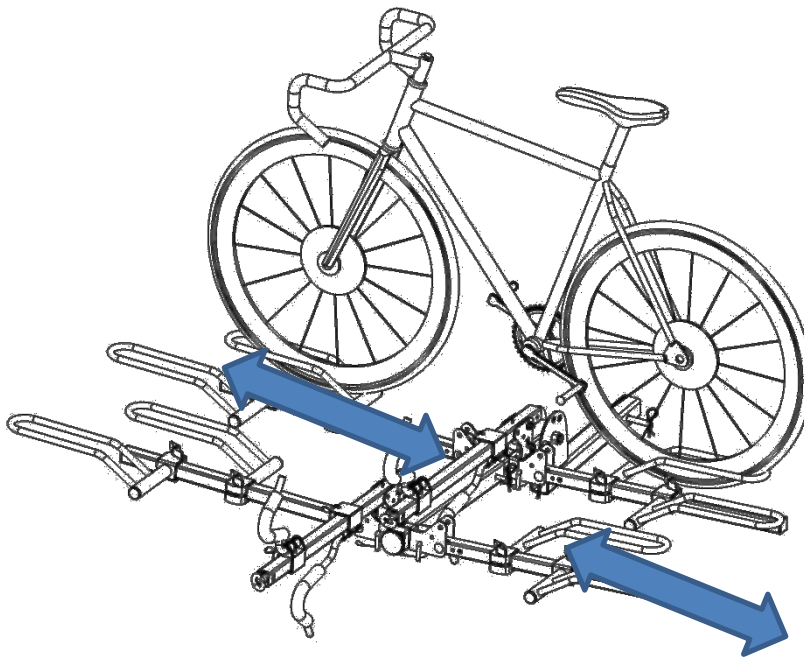
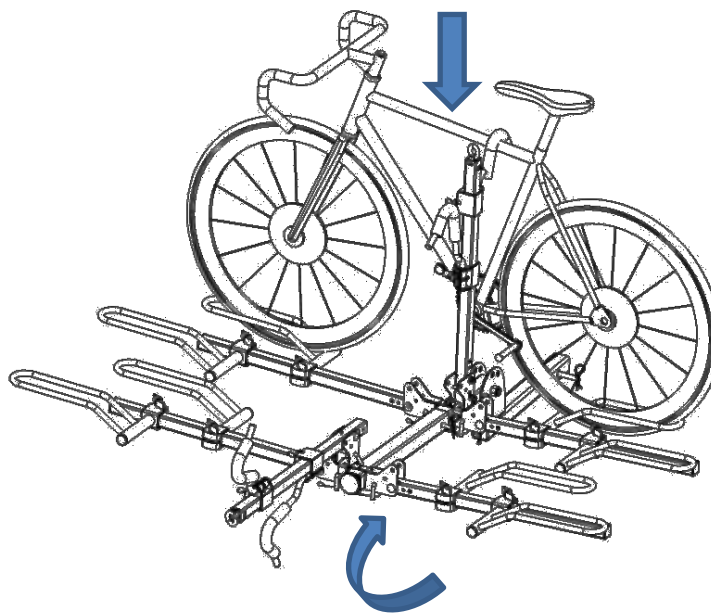


FIG 12



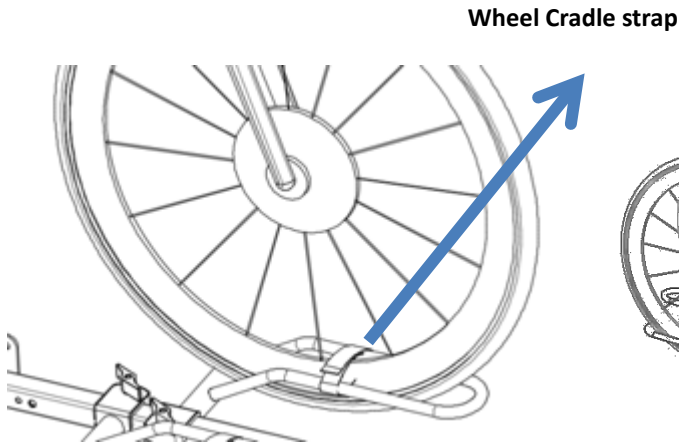
5. Loop (1) Wheel Cradle Strap (part #25) over each wheel and secure. See FIG. 13

**WARNING – Failure to use wheel cradle straps may result in bike falling off rack during use.**

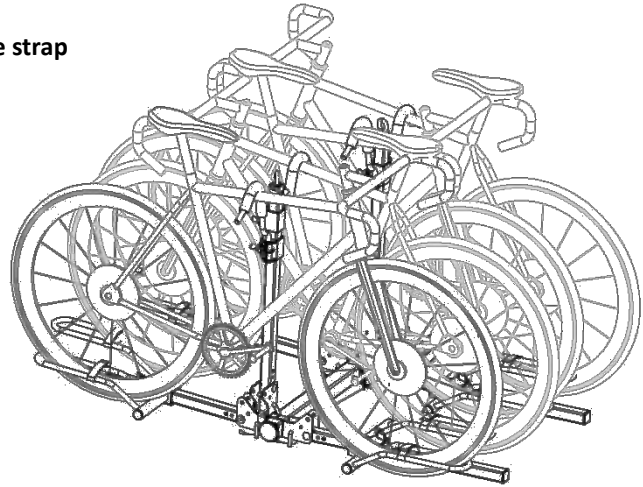
6. Load second/third/forth bicycle as described in Bicycle Mounting steps 2 thru 5. Reverse direction of second/third/forth bicycle to prevent handle bar interference. See FIG 14



**FIG.13**



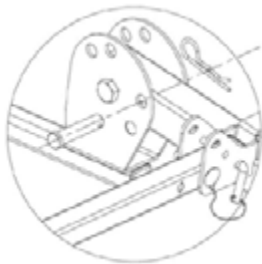
**FIG.14**



**Tilt Down Feature**

Do not place bikes on the wheel cradle when operating the tilt down feature. For access to the rear of vehicle, remove  $\frac{5}{8}$ " Pin and allow the rack to tilt downward. For safety, be sure to securely hold the bike rack while the pin is out. See FIG. 15

**FIG. 15**



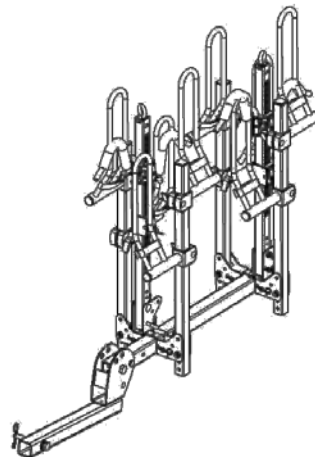
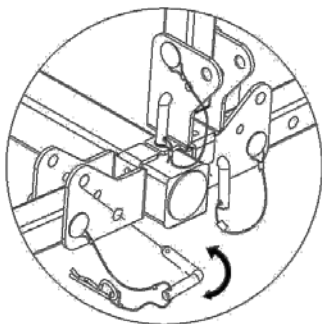
**WARNING**

**DO NOT** attempt to pull out the main locking pin or back-up locking pin while there are bikes mounted to the carrier.

**Storage Feature**

Spin L Pin at 90° and then pull out from the center hole. Fold the main vertical tube to horizontal position (down on the opposite side of folding shank) and re-secure using L-Pin. Or fold the horizontal tubes upward. See FIG. 16

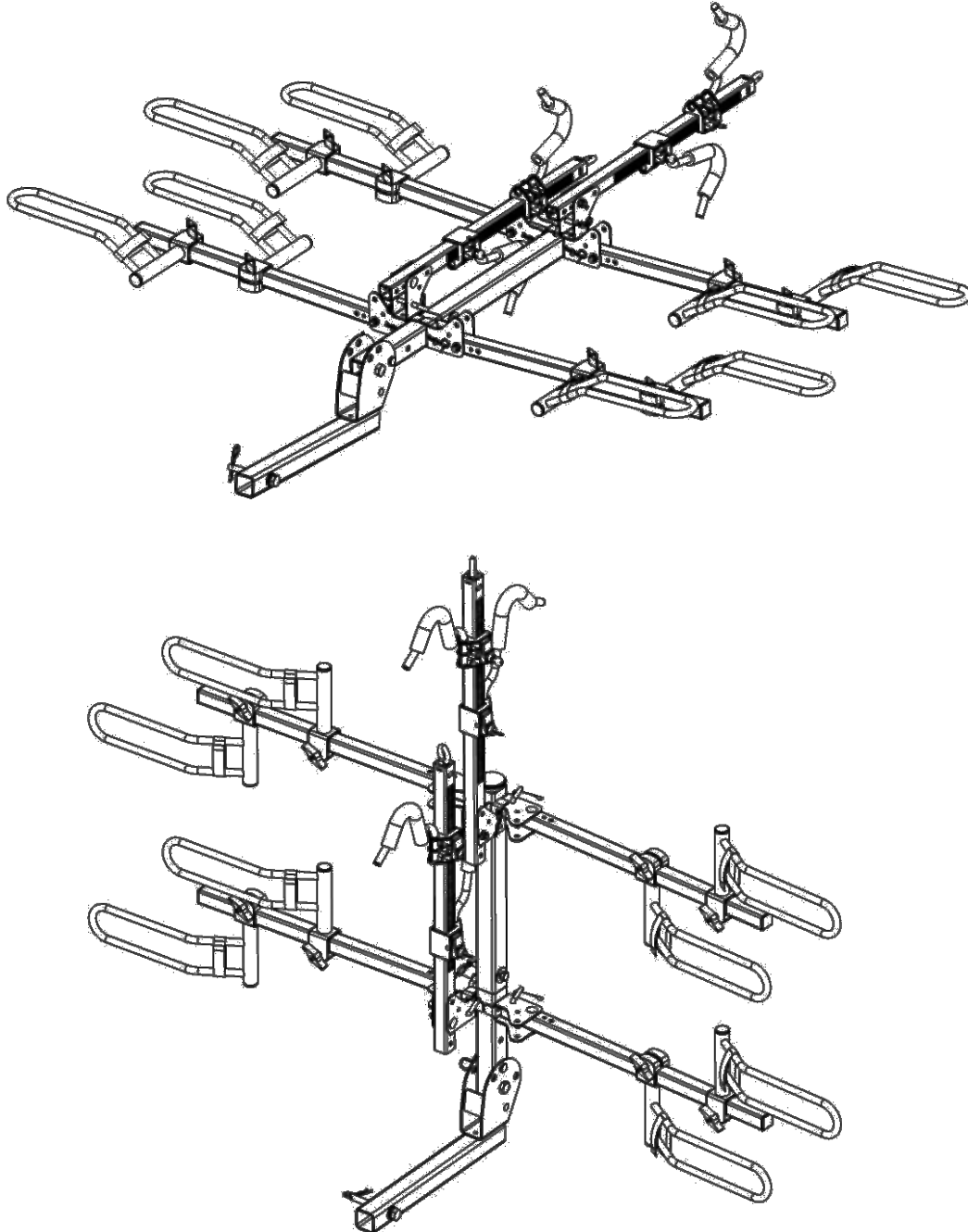
**FIG. 16**



**Folded when not in use Feature**

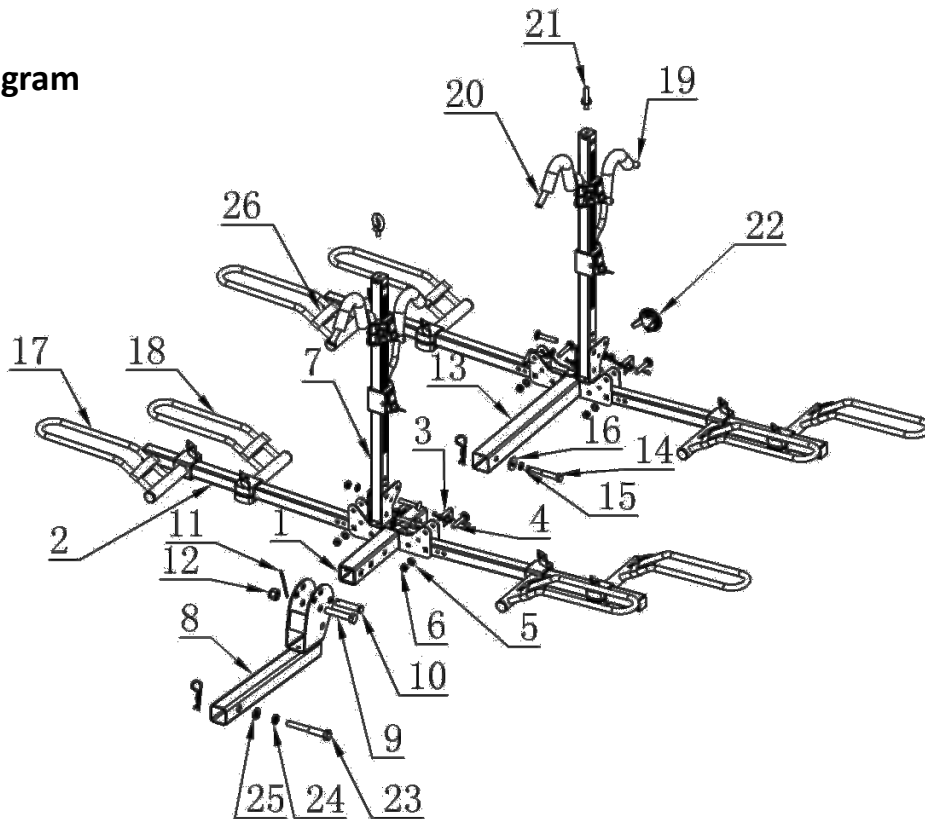
Fold Vertical Arm to the horizontal position, and then fold the Folding Shank Assembly to the vertical position. See FIG.17

**FIG. 17**





## Assembly Diagram



## Part List

Part#	Description	Qty	Part#	Description	Qty
1	Short Support Base Assembly	1	15	1/2" Spring Washer	1
2	Horizontal Arm	4	16	1/2" Flat Washer	1
3	L-Pin	6	17	Left Cradle Assembly	4
4	M10 Carriage Bolt	6	18	Right Cradle Assembly	4
5	M10 Flat Washer	6	19	Long J-Hook Assembly	2
6	M10 Locknut	6	20	Short J-Hook Assembly	2
7	Vertical Arm	2	21	Eyebolt	2
8	Folding Shank	1	22	Reflector	1
9	M16 Bolt	1	23	Long Stabilizing Pin	1
10	5/8" Pin	1	24	M16 Spring Washer	1
11	Clip	3	25	M16 Flat Washer	1
12	M16 Locknut	1	26	Wheel Cradle Strap	8
13	Long Support Base Assembly	1	27	Key Set	1
14	Short Stabilizing Pin	1			