
2500-LB. ELECTRIC A-FRAME JACK

OWNER'S MANUAL



 **WARNING:** Read carefully and understand all **INSTRUCTIONS** before operating. Failure to follow the safety rules and other basic safety precautions may result in serious personal injury.

INTENDED USE

A trailer jack makes coupling and uncoupling from the hitch ball easier.

TECHNICAL SPECIFICATIONS & PACKING LIST

Item	Description
Capacity	2500 Lbs. (1136 kg) continuous use
Travel	18in. (45.7cm)
Power	12V DC

GENERAL SAFETY RULES



WARNING: Read and understand all instructions. Failure to follow all instructions listed below may result in electric shock, fire and/or serious injury.



WARNING: The warnings, cautions, and instructions discussed in this instruction manual cannot cover all possible conditions or situations that could occur. It must be understood by the operator that common sense and caution are factors which cannot be built into this product, but must be supplied by the operator.

SAVE THESE INSTRUCTIONS

WORK AREA

- **Keep work area clean**, free of clutter and well lit. Cluttered and dark work areas can cause accidents.
- **Keep children and bystanders** away while using a trailer jack. Distractions can cause you to lose control, so visitors should remain at a safe distance from the work area.
- **Be aware of all power lines, electrical circuits**, water pipes and other mechanical hazards in your work area, particularly those hazards below the work surface hidden from the operator's view that may be unintentionally contacted and may cause personal harm or property damage.
- **Be alert of your surroundings.** Using a trailer jack in confined work areas may put you dangerously close to cutting tools and rotating parts.

PERSONAL SAFETY

- **Use personal protective equipment. Always wear eye protection.** Safety equipment such as dust mask, non-skid safety shoes, hard hat, or hearing protection used for appropriate conditions will reduce personal injuries.
- **Do not overreach. Keep proper footing and balance at all times.** This enables better control of the trailer jack in unexpected situations.
- **Dress properly. Do not wear loose clothing or jewelry. Keep your hair, clothing and gloves away from moving parts.** Loose clothes, jewelry or long hair can be caught in moving parts.

JACK USE AND CARE

- **Use on smooth, flat surfaces only.**
- **Do not force the trailer jack. Do not attempt to lift more than the 3000-lb. maximum lifting capacity of this jack.**
- **Store idle jacks out of the reach of children and do not allow persons unfamiliar with the jack or these instructions to operate it.**

- **Maintain your trailer jack. Check for misalignment or binding of moving parts, breakage of parts and any other condition. If damaged, have the jack repaired before use.**
- **Use the jack and accessories in accordance with these instructions, taking into account the working conditions and the work to be performed.** Use of the trailer jack for operations different from those intended could result in a hazardous situation.

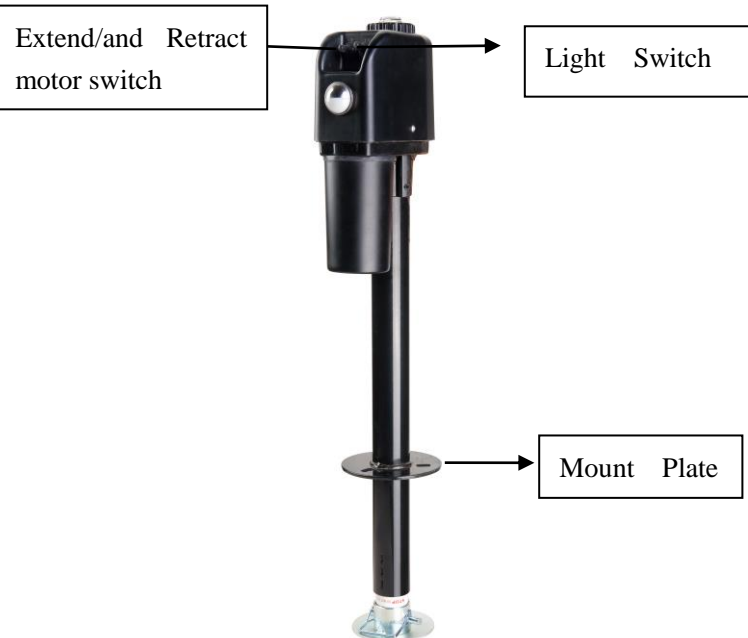
OPERATION



WARNING: Do not use blocks to increase ground clearance — the trailer can tip and fall.
Replace jack if worn, damaged or not operating freely.

Installation Instructions

1. Block the tires of the trailer and support trailer tongue.
2. The powered A-Frame Jack has been designed to attach to the top surface of the A-frame coupler.
3. Disconnect the battery ground wire.
4. Place the jack outer tube through the A-frame coupler hole.
5. Attach the jack using three 3/8in. diameter, 1in. long, grade 5 bolts, nuts and lock washers. Lock/star washers are recommended to insure a metal-to-metal contact between jack and coupler for proper grounding. Torque bolts to 15-20 ft-lbs.
6. Route the red wire lead from the plastic cover along the trailer to the battery. Attach wire lead to the trailer, using cable ties or equivalent.
7. Connect the wire lead from the jack directly to the positive terminal of the battery. This unit has a built-in circuit breaker which automatically trips and resets. Reconnect the battery ground cable.
8. Check for proper installation by activating the motor switch to ensure the jack travels in both directions.



Operation

1. Chock wheels of trailer.
2. To raise the trailer off the ball, open the coupler and toggle the motor switch to extend the jack.
3. To lower the trailer on to the ball, activate the motor switch in the opposite direction. This will retract the jack. After the coupler has fully engaged the ball, continue retracting the jack up to the "STOP" decal on the inner tube. Be sure to close the coupler.
4. If for any reason electric power is lost, remove the round plastic cap located on the top surface of the jack, insert the manual crank (included) and rotate in desired travel direction.



CAUTION: If the trailer tongue is too heavy, do not attempt to lift it; seek assistance.

1. Turn handle clockwise to raise.
2. Turn handle counterclockwise to lower.

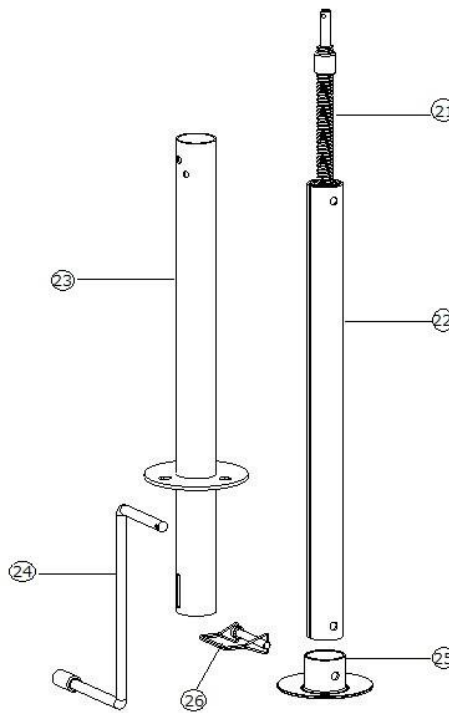
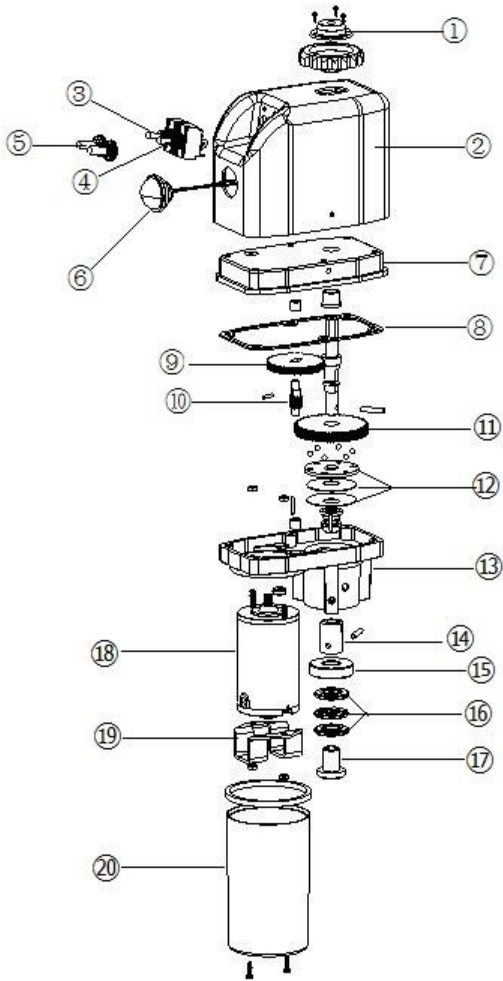


CAUTION: Do not tow trailer with jack in lowered position.

MAINTENANCE

- **Maintain your trailer jack.** Before each use, inspect the general condition of the jack. Check for loose hardware, misalignment or binding of moving parts, cracked or broken parts, damaged electrical wiring, and any other condition that may affect its safe operation.
- **Keep all moving parts lightly lubricated to prevent corrosion.**
- **After use,** wipe external surfaces of the tool with clean cloth.

DIAGRAM & PARTS LIST



Part#	Description	Qty.	Part#	Description	Qty.
1	level	1	14	Shifting fork	1
2	Plastic cover	1	15	Orientation wheel	1
3	Toggle switch	1	16	Plane thrust bearing	1
4	Light switch	1	17	Bearing pedestal	1
5	Switch booth	1	18	Motor	1
6	LED light	1	19	Connection buckle	1
7	Gear box cover	1	20	Motor cover	1
8	Rubber seal	1	21	ACME screw	1
9	gear	1	22	Inner tube	1
10	gear	1	23	Out tube	1

11	gear	1	24	Crank handle	1
12	clutch	1	25	Foot pad	1
13	Gear box base	1	26	3/8 pin	1