



950-77520 SATIN FINISH
&
950-78520 CHROME FINISH
1997 - 2001
DODGE DAKOTA & DURANGO
2 PIECE GRILLE
W / SHELL

INSTALLATION INSTRUCTIONS

VERY IMPORTANT ! Read and understand all directions and check the following parts list before starting installation.

PARTS LIST					
1	Hood Latch Cable	4	8 - 32 X 3/4" Screws	1	Paint Prep Instruction Sheet
3	9/16 Cable Clamps	4	8 - 32 Lock Nuts	1	Got Street Scene Decal
3	3/16 Cable Clamps	1	Black Nylon Spacer	1	Upper Speed Grille Insert
8	# 8 Flat Washers	1	Grille Shell	1	Lower Speed Grille Insert
1	Instruction Sheet	1	Street Scene Emblem	12	Attaching Clips # 71098
7	6 MM Nuts	4	6 MM Bolts	8	Attaching Clips # 71096

TOOL LIST	
Miss. Hand Tools	

NOTE:

When Installing the Street Scene Grille a remote secondary hood release must be installed.

NOTE:

There are two types of secondary hood releases on the Dodge Dakota and Durango. From 1997 through mid 2000 a two piece latch was used. After mid year 2000 a one piece latch was used. Refer to the illustrations and instructions for the type used on your vehicle.

NOTE:

DO NOT close the hood until you have installed the remote hood release cable.

1. Remove the grille shell from the vehicle. Open the hood and remove the fasteners from the back of the grille shell with a 8mm wrench.
2. Remove the tubular frame work from grille shell.
3. Using the 6 MM nuts and 6 MM screws provided install the tubular frame work to the grille shell.
4. Install the top Speed Grille insert into the grille shell using 5 flat clips across the top and 5 wide clips across the bottom. Install the lower Speed Grille insert into the grille shell, Attach the bottom side of grille with 5 flat clips and the upper side with a flat clips at each end and three wide clips between.
5. Install the " Street Scene " Speed Grille onto vehicle. Slight sanding to enhance the fit is recommended. Install the Street Scene Emblem on the face of the grille.

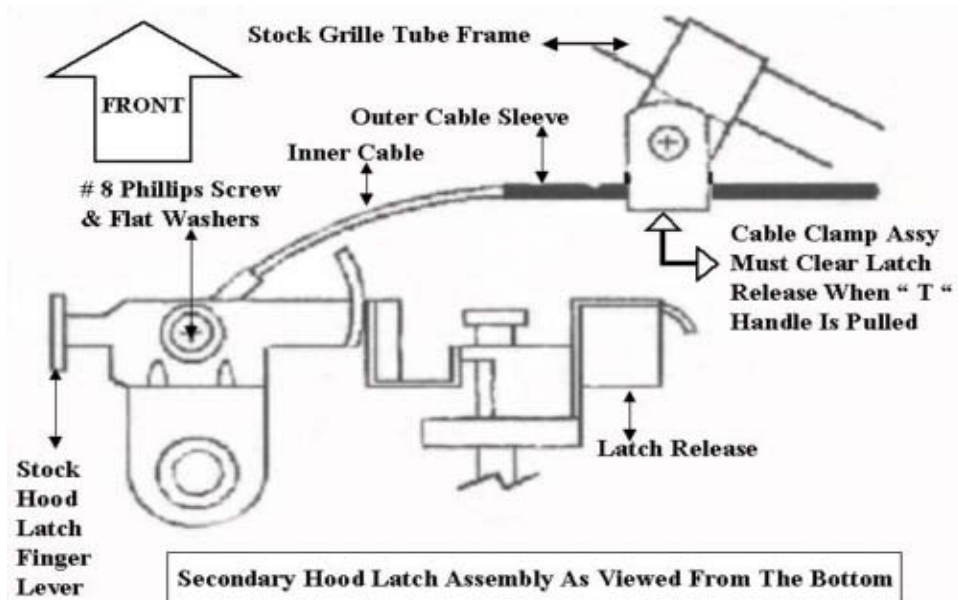
NOTE: DO NOT CLOSE HOOD AT THIS TIME

**INSTALLING THE REMOTE SECONDARY HOOD RELEASE CABLE
1997 -MID 2000 VEHICLES (TWO PIECE LATCH)**

6. Install the Remote Hood latch Cable assembly starting with attaching the cable eye on the top side of the stock release lever hole. Fasten with a # 8 screw, ny-lock nut and flat washers provided. Place the flat washers on each side of the latch hole and tighten the screw just enough so the cable end can move back and forth for ease of operation.

Route the cable as shown illustration A & E, then secure it in place to the tubing frame behind the grille with the nylon clamps as shown in illustration D. The " T " handle should be located at the bottom center of the grille so it's easily accessible when the hood is closed. The two bottom clamps should be located close to the " T " handle to keep it straight & stable. The " T " handle can be rotated straight by loosening the jam nut, rotating the handle, then holding the handle while tightening the jam nut. Before tightening the clamps, make sure the black outer part of the cable housing is slid down snugly against the " T " handle and there is no slack in the open end of the cable where it attaches to the latch. Test the operation of the " T " handle to make sure it operates the latch before closing the hood.

ILLUSTRATION "A"



MID 2000 TO 2001 VEHICLES (ONE PIECE LATCH)

7. Remove the two bolts securing the hood latch to the hood and remove the latch. Refer to illustration " B ", and drill a 5/32 hole, where marked. Re-install hood latch to hood.
8. Install the Remote Hood latch Cable assembly starting with the # 8 X 3/4 phillips head bolt thru the cable eye, then through the black nylon spacer, and then through the hole drilled into the hood release latch (See Illustration "B") Fasten with the 8/32 nylock nut and washer. Tighten the screw just enough so the cable end can move back and forth for ease of operation.

Route the cable as shown illustration C & E, then secure it in place to the tubing frame behind the grille with the nylon clamps as shown in illustration D. The " T " handle should be located at the bottom center of the grille so it's easily accessible when the hood is closed. The two bottom clamps should be located close to the " T " handle to keep it straight & stable. The " T " handle can be rotated straight by loosening the jam nut, rotating the handle, then holding the handle while tightening the jam nut. Before tightening the clamps, make sure the black outer part of the cable housing is slid down snugly against the " T " handle and there is no slack in the open end of the cable where it attaches to the latch. Test the operation of the " T " handle to make sure it operates the latch before closing the hood.

ILLUSTRATION " B "

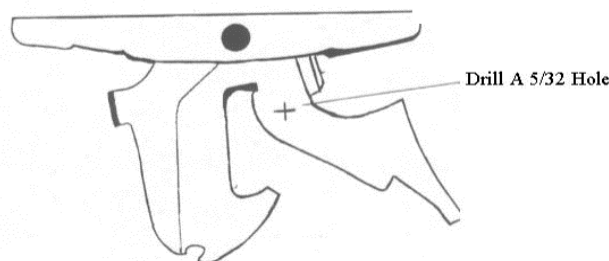
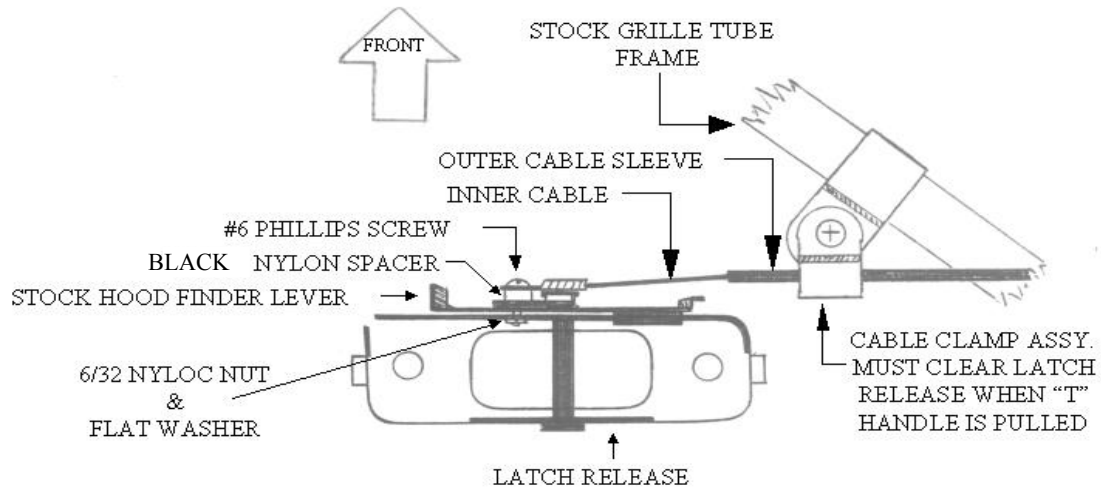
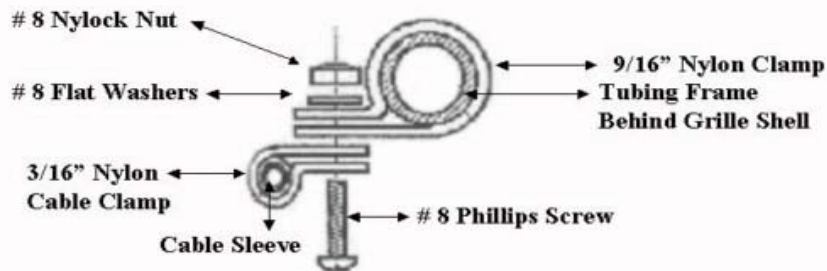


ILLUSTRATION " C "



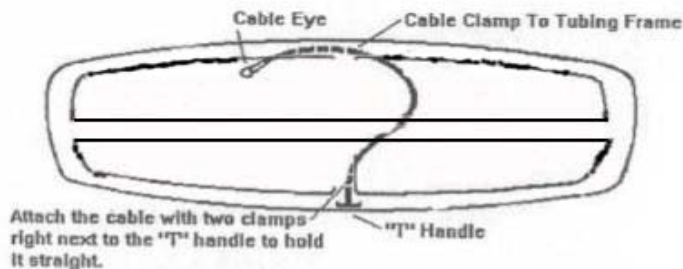
SECONDARY HOOD LATCH ASSEMBLY VIEWED FROM THE BOTTOM

ILLUSTRATION "D" CABLE CLAMPING ASSEMBLY



To assemble, first snap the clamps over the cable & tubing
Squeeze the clamps together to insert the # 8 screw
Route cable, then tighten

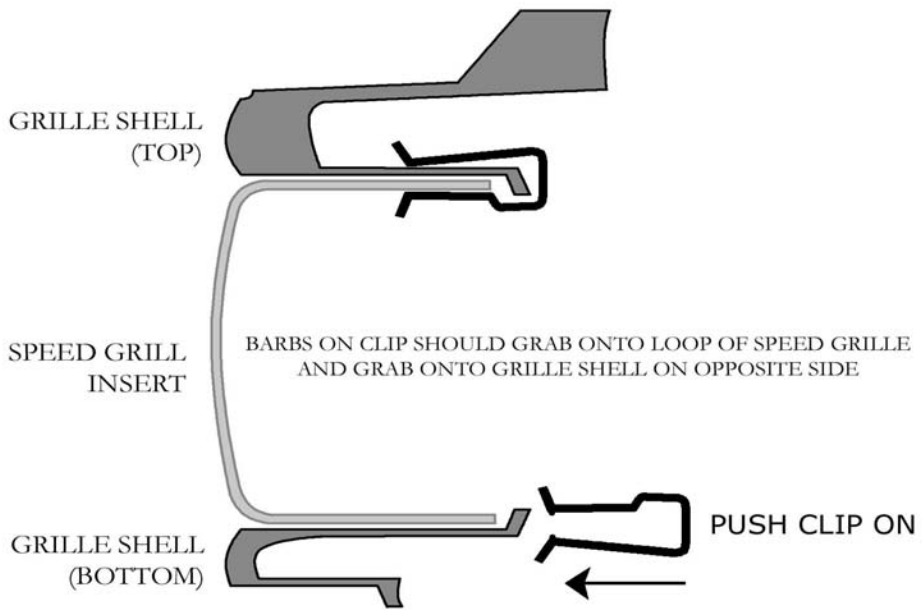
ILLUSTRATION " E "



Attach the cable with two clamps
right next to the "T" handle to hold
it straight.

Test "T" Handle Release Before Closing The Hood

Hood Release Cable Routing As Viewed
From The Front Of The Grille



CUT AWAY SIDE VIEW OF TYPICAL CLIP INSTALLATION
(CLIP SIZE MAY VARY BETWEEN APPLICATIONS)