



STREET SCENE EQUIPMENT, INC.

950-77162 SATIN FINISH
&
950-78162 CHROME FINISH
2002
CHEVY AVALANCHE
MAIN GRILLE

INSTALLATION INSTRUCTIONS

VERY IMPORTANT ! Read and understand all directions and check the following parts list before starting installation.

NOTE: Install remote secondary release cable before closing hood.

PARTS LIST					
1	Upper Grille Section	1	Instruction Sheet	1	Remote Secondary Hood Release Cable
1	Lower Grille Section	1	Street Scene Emblem	6	# 10 Washerhead Self Drilling Screws
1	Cable Mounting Bracket	5	Cable Tie	2	8/32 X 3/4" Machine Screws
2	8/32 Washers	2	8/32 Nyloc Nuts	1	Grille Care Instructions
1	3/16 "P" Clamp	1	Spacer (Black 5/16")	4	Installation Clips # 71099 (1" Long)
6	Installation Clips # 71092 (7/8" Wide Clip)				

TOOL LIST
3/16 Drill Bit, Drill Motor, Phillips Screwdriver, Tape Measure, 1/2" Wrench, 7/16" Wrench, 11/32 Wrench

1. Remove the OEM grille shell from vehicle by removing the three fasteners across the top over the radiator. Gently pull the grille shell towards you to release the seven retaining fasteners located on the grille. If you are unsure have a professional remove it. Set the grille shell on a soft covered table or bench.
2. Install the lower Speed Grille into the grille shell by inserting the top first and push up and in under the chrome bar. Use four 71099 clips (1" long) to attach the bottom side. The " Humped " side goes toward the grille. Attach the top side using four tie cables.
3. Install the upper Speed grille into the grille shell. Attach the bottom side using six 71092 clips (7/8" Wide). Push the top of the Speed Grille in and attach with four phillips washerhead screws Provided.

INSTALLING THE SECONDARY HOOD RELEASE CABLE

1. Refer to Illustration I and drill a 3/16" hole in the hood latch. Move latch hook to the right when drilling. From the back side install the 10/32 X 3/4" screw into the hole.
2. Refer to Illustration II and drill a 3/16" hole where marked on the top side of grille shell. Refer to Illustration III and insert hood release cable in "P" clamp and then install the 10/32 X 3/4" screw into hole and through " P " clamp, flat washer and nut. Tighten part way. Install grille assemble into vehicle, route cable assembly downward between radiator and grille.
3. Attach hood release cable to latch. Refer to illustration IV. Tighten so that cable will still swivel on screw. Pull the housing on the hood release cable so that there is 1/4" free play on the inner cable. Tighten the screw securely.
4. Attach the cable pull to the underside of vehicle so that it can be reached to open hood. Fasten with the two phillips head self drilling screws provided.
5. Tighten cable housing to mounting bracket using a 1/2" wrench. Tighten jam nut on " T " handle with a 7/16" wrench to the position desired. **TEST** operation of remote hood release several times before closing hood. Make sure all fasteners are tight. Using the remaining cable tie, secure the cable at around mid-point to a suitable point.
6. Install the S/S Emblem to grille face. Remove the protective cover.

ILLUSTRATION I

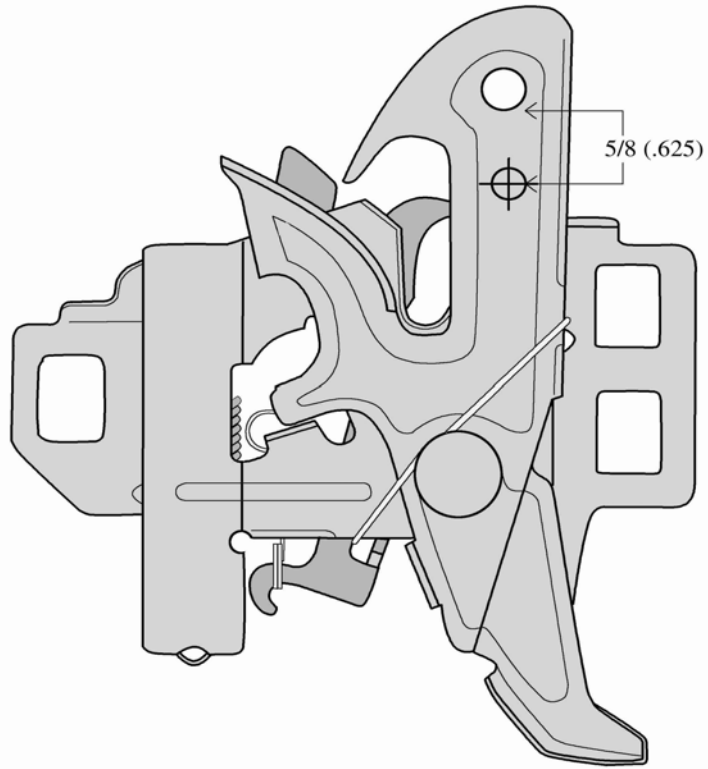


ILLUSTRATION II

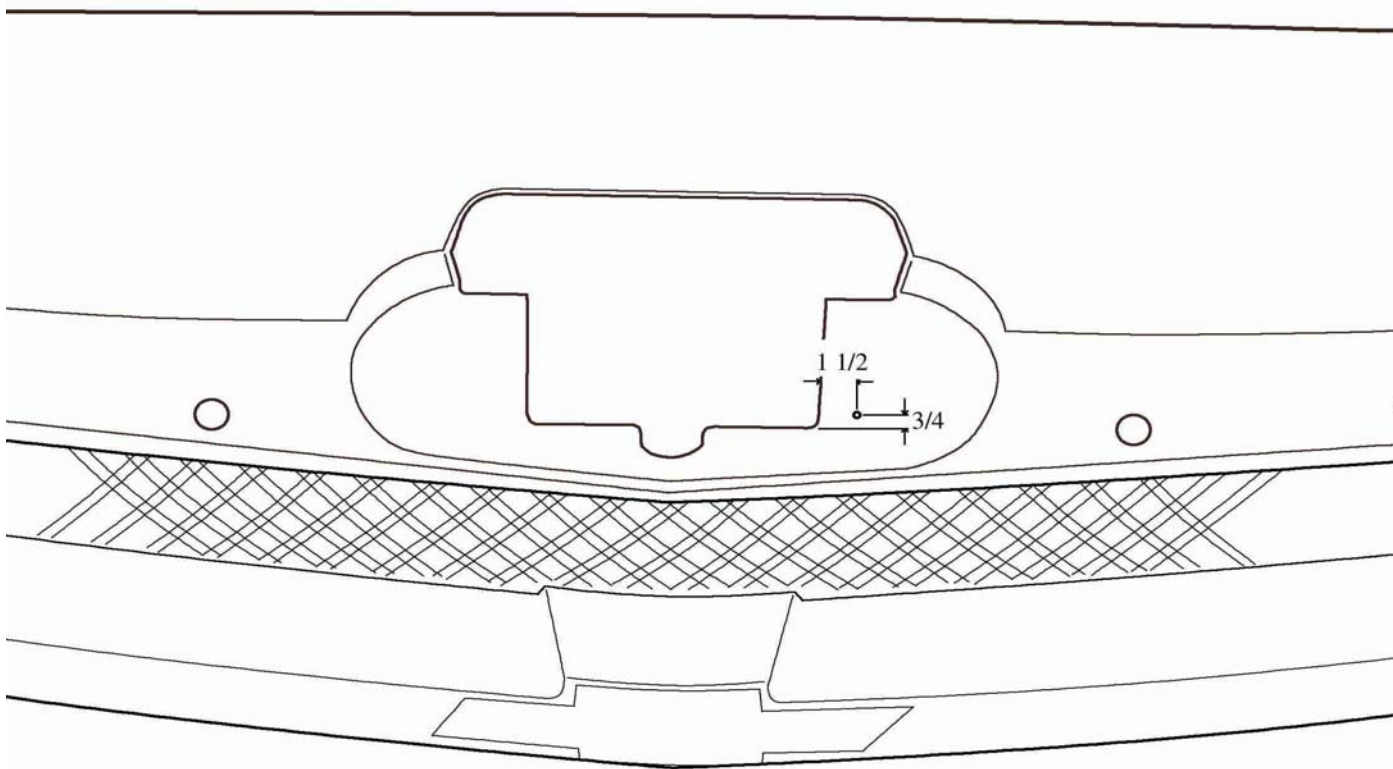


ILLUSTRATION III

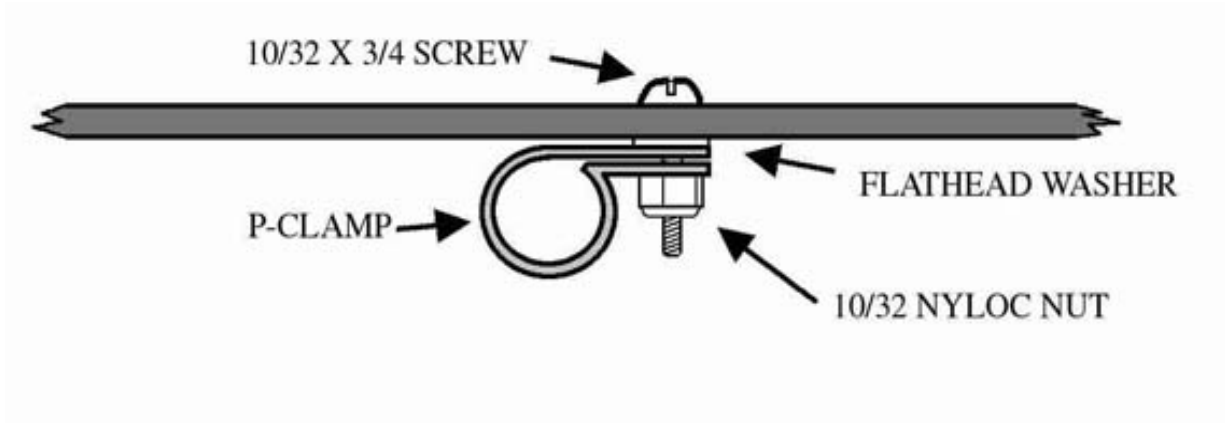


ILLUSTRATION IV

TOP VIEW

