

Strange

PRO SERIES 2-PISTON FRONT BRAKE KIT INSTRUCTIONS

KIT #
B4446WC - 1994-2004 Mustang

APPLICATIONS
'94 - '04 Mustang reusing
factory hubs

Before you begin installation:

-Strange Engineering brake kits are designed for
DRAG RACING ONLY!

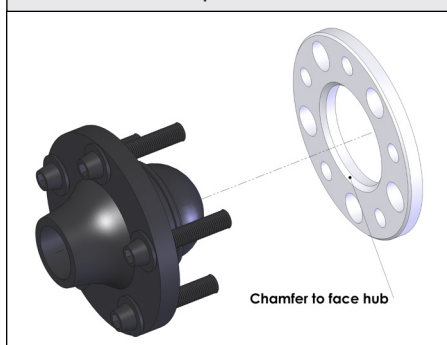
-Read these instructions thoroughly and save for future reference.

-If after reading these installation instructions, you have any questions
or comments, please do not hesitate to call us.

Installation instructions

1. Raise and support front of vehicle on a level surface using suitable equipment.
 2. Remove wheel, stock disc, brake line, caliper assembly and dust shield from spindle.
 3. Mount caliper bracket (1) with the press nuts (2) facing outboard side of vehicle using one M12-1.5 x 50 caliper bracket bolt (4) and one M12-1.5 nylock nut (5) in each of the stock bolt locations. Torque to 65 ft. lbs.
 4. Slide the wheel spacer over the wheel studs flush to the face of the hub.
Note: Chamfer on wheel spacer must be oriented in the inboard direction. Refer to Figure 3.
 5. Slide the rotor (6,7) over the wheel studs flush to the wheel spacer.
Note: Minimum clearance between the caliper mounting bracket bolts and the inboard face of the rotor should be 1/16" (.0625").
Contact Strange Engineering if clearance is less than 1/16"
Note: Slotted rotors mount with the arrow pointing in the direction of normal rotation.
- Please read B1825 instructions for complete 2-piston caliper instructions.
6. Attach caliper (10) using 3/8"-24 caliper bolts (12) and 3/8" I.D. flat washers (9). Use 3/8" I.D. caliper shims (8) to center the caliper over the rotor, making sure pads contact the rotor evenly. Use any remaining shims under the head of the 3/8" Dia. Caliper bolt to prevent the bolt from contacting the rotor. Torque the caliper mounting bolts (12) to 35 ft-lbs.
 7. Connect the hydraulic lines to the calipers. Calipers are tapped to 1/8"-27 NPT and supplied with -3AN fittings. Use proper adapters to connect them to existing lines or use new -3AN braided steel line (teflon lined). Bleed the calipers with DOT 4 or DOT 5.1 brake fluid ONLY.
 8. A proper break in procedure is required to avoid brake fade and uneven rotor deposits from the pads. It consists of 8-10 brake applications

FIGURE # 3: Spacer Orientation



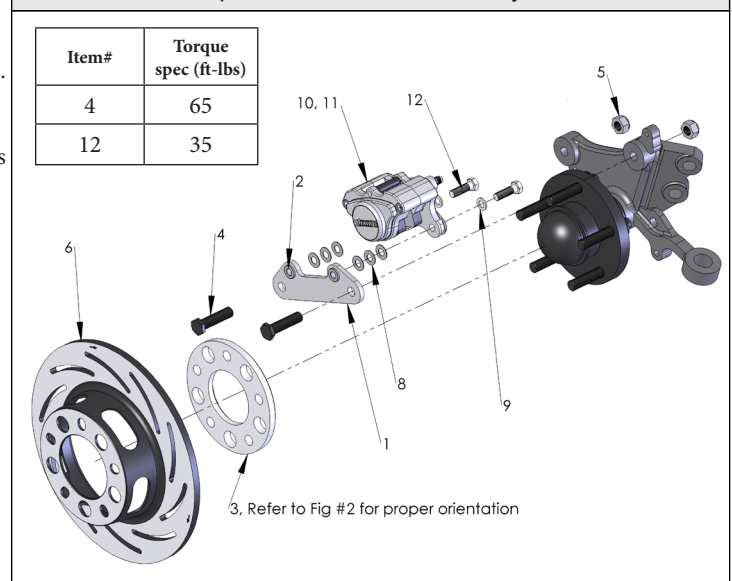
increasing in harshness while allowing the brakes to cool slightly in between; do not keep the brakes applied between stops. After the last stop the brakes should be allowed to cool completely.

Note: After the initial installation of this kit, ensure that there is adequate clearance between all braking and chassis components by turning the wheels all the way left to right and moving them all the way up and down throughout the length of the wheel (suspension) travel. Additionally, make sure that the brake lines are not interfering with the wheel travel, or subject to binding or kinking. Operate the vehicle in a cautious manner until you determine that the brakes are functioning properly. Routinely check and re-torque all bolts.

KIT CONTENTS

ITEM#	PART#	QTY	DESCRIPTION
1	B4446A	2	Late Mustang Bracket
2	B1301E	4	3/8"-24 Press nut
3	B4446B	2	Late Mustang wheel spacer
4	A1035AL	4	M12-1.5 x 50 Caliper Bracket Bolt
5	B4446C	4	M12-1.5 Nylock nut
6	B2795	1	Right hand HD/MD tapered rotor
7	B2796	1	Left hand HD/MD tapered rotor
8	B1301H	16	3/8" I.D. x 0.025" Thick caliper shim
9	B1301J	4	3/8" I.D. x 1/16" Thick caliper washer
10	B2560	2	2-piston caliper
11	B2510	4	2-piston caliper pad
12	B5000Y	4	3/8"-24 x 1.125" Caliper bolt

FIGURE # 1: Exploded B4446WC Assembly View



WARNING - RACING IS HAZARDOUS · STRANGE BRAKES ARE FOR LEGAL DRAG RACING ONLY

Disclaimer of Warranty - Purchasers using Strange Engineering racing components and equipment any and all inventory services, purchasers acknowledge that due to differing conditions and circumstances under which all equipment and parts are installed and used, purchasers are not relying on Strange Engineering Co. skill or judgment to select or furnish the proper part or equipment. Purchasers expressly affirm they are relying upon their own skill or judgment to select and purchase suitable goods.

Strange Engineering Co. makes no warranties whatsoever, expressed or implied, oral or written, to purchasers. There is no warranty of merchantability made to purchasers. Strange Engineering Co., further excludes any implied warranty of fitness with respect to racing and equipment, any and all inventory and service.