

Strange

Kit Summary:

Kit #	A1030, A1031 & A1032
Description	C-clip eliminator kits with ball bearings (<i>factory drums only, 2.832 offset</i>)
Applications	A1030- Strange axles in factory small G.M. housing end A1031- Strange axles in factory large G.M. housing end A1032- stock axles in factory small G.M. housing end
Page	1 of 2 total pages
Date Modified	Jul 14, 2014

Housing Preparation (refer to figure 1)

1. Remove wheel and tire, drum and axle from the housing (axle c-clip must be removed first).
2. Disassemble the rear drum kit and remove the studs and backing plate from the housing end flanges.
3. Remove the stock bearing and seal from the housing snouts.
4. Refer to figure 1 and shorten the housing snout leaving the register for the backing plate only. Remove any burrs.
5. Remove any rust, dirt or grease from the modified housing and both seating surfaces of the backing plate.
6. Slide the bolts (8) through the housing end flange.

Note: Use the provided stud (3) instead of the bolt in locations where clearance may be an issue due to the stock shock mount brackets.

7. Apply a thin coating of RTV sealer to both sides of hub gaskets (7).

Note: A1030 and A1032 are supplied with gaskets.

A1031 kits are not supplied with gaskets. RTV must be applied on the mating surface between the backing plate and housing end as well as the mating surface between the inboard half and the backing plate.

8. Re-install the brake backing plate with gaskets or RTV.
9. Push the inner hubs (4) with seals (5) over the bolts and against the backing plate and gasket or RTV.

Axle Preparation (refer to figure 2,3,4)

10. Slide the outer hubs (with threaded holes) over each axle shaft, with the small bore of the hub facing the axle flange.
11. Press the bearings onto the axle shafts. Press only on the inner race of the bearing.

Note: A1030 and A1031 kits - press the bearing against the shoulder of the axle.

A1030 and A1031 kits - ensure the o-ring faces the axle flange. (*figure 2*)

A1032 kits - press the bearing on until 2.00" is achieved from axle flange to inboard side of bearing. (*figure 4*)

A1032 kits - o-ring must face the spline end of the axle. (*figure 3*)

12. Press the wedding rings on. The wedding ring is a press fit and should seat firmly against the bearing. There should be no movement of the bearing inner race.

Axle Installation (refer to figure 5)

13. The button on the end of stock axles must be completely cut off to avoid contact with the variety of differential units.
14. Coat the spline portion of the axle with white lead compound or grease. This will help determine axle spline engagement.
15. Re-install the axles with the safety hub assembly and rotate the safety hubs to align with the bolts (8).

Note: Due to a variety of differentials and gear ratios ensure the axle shafts do not contact the differential cross pin.

The axle must be cut if it makes any contact. Contact can be checked by coating the ends of the axle with white lead compound or grease.

16. Remove the axle from the housing and ensure spline engagement is at minimum 1".
17. Re-assemble the axle into the housing and torque the housing end bolts (8) to 40 ft-lbs or jet nuts (10) to 35 ft-lbs.

A1030 Kit Contents

ITEM#	PART#	QTY	DESCRIPTION
1	A1030B	2	Safety Hub Outer Half (<i>threaded half</i>)
2	A1020	2	Ball Bearing
3	A1030G	2	GM Safety Hub Stud (<i>optional</i>)
4	A1030A	2	Safety Hub Inner Half
5	A1030C	2	Axle Seal
6	--	2	Wedding Ring (<i>included with bearing</i>)
7	A1030E	4	Housing End Gaskets
8	A1030D	8	3/8"-16 x 2" HHCS
9	S3402N	2	3/8" Washer (<i>optional</i>)
10	F1282	2	3/8"-24 Jet Nut (<i>optional</i>)

A1031 Kit Contents

ITEM#	PART#	QTY	DESCRIPTION
1	A1031B	2	Safety Hub Outer Half (<i>threaded half</i>)
2	A1020	2	Ball Bearing
3	n/a		
4	A1031A	2	Safety Hub Inner Half
5	A1031C	2	Axle Seal
6	n/a		
7	n/a		
8	A1030D	8	3/8"-16 x 2" HHCS
9	n/a		
10	n/a		

A1032 Kit Contents

ITEM#	PART#	QTY	DESCRIPTION
1	A1032B	2	Safety Hub Outer Half (<i>threaded half</i>)
2	A1032C	2	Ball Bearing
3	A1030G	2	GM Safety Hub Stud (<i>optional</i>)
4	A1032A	2	Safety Hub Inner Half
5	A1030C	2	Axle Seal
6	--	2	Wedding Ring (<i>included with bearing</i>)
7	A1030E	4	Housing End Gaskets
8	A1030D	8	3/8"-16 x 2" HHCS
9	S3402N	2	3/8" Washer (<i>optional</i>)
10	F1282	2	3/8"-24 Jet Nut (<i>optional</i>)

FIGURE # 1: Exploded view

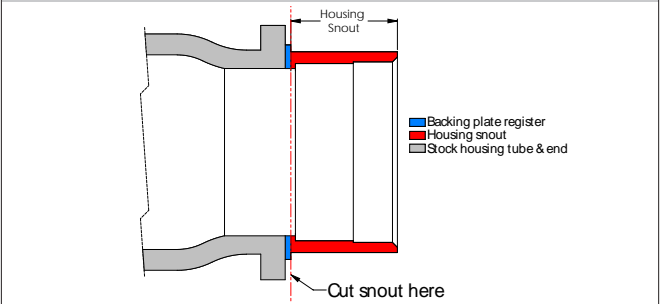


FIGURE # 2: A1030 & A1031

FIGURE # 3: A1032

FIGURE # 4: A1032

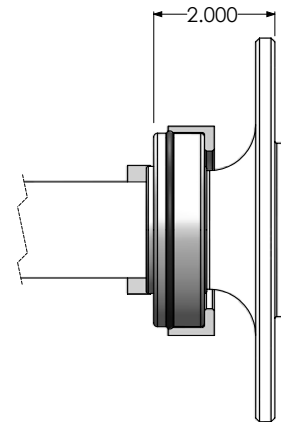
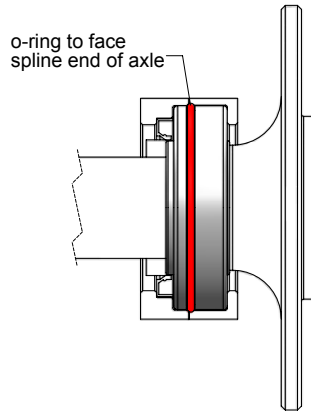
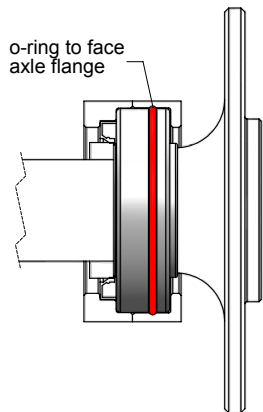


FIGURE # 5: Exploded view

