

Charging & Discharging Capacitors

Overview...

This document covers charging and discharging Stinger Power Capacitors using the 4 wire resistor circuit board. The procedure is the same for hybrid and conventional caps.

Prior to installing/charging any capacitor, completely read the manual and precautions that came with the capacitor.

Charging with Circuit Board (FIG A)

- Connect the YELLOW wire to the Capacitor Negative(-) terminal.
- Connect the BLUE wire to the Capacitor Positive(+) terminal.
- Connect the RED wire to Positive(+) 12 volt power.
- Connect the BLACK wire to Negative(-) 12 volt ground.

Once all connections are made, the Green LED will illuminate while the capacitor is charging. Depending on the size of the capacitor, charging time can be up to 10 minutes. The Green LED will turn off when charging is complete.

Discharging with Circuit Board (FIG B)

Disconnect all power/grounds from the capacitor before discharging.

- Connect the YELLOW wire to the Capacitor Negative(-) terminal.
- Connect the BLUE wire to the Capacitor Positive(+) terminal.
- Connect the RED wire to the BLACK wire.

Once all connections are made, the Red LED will illuminate while the capacitor is discharging. Depending on the size of the capacitor, discharging time can be up to 2 minutes. The Red LED will turn off when discharge is complete.

FIG A

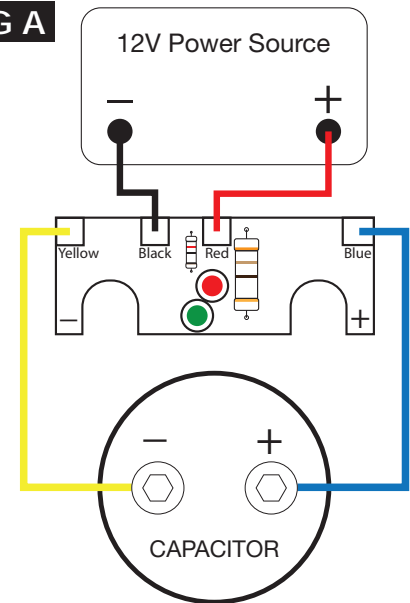


FIG B

