

# STEMCO®

# HUB SEALS

# LONGER LIFE FOR THE LONGEST HAUL

**Guardian®**  
**HP**  
HUB SEALS



## **Technologically Advanced Seal**

Guardian® HP has been developed for extra protection and greater sealing with its high performance sealing lip and superior contamination exclusion. The rubber outer diameter allows for faster hub cleaning with less corrosion damage to the hub.

## **Single-Step, Error-Proof Installation**

Installation right on the axle instead of the hub bore assures positive alignment every time with virtually error-proof installation. There's no tool impact on the seal causing damage or installation-related failures. Guardian® HP is easy to remove and service, with no bearings damaged during seal removal.

## **Trailer and Axle OEM Standard Seal**

Guardian® HP is the OEM seal of choice in the heavy duty trailer industry with over 25 years of proven success. The enhanced seal features offer improved cost-per-mile performance in addition to simple, one-step axle installation.

# HUB SEALS

## GUARDIAN® HP Application Reference Guide

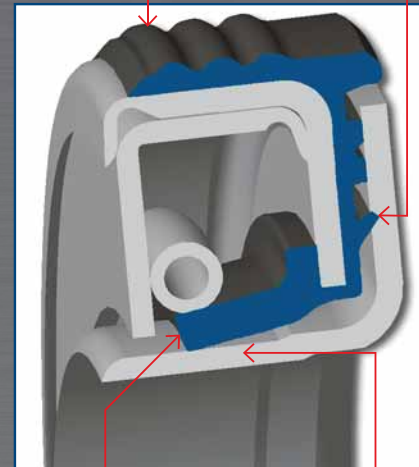


APPLICATION	GUARDIAN® HP	INNER BEARING	UNIVERSAL AXLE TOOL HEADS
19,000# Trailer Axle Standard Forge, Dana, Meritor, Eaton	307-0713	663	555-5100
Pro-Par Trailer Axle Fruehauf, Eaton P-22 Meritor TP, Dana	307-0723	HM518445	555-5023
22,500# Trailer Axle Meritor, Standard Forge, Dana Eaton	307-0743	HM218248	555-5039
12,000# Front Axle Meritor, Eaton Ford, Freightliner, Kenworth, Western Star, Navistar Peterbilt, Volvo GM	308-0836	39581 HM212044 HM212049-X HM212047	555-5062 555-5061 555-5098 555-5066
16,000# Front Axle Ford, Navistar, Mack, Meritor, White, Kenworth, Volvo GM, Western Star, Peterbilt	308-0864	6461A	555-5007
34,000# Drive Axle, Mack 44,000# Drive Axle, Mack	309-0903 309-0904	580, 582 663, HM516449-C HM516449-A	555-5072 555-5072 555-5073
38,000# 46,000# Tandem Axles, Eaton, Ford, Freightliner, Kenworth, Western Star, Peterbilt, Meritor, Navistar, Volvo GM	309-0973	594,-A 598,-A	555-5076 555-5071

### GUARDIAN® HP SEAL

O.D. Beads Allow  
For Easier Hub Docking

Flexible Containment  
Exclusion Lip



High Performance  
Sealing Lip

Semi-Unitized Design

Sealing lip, O.D. beads, thrust pad, and flexible contaminant exclusion lip are all molded as a single unit from high temperature elastomeric co-polymer for fewer leak paths and better heat resistance.

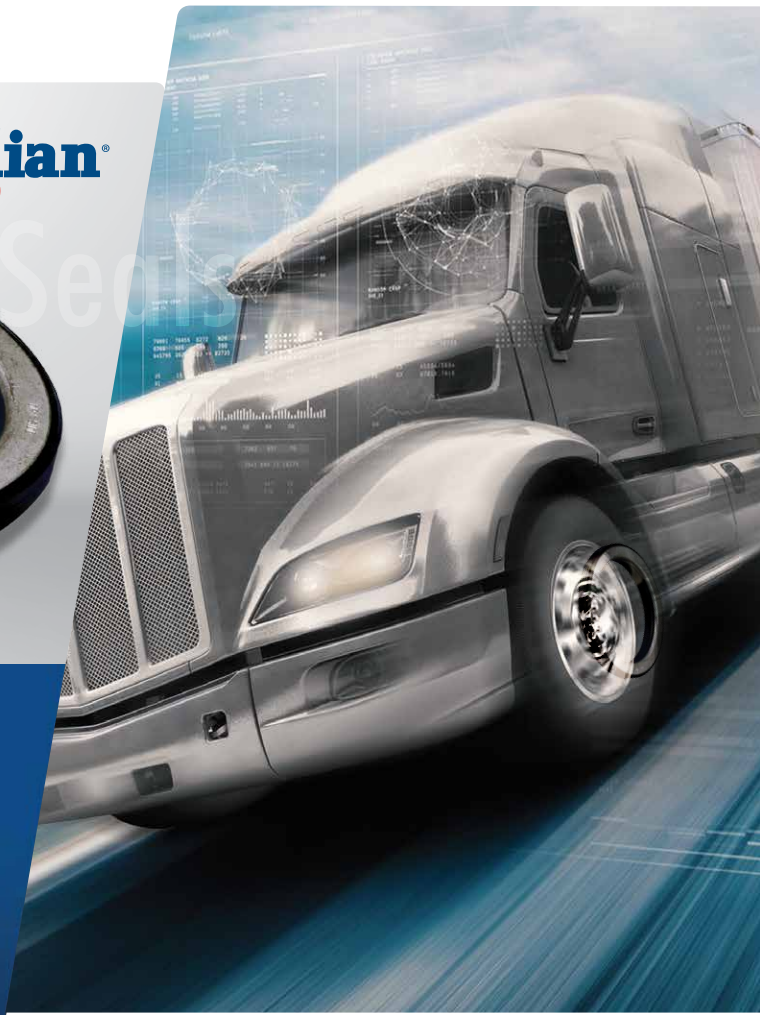
## GUARDIAN® HP Interchange

GUARDIAN® HP	STEMCO	SKF	SKF PLUS	SKF LONGLIFE	NATIONAL RED	NATIONAL GOLD	OUTRUNNER
307-0713	372-7098	40136	40133	40146	370036A	380036A	850
307-0723	372-7099	42623	42623	42631	370065A	380065A	851
307-0743	372-7097	46305	46304	46308	370025A	380025A	859
308-0836	382-8036	35066	35059	35102	370001A	380001A	847
308-0864	382-8064	43764	43763	N/A	370048A	380048A	863
309-0903	392-9094	45099	45097	45108	370022A	380022A	856
309-0904	392-9112	42672	42671	N/A	370031A	380031A	852
	392-9130						
309-0973	392-9131	47697	47695	47693	37003A	38003A	861





### Guardian® HP



## LONGER LIFE FOR THE LONGEST HAUL

The Guardian® HP incorporates the best features for preventing the leading causes of seal-life degradation—contamination ingress and heat generation.

### Technologically Advanced Seal

With its high-performance sealing lip and superior contamination exclusion, Guardian HP has been developed for extra protection and greater sealing. The rubber outer diameter allows for faster hub cleaning with less corrosion damage to the hub.

### Single-Step, Error-Proof Installation

Installation directly on the axle, rather than the hub bore, ensures positive alignment every time. No tool impact on

the seal means no damage or installation-related failures. Plus, Guardian HP is easy to remove and service, so there's no opportunity for bearing damage during seal removal.

### Trailer and Axle OEM Standard Seal

With over 25 years of proven success, Guardian HP is the OEM seal of choice in the heavy-duty trailer industry. The enhanced seal features offer improved cost-per-mile performance in addition to simple, one-step axle installation.

# GUARDIAN® HP

## APPLICATION REFERENCE GUIDE

APPLICATION	GUARDIAN HP	INNER BEARING	UNIVERSAL AXLE TOOL HEADS
<b>19,000# Trailer Axle:</b> Standard Forge, Dana, Meritor, Eaton	307-0713	663	555-5100
<b>Pro-Par Trailer Axle:</b> Fruehauf, Eaton P-22, Meritor TP, Dana	307-0723	HM518445	555-5023
<b>22,500# Trailer Axle:</b> Meritor, Standard Forge, Dana, Eaton	307-0743	HM218248	555-5039
<b>12,000# Front Axle:</b> Meritor, Eaton, Ford, Freightliner, Kenworth, Western Star, Navistar, Peterbilt, Volvo GM	308-0836	39581 HM212044 HM212049-X HM212047	555-5062 555-5061 555-5098 555-5066
<b>16,000# Front Axle:</b> Ford, Navistar, Mack, Meritor, White, Kenworth, Volvo GM, Western Star, Peterbilt	308-0864	6461A	555-5007
<b>34,000# Drive Axle:</b> Mack	309-0903	580, 582	555-5072
<b>44,000# Drive Axle:</b> Mack	309-0904	663, HM516449-C HM516449-A	555-5072 555-5073
<b>38,000#, 46,000# Tandem Axles:</b> Eaton, Ford, Freightliner, Kenworth, Western Star, Peterbilt, Meritor, Navistar, Volvo GM	309-0973	594,-A 598,-A	555-5076 555-5071

### GUARDIAN HP INTERCHANGE

GUARDIAN HP	GRIT GUARD	SKF CLASSIC	SKF PLUS	NATIONAL RED	NATIONAL GOLD
307-0713	372-7098	40136	40129	370036A	380036A
307-0723	372-7099	42623	42627	370065A	380065A
307-0743	372-7097	46305	46300	370025A	380025A
308-0836	382-8036	35066	35058	370001A	380001A
308-0864	382-8064	43764	43761	370048A	380048A
309-0903	392-9094	45099	45093	370022A	380022A
309-0904	392-9112 392-9130	42672	42673	370031A	380031A
309-0973	392-9131	47697	47691	370003A	380003A

Sealing lip, O.D. beads, thrust pad, and flexible contaminant exclusion lips are all molded as a single unit from high-temperature rubber for fewer leak paths and better heat resistance.

