

# Stellar

Automotive Security Systems

**BMW Compatible  
Keyless Entry Unit**

**BMW45P/BMW45PC**

<b>Parts List</b>		
- 2 Transmitters	- Receiver	- Wire Loom
- 3 Wire Ties		- Instructions

Congratulations on your purchase of a Stellar keyless entry unit! Your satisfaction and enjoyment is import to us. In the event that you experience any installation or operation problems with your system please feel free to contact us directly. Many problems can be easily solved without returning the system to your local dealer. We hope you enjoy your new Stellar keyless entry unit and don't forget to fill out you warranty card! :-)

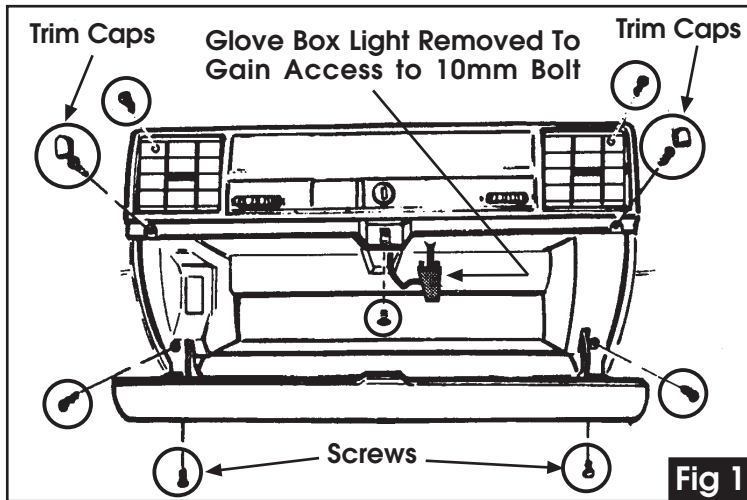
**Individual stores and catalogs  
do not stock spare parts.**

**Please contact us directly if you are  
missing a part or have any  
questions.**

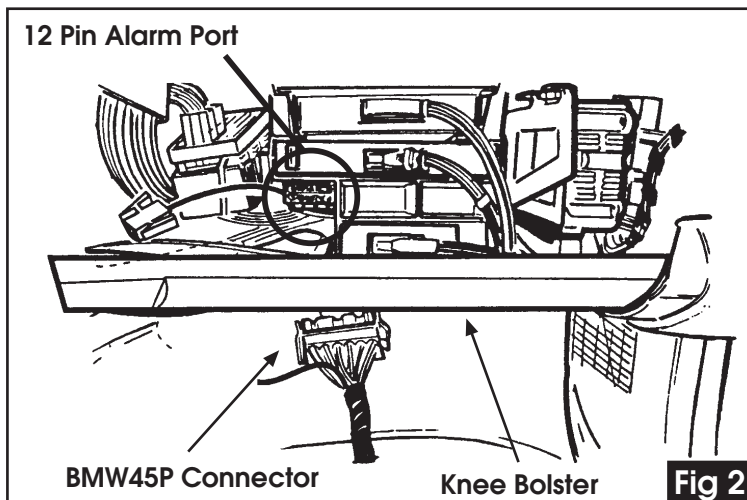
## Receiver Installation

### (E-36) 3 Series ( Except 318ti & Z3 )

1. Carefully remove the passenger glove box assembly by removing the following screws. (Figure 1)
  - Remove the individual screws from behind each of the two vents above the glove box.
  - Open the glove box and remove the two trim caps.
  - Remove the eight screws shown in Figure 1.
  - Remove the glove box light to gain access to the 10mm bolt. Remove the bolt.

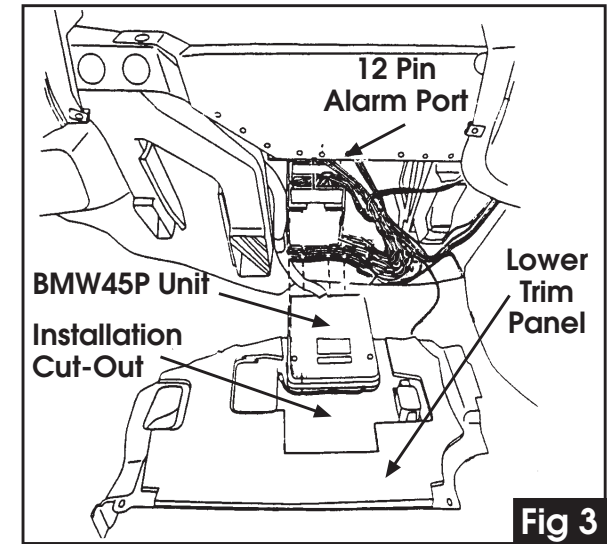


2. Remove the glove box assembly and disconnect all electrical wiring connections.
3. Plug in the BMW45P connector to your BMW's 12 pin alarm port. (Figure 2)



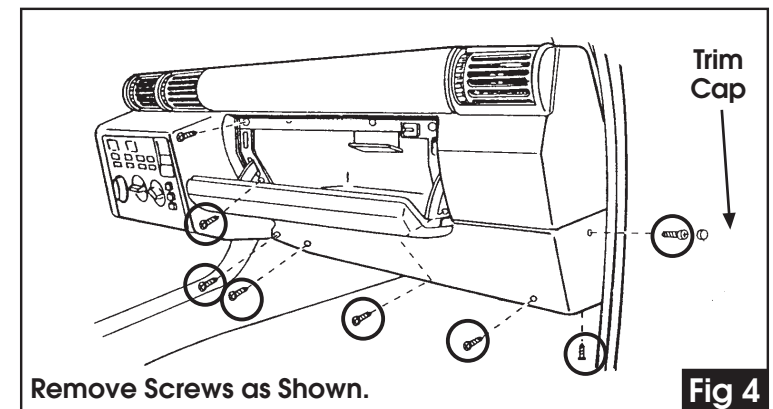
4. Mount the unit securely to the vehicle. In some cases you will need to remove part of the lower trim panel's insulation to make the receiver fit. (Figure 3)

### Go to " Final Installation"

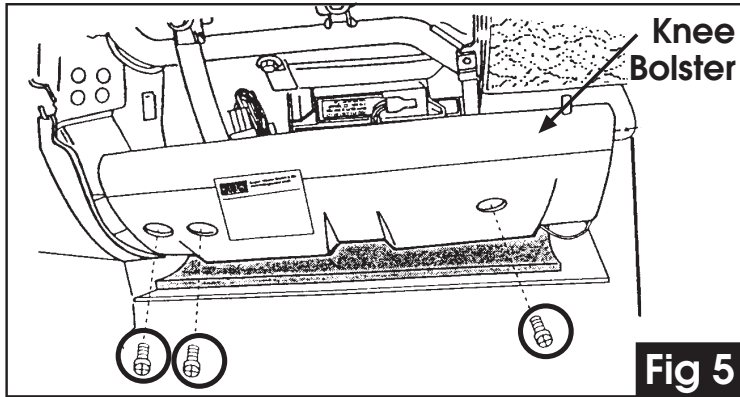


### (E-36) 318ti

1. Carefully remove the passenger glove box assembly by removing the screws shown in figure 4.
2. Remove the glove box assembly and disconnect all electrical wiring connections.



3. Remove the passengers knee bolster by unscrewing the three 10mm hex head bolts. (Figure 5)

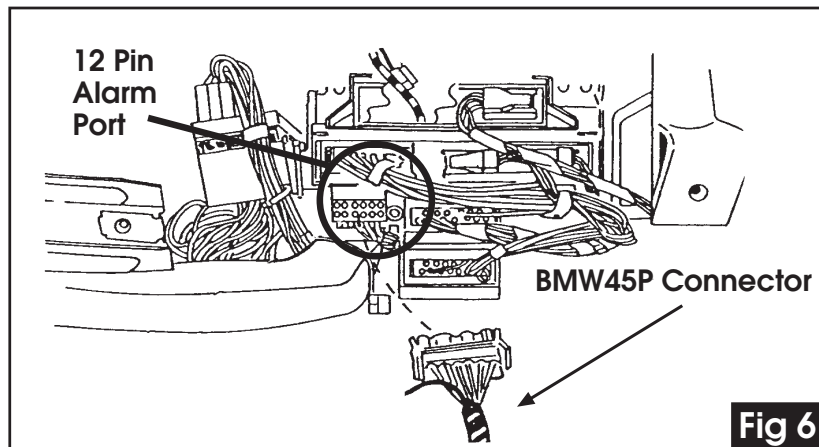


4. Remove the lower trim panel. (Figure 3)

5. Plug in the BMW45P connector to your BMW's 12 pin alarm port. (Figure 6)

6. Mount the unit securely to the vehicle. In some cases you will need to remove part of the lower trim panels insulation. (Figure 3)

Go to " Final Installation"

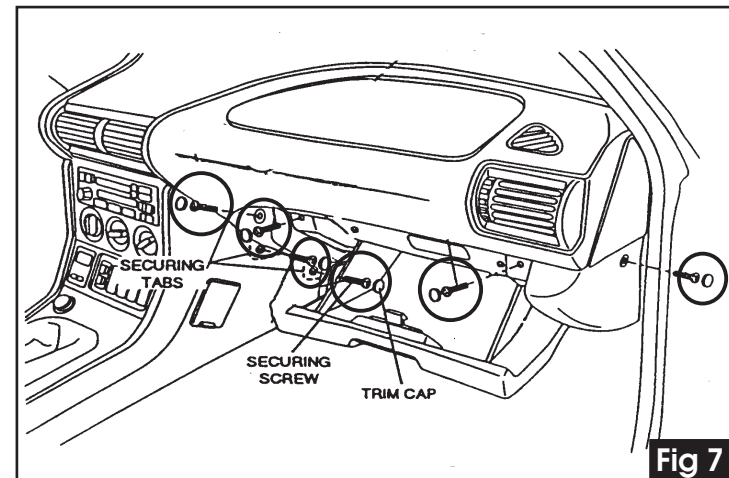


### Z3 Roadster

1. Carefully remove the passenger glove box assembly by removing the screws shown in figure 7.

2. Locate and remove the passenger's lower side trim panel by removing the 3 plastic retainers (turn 90 degrees).

3. Remove the glove box assembly by lifting up the left side in order to clear the securing tabs.

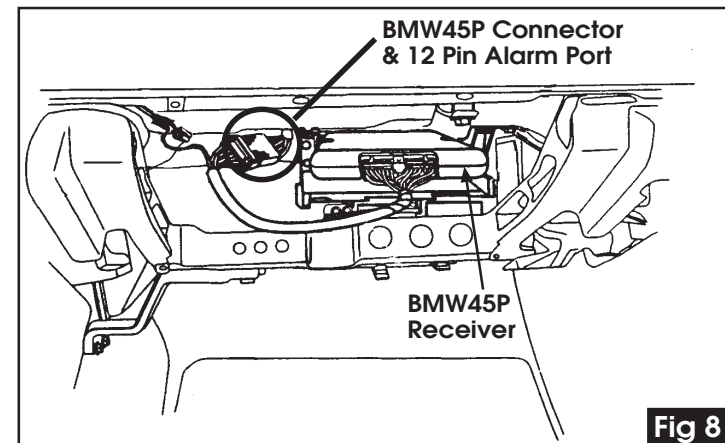


2

4. Plug in the BMW45P's connector to your BMW's 12 pin alarm port.(Figure 8)

5. Mount the unit securely to the vehicle.

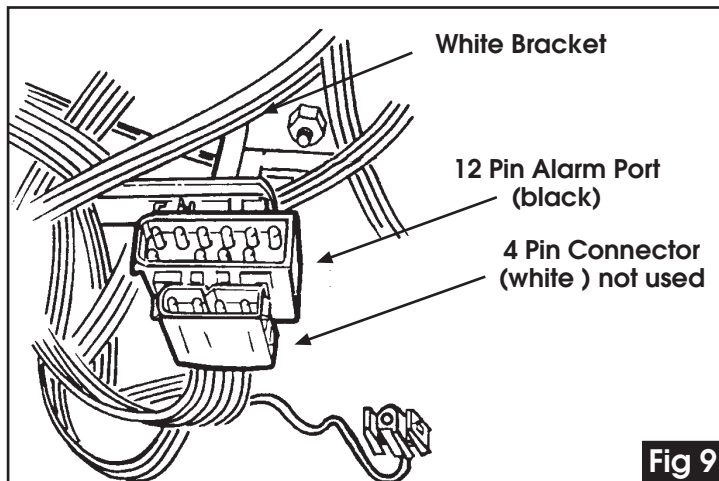
Go to " Final Installation"



### (E-32) 7 Series

1. Carefully remove the drivers side knee bolster to gain access under the dash and steering column.
2. Locate the black 12 pin alarm port. This port is located approximately 5 inches to the left of the brake pedal bracket. The alarm port is mounted between a white bracket and a white 4 pin connector against the firewall. (Figure 9)
3. Plug in the BMW45P connector to your BMW's 12 pin alarm port.
4. Mount the BMW45P's unit securely to the vehicle.

Go to "Final Installation"



### (E-34) 5 Series

1. Carefully remove the rear seat bottom.
2. Locate the black 12 pin alarm port. This port is located at the extreme right of the rear seat well.
3. Plug in the BMW45P connector to your BMW's 12 pin alarm port.
4. Mount the unit securely to the vehicle. Make sure the wire harness and unit does not interfere with the seat bottom or battery.

Go to "Final Installation"

## Final Installation

1. Check all connections & fuse in the harness.
2. Check to make sure the system is fully functional.
3. Position the alarm's fuse in an easy to access area for future service.
4. Hide, and clean up all loose wires. Check that alarm wiring does not interfere with any other vehicle wiring components or moving parts.
5. Reinstall all BMW parts (glove box, center console, knee bolster ect. )
6. Place vehicle security decals on front windows.

## Trouble Shooting

**Q. When I plug in the alarm the LIGHTS FLASH and nothing happens.**

**A.** This problem is by the following:

1. Check the harness connections.
2. The unit does not have power. On some BMW if the alarm was not purchased direct from BMW 1 of the 4 fuses was not installed. To solve this problem locate the missing fuse and replace it with a new one. Check your owners manual for fuse location. Usually it is located under the drivers dash near the firewall.

**Q. How do I mount the receiver?**

**A.** Use the cable ties to attach the receiver to a dry part of your vehicle.

**Q. When I push my remote button nothing happens?**

- A.** Check to make sure the unit has power.
- Check all connections
  - Check fuse
  - Check ground

**Q. Why is the Purple wire not connected, and what does it do?**

**A.** The Purple wire is the accessory output wire. For added convenience the BMW45P has the ability to control additional features such as:

Power Trunk Kit (PT 1500)

Remote Start Units (RS 1050)

Window Control Units (BMW1T)

## Also Available For Your BMW

1 Touch Express BMW Window Units  
Plug in Car Alarms w/ Keyless Entry  
Remote Power Trunk Kits

