

INSTALLATION INSTRUCTIONS

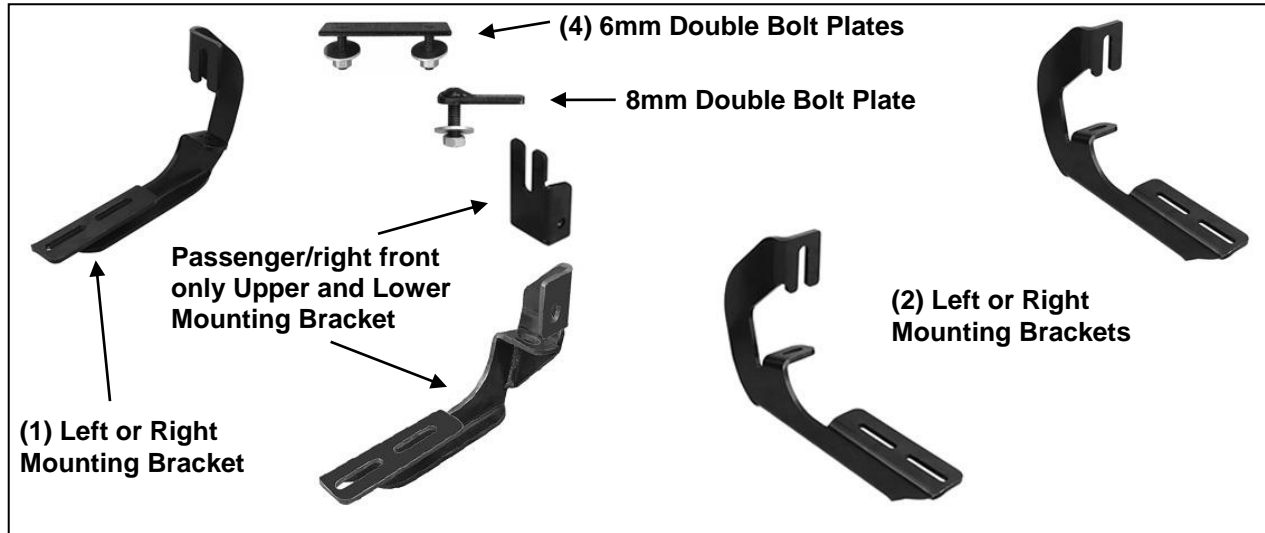
RATTLER STEEL RUNNING BOARDS

07-15 1500-2500-3500 SILVERADO/SIERRA REGULAR CAB

INCLUDES DIESEL W/DEF

PARTS LIST:

2	Running Boards	9	8mm Lock Washers
1	Passenger/right Front Upper Bracket (all incl. DEF)	1	8mm Bolt Plate
1	Passenger/right Front Lower Bracket (all incl. DEF)	1	8mm Nylon Lock Nut (use w-bolt plate)
3	Mounting Brackets (use for left or right)	4	6mm Double Bolt Plates
7	8-1.25mm Clip-On Nuts	8	6mm Hex Nuts
9	8-1.25mm x 25mm Hex Bolts	8	6mm Lock Washers
9	8mm x 24mm x 2mm Flat Washers	8	6mm x 22mm OD x 2mm Flat Washers



PROCEDURE:

REMOVE CONTENTS FROM BOX. VERIFY ALL PARTS ARE PRESENT. READ INSTRUCTIONS CAREFULLY BEFORE STARTING INSTALLATION. ASSISTANCE IS RECOMMENDED. ON MODELS WITH DEF TANK, SELECT A FLAT, LEVEL AREA FOR INSTALLATION.

1. Start the installation under the driver side of the vehicle. Locate the 3 tabs along the bottom edge of the body, (pinch weld). Mounting Brackets will bolt to the 1st and 2nd mounting tabs, **(Figure 1)**. Directly above each tab is a top mounting location on the side of the body panel. Hold a Bracket up in place to help determine the mounting holes to use along the body.
2. Determine the correct procedure for your model year and each Bracket location.

Bottom mounting location on the edge of the pinch weld.

Flat tab on pinch weld with factory installed weld nut:

Thread hex bolt into weld nut from the backside-down to clear paint from threads, **(Figure 2)**.

Flat tab on pinch weld with hole:

Select (1) 8mm Clip Nut. Slide the Clip Nut over the tab with the nut facing up behind the tab, **(Figures 3 & 4)**. Line up threaded nut with hole in the tab. Repeat for each mounting location.

Locate top mounting location on the back side of the body panel.

Models with factory installed threaded insert in body panel:

Thread 8mm Hex Bolt into threaded insert to clear paint as required, **(Figure 2)**.

Large and small hole in side of body panel:

Remove the rubber plug from the larger hole, **(Figures 1 & 3)**. Select (1) 8mm Clip Nut. Slide the Clip Nut into the larger hole. Line up the threaded nut with the smaller hole, **(Figure 4)**.

3. Select (1) Mounting Bracket. **NOTE:** (3) Brackets are universal and will fit both left side locations and the rear on the right side only. Bolt the Mounting Bracket to the Clip Nuts and/or the factory threaded holes with (2) 8mm Hex Bolts, (2) 8mm Lock Washers and (2) 8mm Flat Washers, **(Figures 5, 6 & 9)**. Snug but do not fully tighten the hardware.
4. Repeat **Steps 1—3** to install the remaining driver side Bracket, **(Figures 6 & 9)**.

5. Select (1) Running Board. Place the Running Board on top of the Brackets. Locate the channels in the bottom of the Running Board. Select (2) 6mm Double Bolt Plates, **(Figure 7)**. Insert the Bolt Plates into the channels in the bottom of the Running Board closest to the Brackets, **(Figure 8)**. Lift the Running Board up and guide the studs through the Brackets.
6. Attach the Running Board to the Brackets with (4) 6mm Flat Washers, (4) 6mm Lock Washers and (4) 6mm Hex Nuts, **(Figures 9 & 18)**. **NOTE:** The Running Board is designed to fit close to the vehicle. It may be necessary to loosen the Bracket hardware and tilt the Brackets downward to insert the Running Board between the Brackets and the body. Do not tighten hardware at this time.
7. Level and adjust the Running Board and fully tighten all hardware.
8. Move to the passenger side of the vehicle. On the passenger side, determine if the vehicle is equipped with a plastic diesel exhaust fluid (DEF) tank, **(Figures 10 & 11)**.

Models without DEF tank, skip to Step 9.

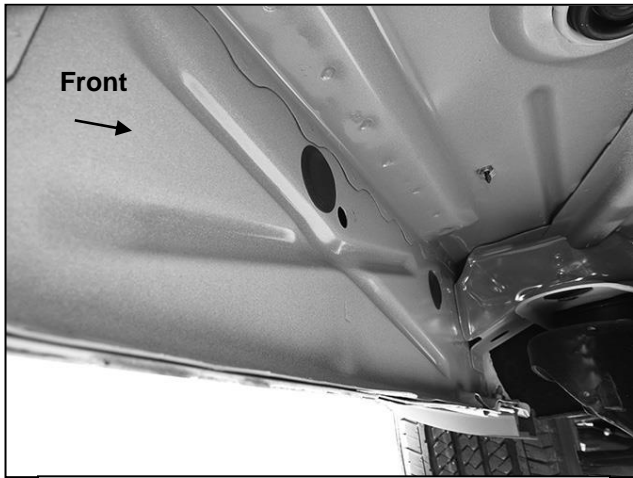
Models with DEF tank: The tank sits close to the side of the body. With specialized tools, the passenger front upper and lower Bracket can be installed but room is limited. It may be easier to drop the tank down to access the inner side of the body panel for upper bracket installation. Tank will not need to be removed, only dropped down for access to mounting location. **IMPORTANT:** If tank is full, it will be very heavy and assistance is highly recommended to avoid injury or damage to the vehicle or the tank. It is recommended that installation is performed when the DEF tank is low on fluid before dropping the tank.

- a. On models with plastic lower tray under the tank, remove the (3) hex bolts attaching the tray to the frame, **(Figure 10)**, and remove the tray.
 - b. Release the tank filler hose. Release the plug for the sending unit on the top of the tank.
 - c. Support the tank with a floor jack. Place a smooth flat surface, (wooden block for example), between the floor jack and the tank to avoid damaging the plastic tank. Do not push up on the tank; only support the weight of the tank with the jack.
 - d. Remove the (2) bolts securing the tank straps to the vehicle, **(Figure 11)**. Tilt the straps to release from the brackets. Slowly lower the tank until the top of the tank is almost visible. Use blocks or stands to support the tank while installing the front Upper and Lower Brackets.
 - e. Proceed to **Step 9**.
9. Locate the first tab on the edge of the pinch weld, **(Figures 1—4, 13 & 15)**. Select the Upper Bracket, **(Figure 12)**. Repeat **Steps 2 & 3** to attach the passenger front Upper Bracket to the side of the body panel, **(Figure 13)**. Do not tighten hardware at this time.
 10. Line up the hole in the bottom of the Upper Bracket with the hole in the tab on the pinch weld.
 - a. **Models with a weld-nut:** Slide the Bracket over the weld-nut, **(Figure 13)**. Attach the Lower Bracket to the bottom of the body and weld-nut with (1) 8mm x 25mm Hex Bolt, (1) 8mm Lock Washer and (1) 8mm Flat Washer, **(Figures 16—18)**. Leave loose at this time.
 - b. **Models with flat tab and hole:** Insert the 8mm Bolt Plate down through the hole in the Upper Bracket and mounting tab, **(Figures 14 & 15)**. Attach the Lower Bracket to the bottom of the body and Bolt Plate with (1) 8mm Flat Washer and (1) 8mm Nylon Lock Nut, **(Figures 16—18)**. Leave loose at this time.
 11. Line up the side tab on the Lower Bracket with the threaded hole in the side of the Upper Bracket. Attach the Lower Bracket to the Upper Bracket with (1) 8mm x 25mm Hex Bolt, (1) 8mm Lock Washer and (1) 8mm Flat Washer, **(Figures 17 & 18)**. Leave loose at this time.
 12. Repeat **Steps 1—3** for the remaining passenger side rear Bracket installation. **NOTE:** Cradles on Brackets installed on passenger side will face forward.
 13. Repeat **Steps 5—7** to install the passenger side Running Board, **(Figure 18)**.
 14. Once the Running Board has been installed and all hardware fully tightened, reinstall the DEF tank and cover, if equipped, as described in **Step 8**.
 15. Do periodic inspections to the installation to make sure that all hardware is secure and tight.

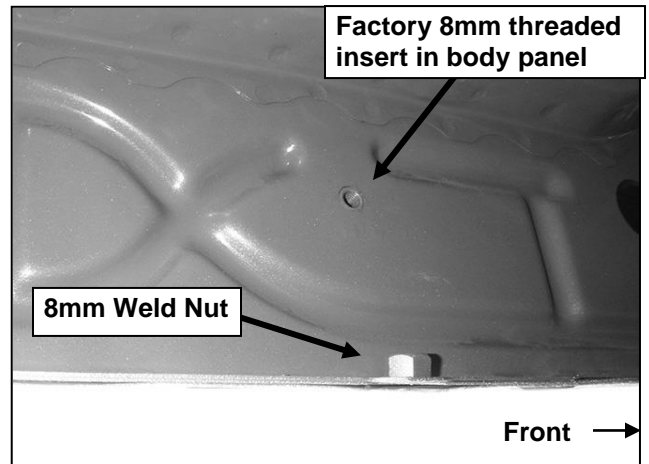
To protect your investment, wax this product after installing. Regular waxing is recommended to add a protective layer over the finish. Do not use any type of polish or wax that may contain abrasives that could damage the finish.

Aluminum polish may be used to polish small scratches and scuffs on the finish. Mild soap may be used also to clean the Running Board.

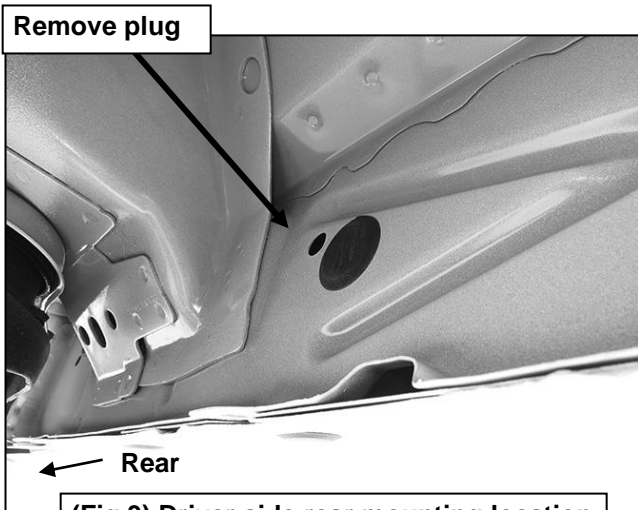
Driver/Left Side Installation Pictured



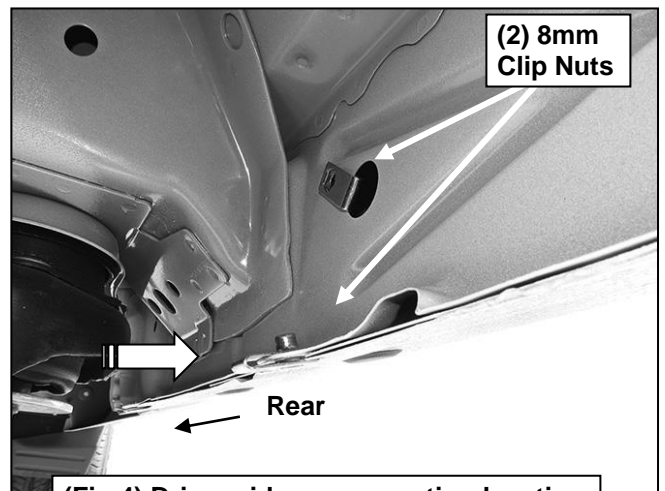
(Fig 1) Driver side front mounting location



(Fig 2) Example of passenger side front mounting location pictured with factory weld nuts

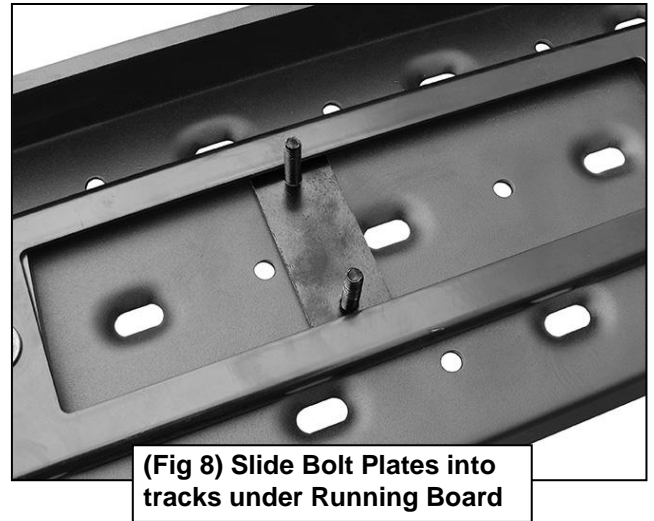
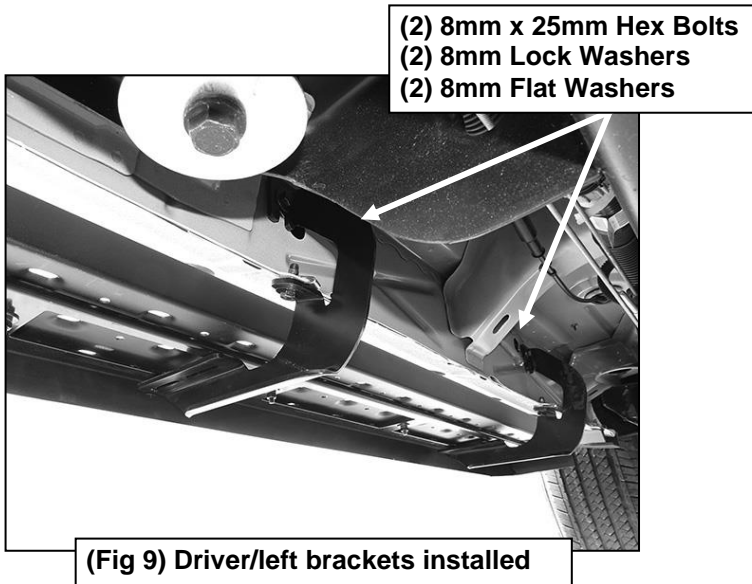
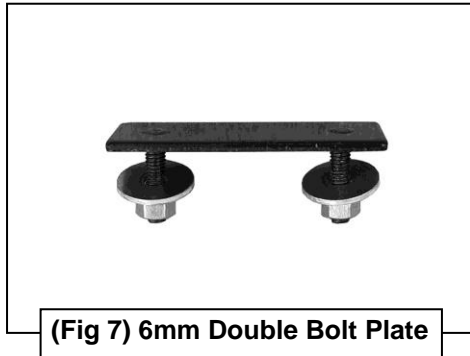
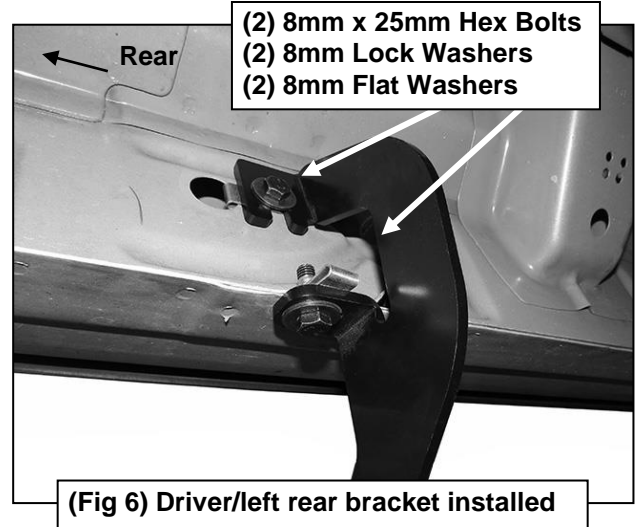
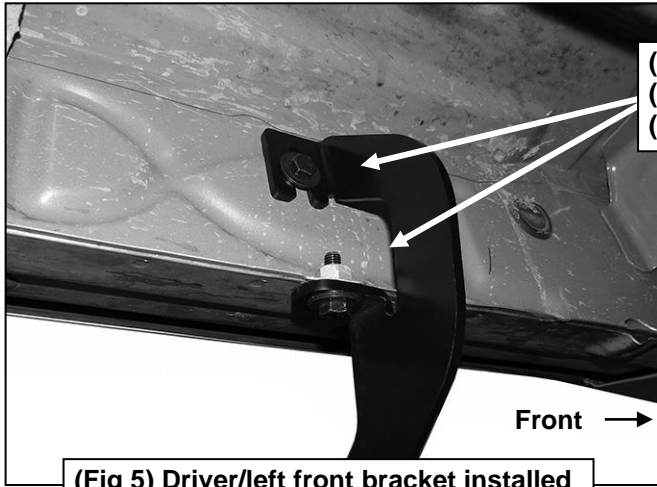


(Fig 3) Driver side rear mounting location

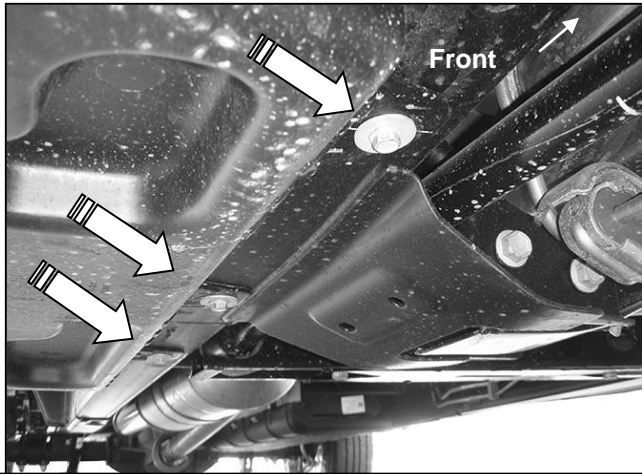


(Fig 4) Driver side rear mounting location

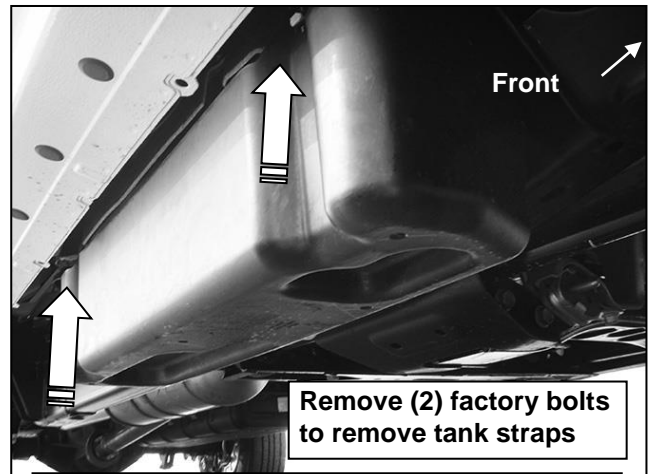
Driver/Left Side Installation Pictured



Passenger side installation pictured

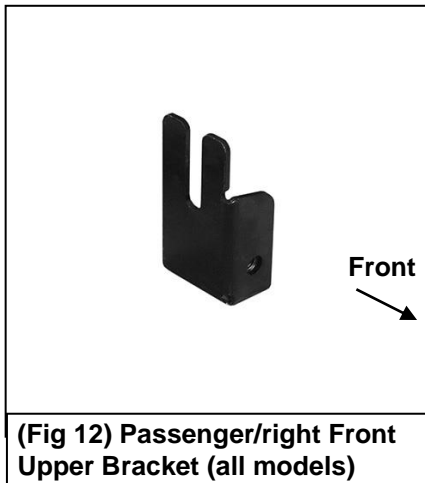


(Fig 10) Passenger side front pictured with DEF tank cover. Remove (3) hex bolts to remove cover



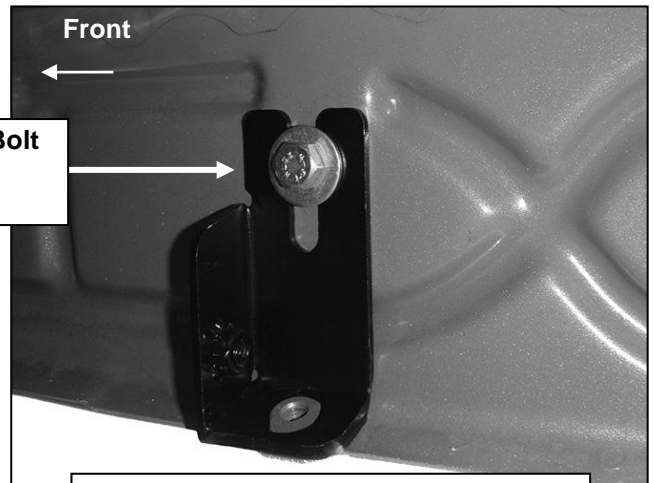
Remove (2) factory bolts to remove tank straps

(Fig 11) Passenger side DEF tank and cover



(Fig 12) Passenger/right Front Upper Bracket (all models)

**8mm x 25mm Hex Bolt
8mm Lock Washer
8mm Flat Washer**



(Fig 13) Slide Upper Bracket over weld nut if equipped-also see Figure 2

On models with flat tab (see Fig.1, 3 & 4), insert 8mm Bolt Plate (Fig 14) down through Upper Bracket and mounting tab



(Fig 14) 8mm x 35mm Bolt Plate

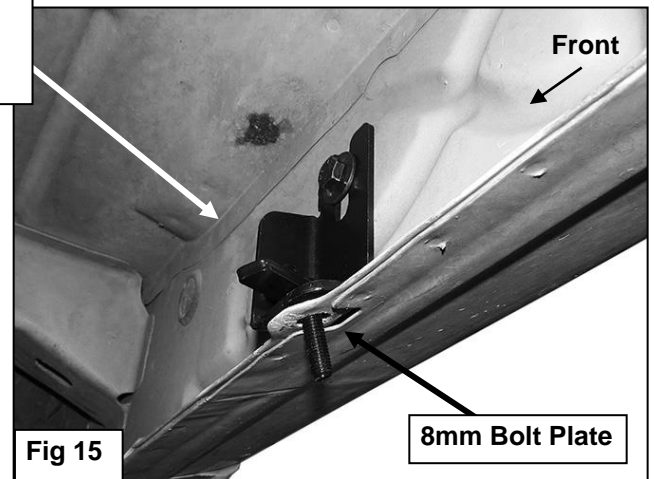
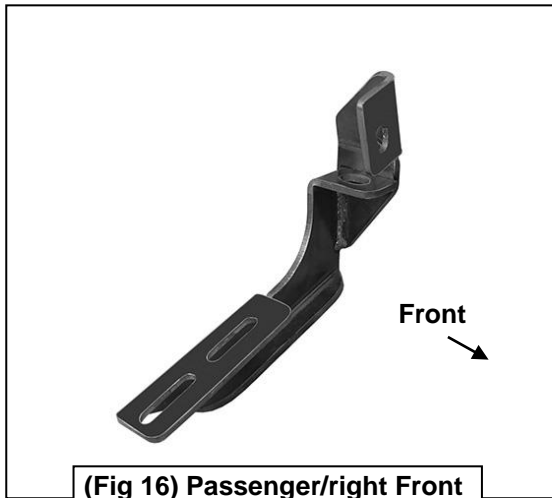


Fig 15

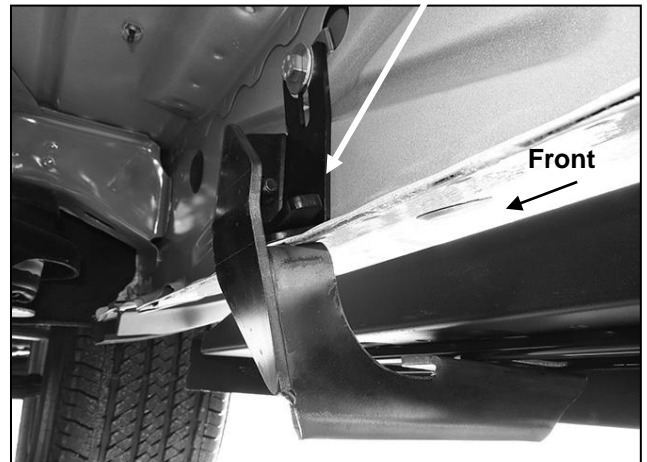
8mm Bolt Plate

Passenger side installation pictured



(Fig 16) Passenger/right Front Lower Bracket (all models)

On models with flat tab and 8mm Bolt Plate (see Fig. 15) use:
8mm Flat Washer
8mm Nylon Lock Nut
to attach Lower Bracket to Bolt Plate



(Fig 17) Passenger/right front Bracket installation

All models use:
8mm x 25mm Hex Bolt
8mm Lock Washer
8mm Flat Washer

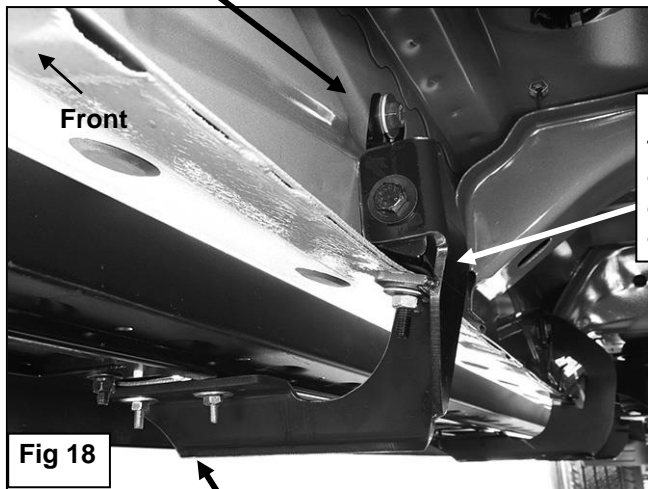


Fig 18

Models with weld nut on tab (see Fig. 13) use:
8mm x 25mm Hex Bolt
8mm Lock Washer
8mm Flat Washer

(2) 6mm Flat Washers
(2) 6mm Lock Washers
(2) 6mm Hex Nuts



Complete Installation