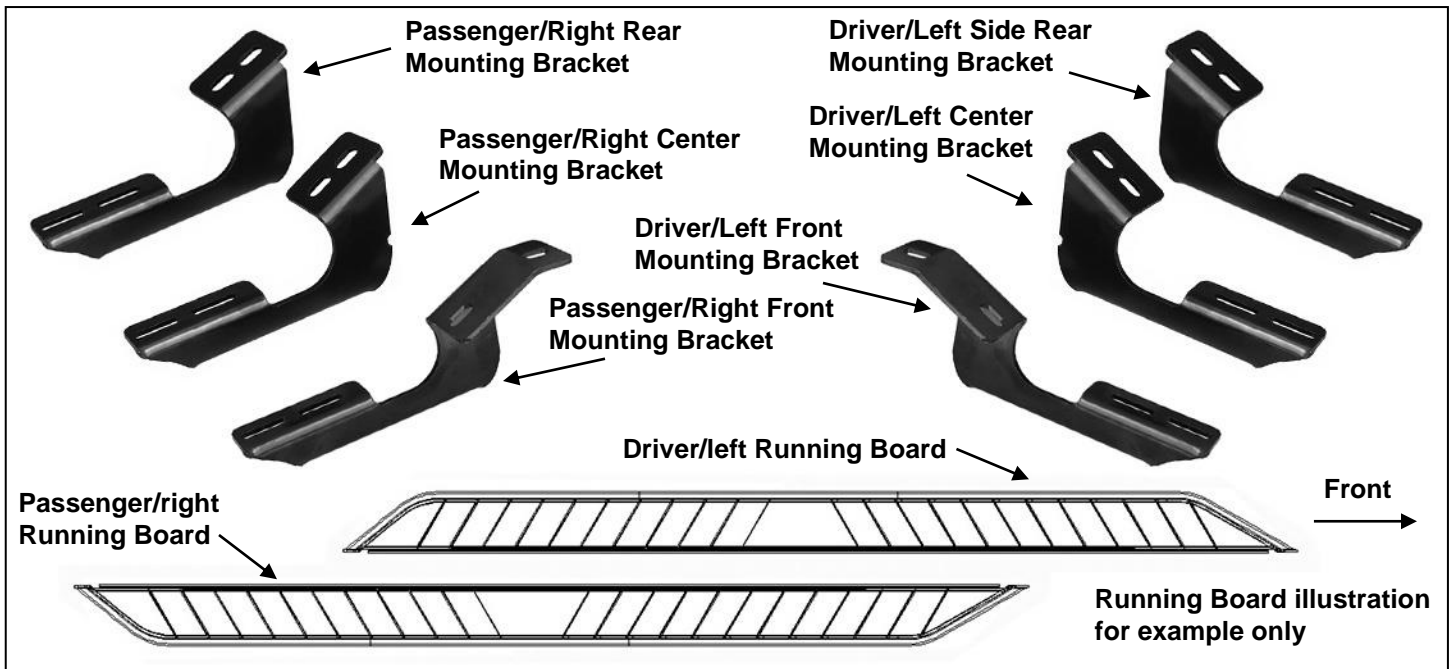


**STX300 RUNNING BOARD BRACKET KIT
07-14 TUNDRA DOUBLE CAB AND CREW MAX**

PARTS LIST:

Qty	Description	Qty	Description
1	Driver/Left Front Mounting Bracket	12	8-1.25 x 25mm Hex Bolt
1	Passenger/Right Front Mounting Bracket	12	8mm Lock Washers
1	Driver/Left Middle Mounting Bracket	12	8mm x 28mm OD x 3mm Flat Washers
1	Passenger/Right Middle Mounting Bracket	12	6mm T-Bolts
1	Driver/Left Rear Mounting Bracket	12	6mm Lock Washers
1	Passenger/Right Rear Mounting Bracket	12	6mm x 22mm OD x 2mm Flat Washers
		12	6mm Hex Nuts



PROCEDURE:

- 1. REMOVE CONTENTS FROM BOX. VERIFY ALL PARTS ARE PRESENT. READ INSTRUCTIONS CAREFULLY. USE ILLUSTRATION TO IDENTIFY BRACKETS AND RUNNING BOARDS.**
- Starting on the passenger side front of the vehicle, remove the plastic plugs or hex bolts covering the (2) threaded holes in the body panel, **(Figures 1 & 2)**. Select the passenger side front Mounting Bracket, **(Figure 3)**. Bolt the Bracket to the vehicle using the included (2) 8mm x 25mm Hex Bolts, (2) 8mm Lock Washers and (2) 8mm Flat Washers, **(Figure 4)**. Do not tighten hardware at this time.
- Next, select the passenger side center Mounting Bracket, **(with notch-Figure 5)**. **IMPORTANT:** The Center (with notch) and Rear Brackets look similar but each one is unique. Use the picture on **Page 1** and **Figure 5** to help identify each Bracket. Repeat **Step 2** to install the center Mounting Bracket, **(Figure 6)**. **NOTE:** The Tundra has (4) mounting locations along the bottom of the body. **Installation will use the 1st, 2nd and 4th** mounting locations only for the Running Board Brackets.
- Continue to the last mounting location at the back of the cab, **(Figure 7)**. Repeat **Step 2** to install the passenger side rear Bracket, **(Figure 8)**. When properly installed, the cradles for the Running Board will face toward the rear.
- Once all (3) Brackets have been fully installed, select the passenger side Running Board. **NOTE:** Angled end of Running Board is the front, **(see Page 1)**. Locate the two channels in the bottom of the Running Board. (3) 6mm T-Bolts are required for each channel. Slide T-Bolts into each channel and down into approximate position to match the Brackets, **(Figure 9)**.
- Carefully place the passenger side Running Board onto the Brackets.** Align the T-Bolts with the slots in the Brackets. Secure the Running Board to the Brackets with (6) 6mm Flat Washers, (6) 6mm Lock Washers and (6) 6mm Hex Nuts, **(Figures 4 & 10)**. Do not tighten hardware at this time. **NOTE:** The

STX300 RUNNING BOARD BRACKET KIT 07-14 TUNDRA DOUBLE CAB AND CREW MAX

Running Board is designed to fit close to the vehicle. It may be necessary to loosen the Bracket hardware and tilt the Brackets downward to insert between the Brackets and the body.

7. Level and adjust the Running Board and starting with the front Bracket, tighten all hardware. **NOTE:** On the front Brackets only, hold the Bracket tight against both mounting surfaces as you tighten the Hex Bolts. Evenly tighten the (2) 8mm Hex Bolts on all Brackets.
8. Repeat **Steps 2—7** for driver side Running Board installation.
9. Do periodic inspections to the installation to make sure that all hardware is secure and tight.

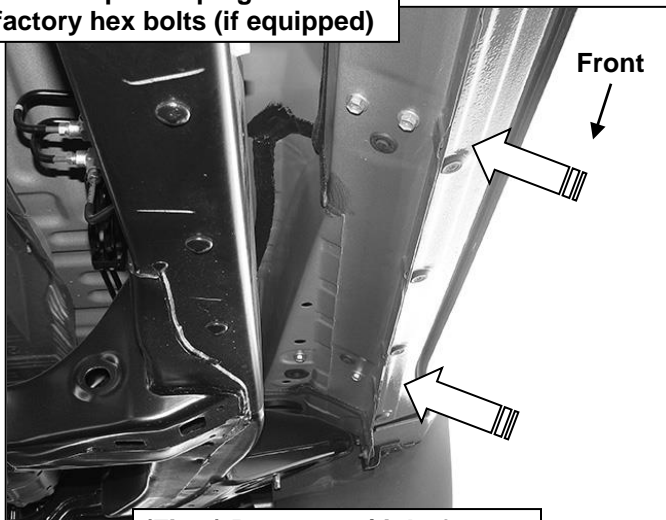
To protect your investment, wax this product after installing. Regular waxing is recommended to add a protective layer over the finish. Do not use any type of polish or wax that may contain abrasives that could damage the finish.

For stainless steel: Aluminum polish may be used to polish small scratches and scuffs on the finish. Mild soap may be used also to clean the Running Board.

For gloss black finishes: Mild soap may be used to clean the Running Board.

Passenger Side Installation Pictured

Remove plastic plugs or factory hex bolts (if equipped)



(Fig 1) Passenger/right front and center mounting location

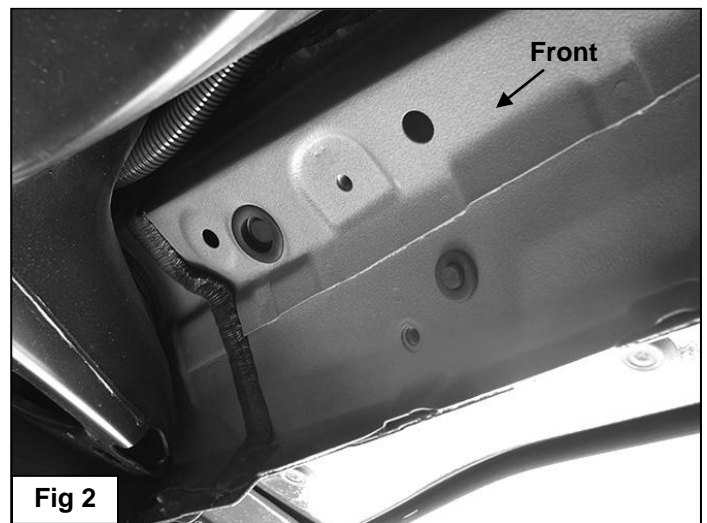
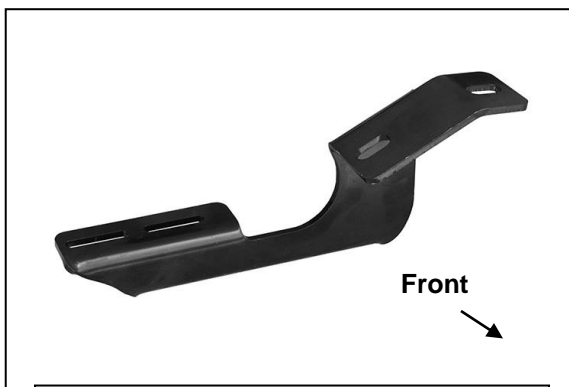


Fig 2

- (2) 8mm Hex Bolts
- (2) 8mm Lock Washers
- (2) 8mm Flat Washers



(Fig 3) Passenger/right front Bracket



(Fig 4) Passenger/right front Bracket pictured with Running Board

**STX300 RUNNING BOARD BRACKET KIT
07-14 TUNDRA DOUBLE CAB AND CREW MAX**

Passenger Side Installation Pictured

