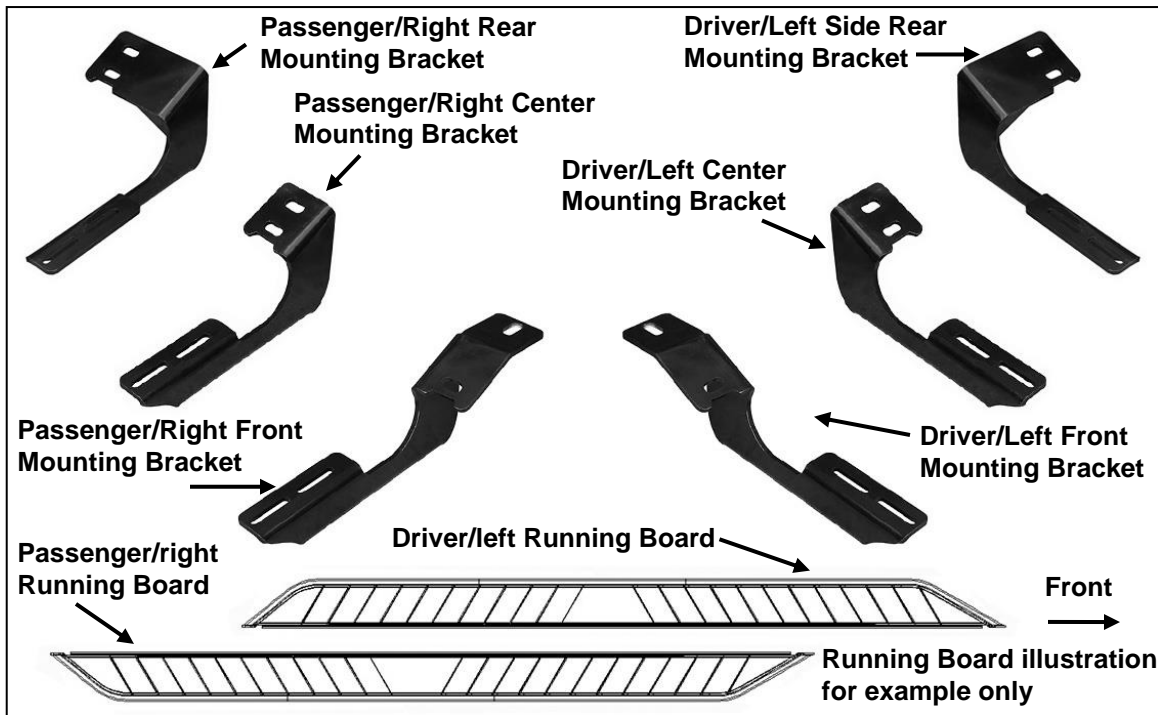


**STX300 RUNNING BOARD BRACKET KIT
05-14 TACOMA DOUBLE CAB**

PARTS LIST:

Qty	Description	Qty	Description
1	Driver/Left Front Mounting Bracket	12	8-1.25 x 25mm Hex Bolt
1	Passenger/Right Front Mounting Bracket	12	8mm x 24mm OD x 2mm Flat Washers
1	Driver/Left Middle Mounting Bracket	12	8mm Lock Washers
1	Passenger/Right Middle Mounting Bracket	12	6mm T-Bolts
1	Driver/Left Rear Mounting Bracket	12	6mm x 22mm OD x 2mm Flat Washers
1	Passenger/Right Rear Mounting Bracket	12	6mm Lock Washers
		12	6mm Hex Nuts



PROCEDURE:

- 1. REMOVE CONTENTS FROM BOX. VERIFY ALL PARTS ARE PRESENT. READ INSTRUCTIONS CAREFULLY. USE ILLUSTRATION TO IDENTIFY BRACKETS AND RUNNING BOARDS.**
- Starting on the driver side front of the vehicle, remove the plastic plugs, (or hex bolts), covering the threaded holes in the body panel, **(Figure 1)**. Select the driver side front Mounting Bracket, **(Figure 2)**. Bolt the Bracket to the vehicle using the included (2) 8mm Hex Bolts, (2) 8mm Lock Washers and (2) 8mm Flat Washers, **(Figure 3)**. Do not tighten hardware at this time.
- Repeat **Step 2** to install the center Mounting Bracket, **(Figures 4 & 5)**.
- Continue to the last mounting location at the back of the cab. Repeat **Step 2** to install the driver side rear Bracket, **(Figures 6—8)**. Do not tighten hardware at this time.
- Once all (3) Brackets have been fully installed, select the driver side Running Board. **NOTE:** Angled end of Running Board is the front, **(see Page 1)**. Locate the two channels in the bottom of the Running Board. (3) 6mm T-Bolts are required for each channel, **(Figure 9)**.
- Carefully place the driver side Running Board onto the Brackets. Align the (6) T-Bolts with the slots in the Brackets. Secure the Running Board to the Brackets with (6) 6mm Flat Washers, (6) 6mm Lock Washers and (6) 6mm Hex Nuts, **(Figure 10)**. Do not tighten hardware at this time. **NOTE:** The Running Board is designed to fit close to the vehicle. It may be necessary to loosen the Bracket hardware and tilt the Brackets downward to insert Board between the Brackets and the body.
- Level and adjust the Running Board and tighten all hardware.
- Repeat **Steps 2—7** for passenger side Running Board installation.
- Do periodic inspections to the installation to make sure that all hardware is secure and tight.

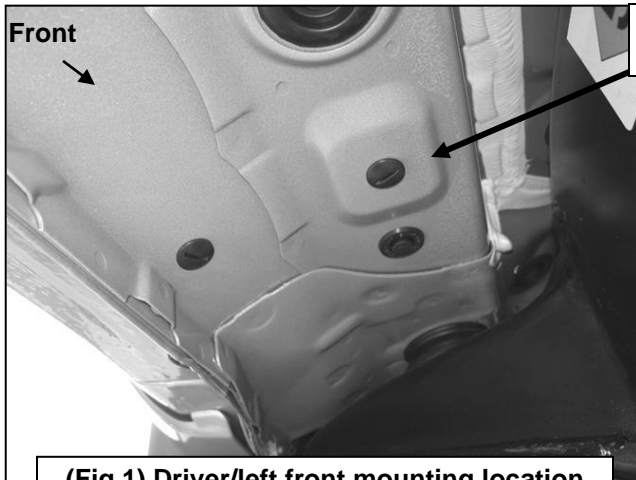
STX300 RUNNING BOARD BRACKET KIT 05-14 TACOMA DOUBLE CAB

To protect your investment, wax this product after installing. Regular waxing is recommended to add a protective layer over the finish. Do not use any type of polish or wax that may contain abrasives that could damage the finish.

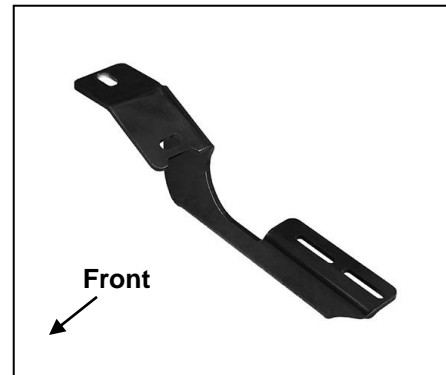
For stainless steel: Aluminum polish may be used to polish small scratches and scuffs on the finish. Mild soap may be used also to clean the Running Board.

For gloss black finishes: Mild soap may be used to clean the Running Board.

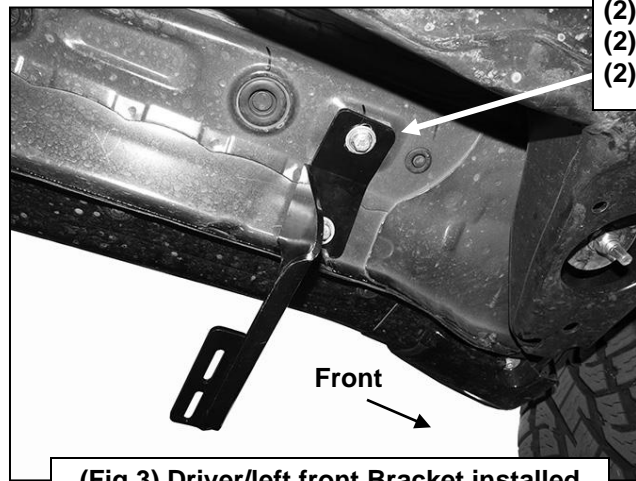
Driver Side Installation Pictured



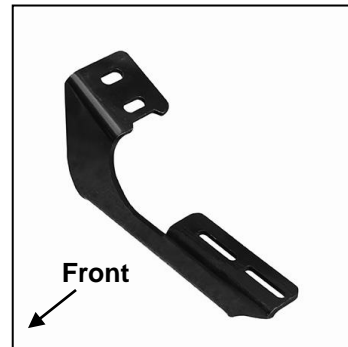
(Fig 1) Driver/left front mounting location



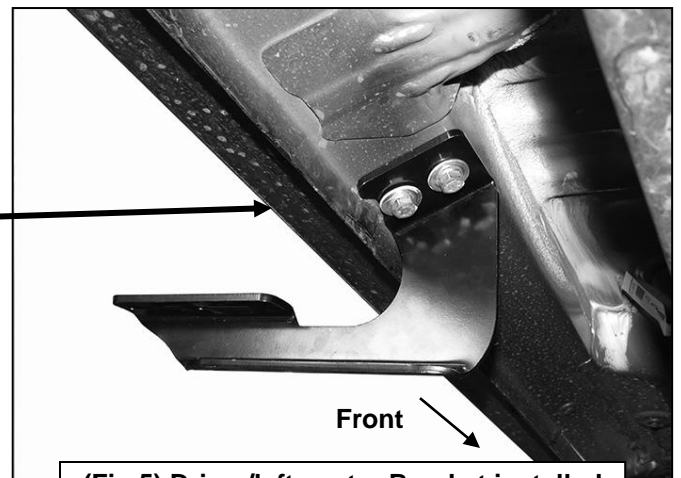
(Fig 2) Driver/left front Bracket



(Fig 3) Driver/left front Bracket installed



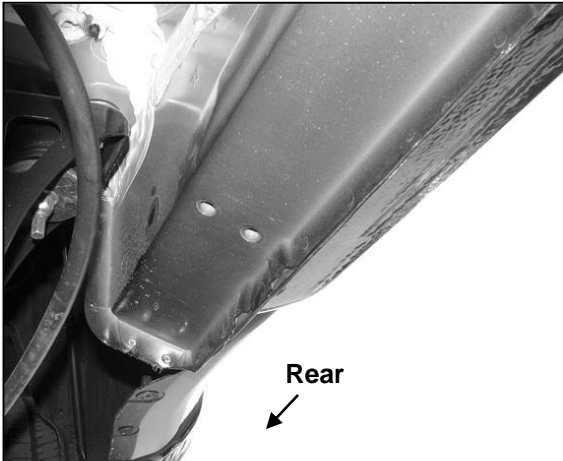
(Fig 4) Driver/left center Bracket



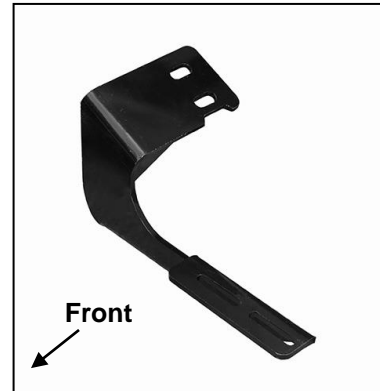
(Fig 5) Driver/left center Bracket installed

**STX300 RUNNING BOARD BRACKET KIT
05-14 TACOMA DOUBLE CAB**

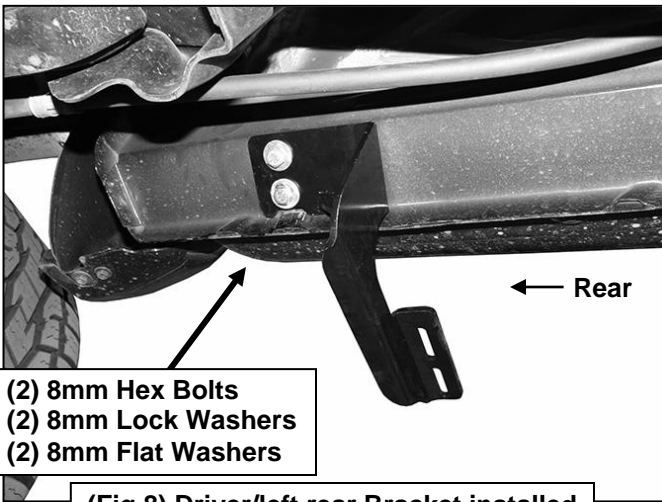
Driver Side Installation Pictured



(Fig 6) Driver/left rear mounting location

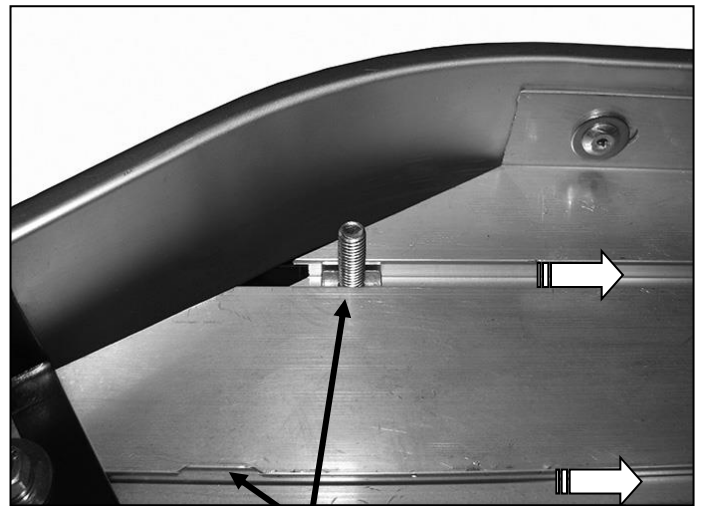


(Fig 7) Driver/left rear Bracket

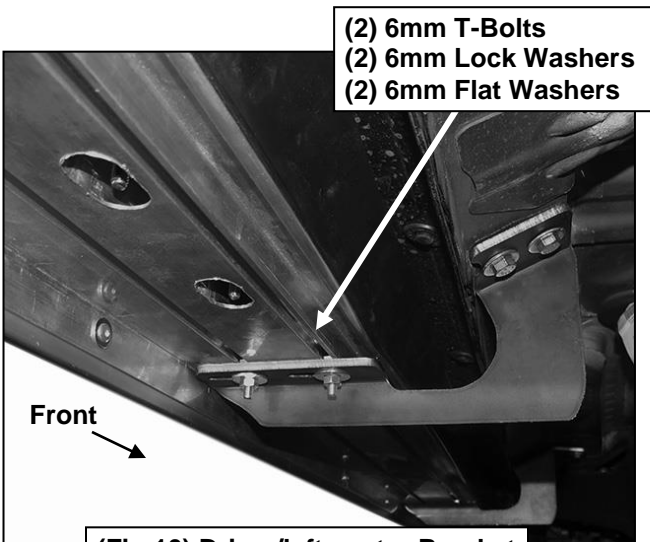


- (2) 8mm Hex Bolts
- (2) 8mm Lock Washers
- (2) 8mm Flat Washers

(Fig 8) Driver/left rear Bracket installed



(Fig 9) Slide (3) T-Bolts into each channel



- (2) 6mm T-Bolts
- (2) 6mm Lock Washers
- (2) 6mm Flat Washers

(Fig 10) Driver/left center Bracket



Complete Installation