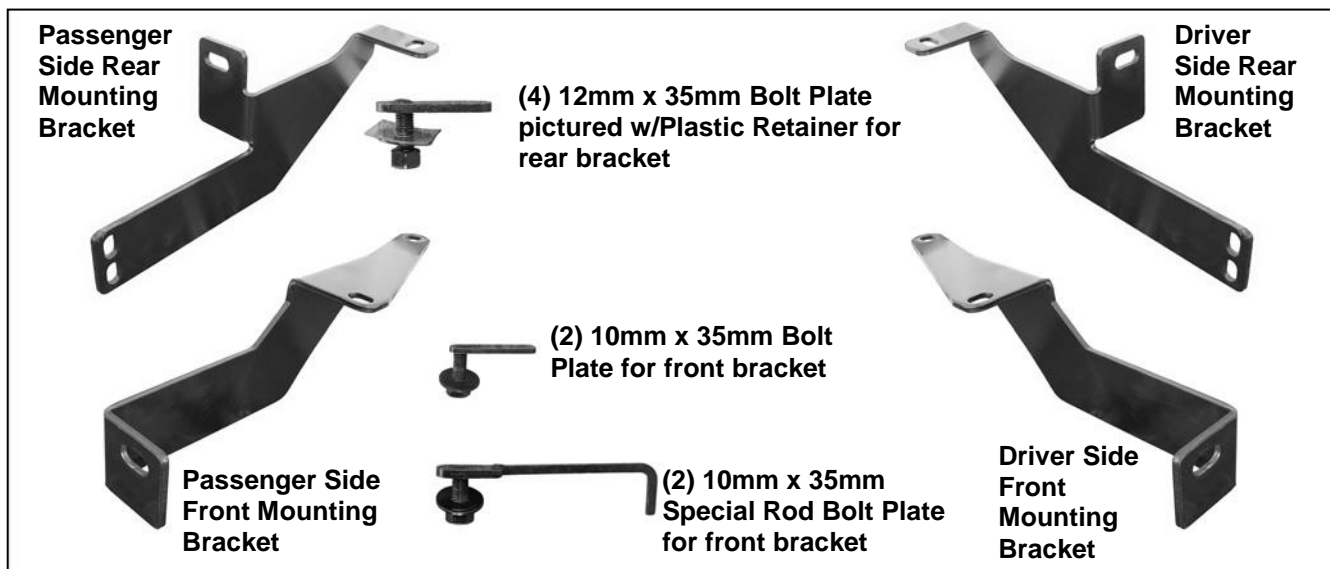


**PARTS LIST:**

1	Driver/Left Sidebar	2	1/2-13" x 2" Hex Bolts
1	Passenger/Right Sidebar	2	1/2" Lock Washers
1	Driver/Left Front Mounting Bracket	2	1/2" x 1-1/2" OD x 1/8" Flat Washers
1	Passenger/Right Front Mounting Bracket	4	12mm x 32mm OD x 3mm Flat Washers
1	Driver/Left Rear Mounting Bracket	4	12mm Lock Washers
1	Passenger/Right Rear Mounting Bracket	4	12mm Hex Nuts
4	12-1.75mm x 35mm Bolt Plates	4	10-1.5mm x 30mm Hex Bolts
2	10-1.5mm x 35mm Special Rod Bolt Plates	8	10mm Lock Washers
2	10-1.5mm x 35mm Bolt Plates	4	10mm x 30mm OD x 2.5mm Flat Washers
2	12mm Plastic Retainers	8	10mm x 20mm OD x 2mm Flat Washers
		8	10mm Hex Nuts



**PROCEDURE:**

- 1. REMOVE CONTENTS FROM BOX. VERIFY ALL PARTS ARE PRESENT. READ INSTRUCTIONS CAREFULLY BEFORE STARTING INSTALLATION.**
- Starting at the front, passenger side of the vehicle, locate and remove the (2) rubber plugs in the floor panel, **(Figure 1)**.
- Insert the long 10mm x 35mm Rod Bolt, **(Figure 2A)**, into the oval hole and out the smaller round hole, **(Figure 2B)**. Select (1) 10mm Bolt Plate, **(Figure 3A)**, and insert it into the remaining round hole, **(Figure 3B)**. Locate the Passenger Side Front Frame Bracket. Hang the bracket from the (2) Bolt Plates with the supplied (2) 10mm x 30mm x 2.5mm Large Flat Washers, (2) 10mm Lock Washers and (2) 10mm Hex Nuts, **(Figure 4)**. Snug but do not tighten hardware at this time.
- Moving toward the rear of the vehicle, locate and remove the round rubber plug on the inner body panel pictured in **Figure 5**. Thread (1) Plastic Retainer part way down (1) 12mm Bolt Plate, **(Figure 6A)**. Insert the Bolt Plate into the round hole in the body panel, **(Figure 6B)**. **IMPORTANT:** The Plastic Retainer is designed to prevent the Bolt Plate from falling into the body panel during bracket installation, **(Figure 6A & 6B)**.

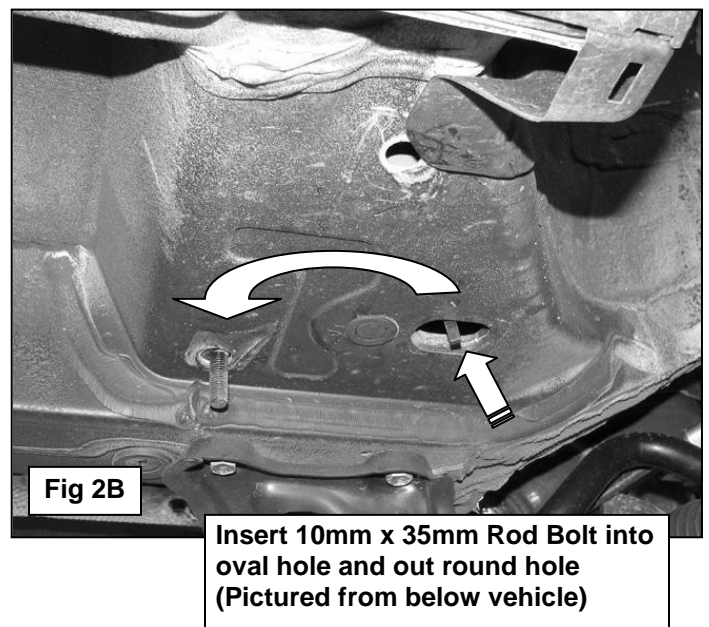
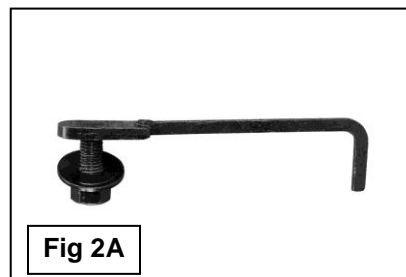
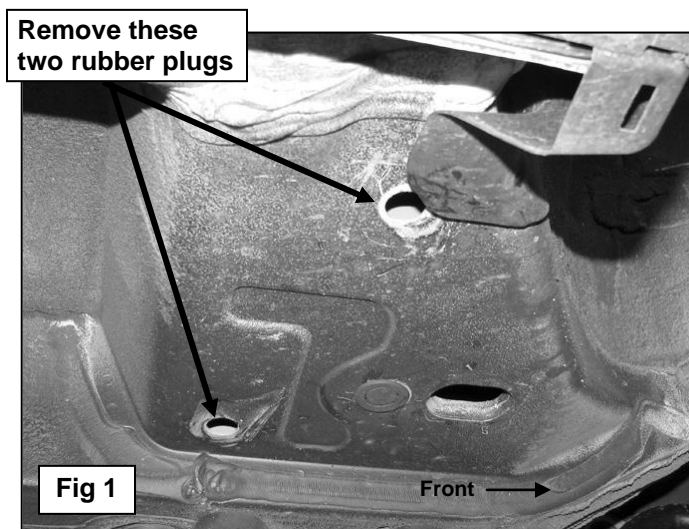
5. Next, insert (1) 12mm x 35mm Bolt Plate into the oval hole in the bottom of the frame channel, **(Figure 7)**. Position the passenger side Rear Frame Bracket up to the vehicle and partially attach the Bracket to the Bolt Plates inserted into the body panel. Secure using the included (2) 12mm Flat Washers, (2) 12mm Lock Washers and (2) 12mm Hex Nuts, **(Figure 8)**. Snug but do not tighten hardware at this time.
6. Position the front of the passenger Sidebar up to Mounting Bracket and attach it using the included (1) 1/2" x 2" Hex Bolt, (1) 1/2" Lock Washer and (1) 1/2" Flat Washer, **(Figure 9)**. Leave loose. Next, lift the Sidebar up to the rear Mounting Bracket and line up the (2) mounting holes. Bolt the Sidebar to the Bracket with (2) 10mm x 30mm Hex Bolts, (4) 10mm x 20mm OD x 2mm Flat Washers, (2) 10mm Lock Washers and (2) 10mm Hex Nuts, **(Figure 8)**. Snug but do not tighten hardware at this time.
7. Level and adjust Sidebar properly and tighten all hardware.
8. Repeat steps 2 - 7 for driver Sidebar installation.
9. Do periodic inspections of the installation to make sure that all hardware is secure and tight.

**To protect your investment**, wax this product after installing. Regular waxing is recommended to add a protective layer over the finish. Do not use any type of polish or wax that may contain abrasives that could damage the finish.

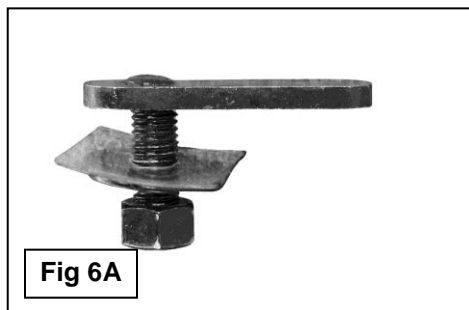
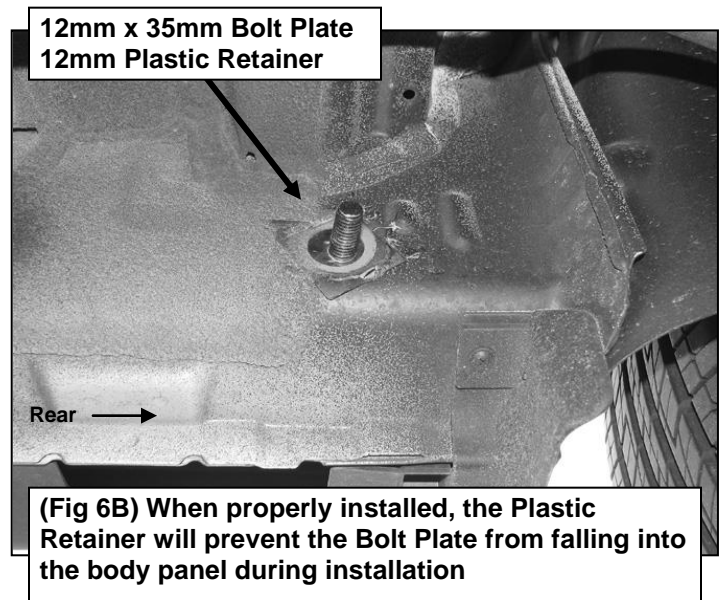
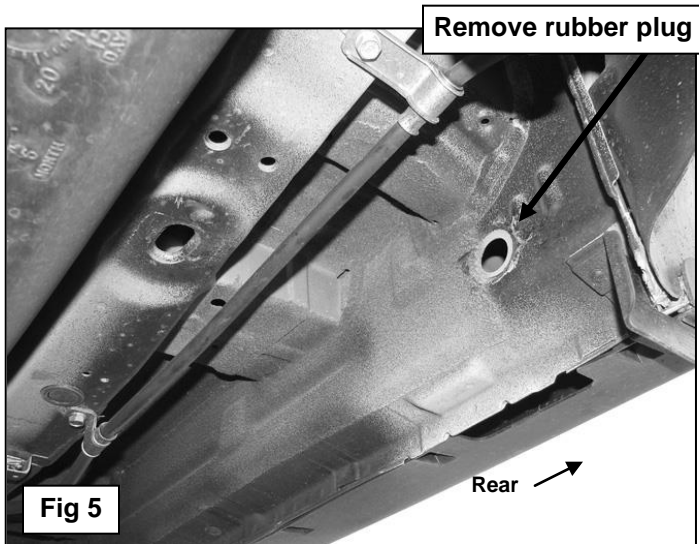
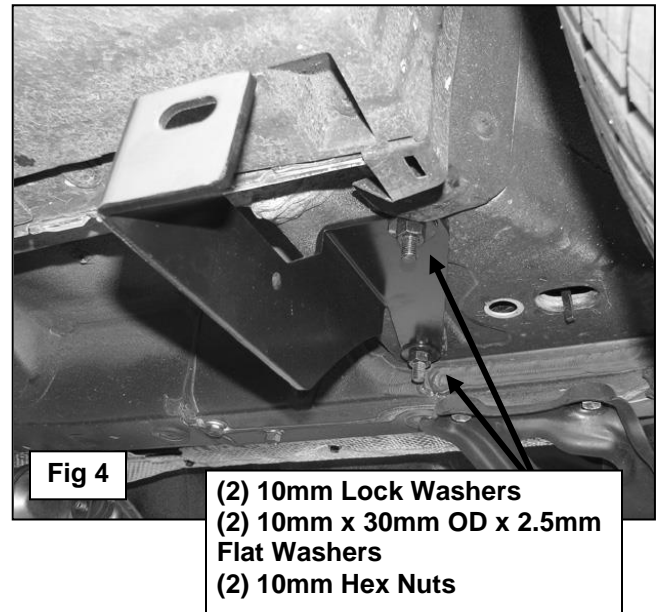
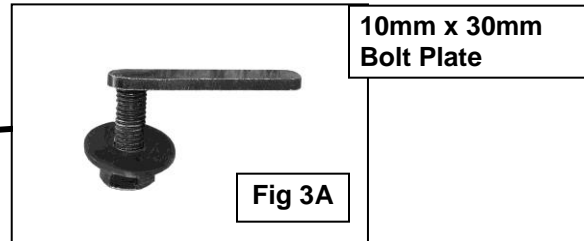
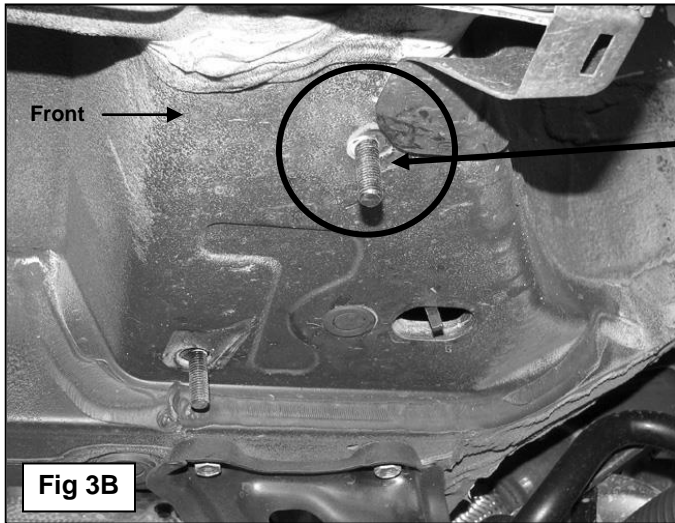
**For stainless steel:** Aluminum polish may be used to polish small scratches and scuffs on the finish. Mild soap may be used also to clean the Sidebar.

**For gloss black finishes:** Mild soap may be used to clean the Sidebar.

### *Passenger Side Installation Pictured*



**Passenger Side Installation Pictured**



**Passenger Side Installation Pictured**

