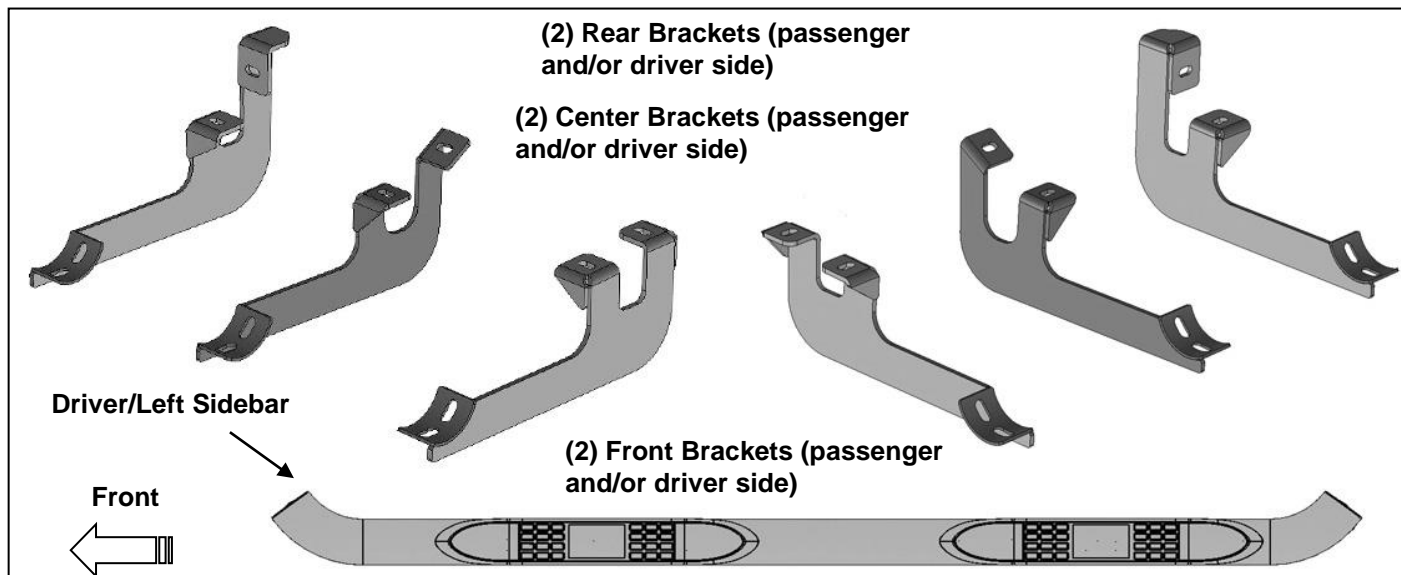


INSTALLATION INSTRUCTIONS
3" SIDEBAR
16-17 HONDA PILOT

PARTS LIST:

1	Driver/Left Sidebar	12	8mm x 25mm Hex Bolts
1	Passenger/Right Sidebar	12	8mm x 24mm x 2mm Flat Washers
2	Front Mounting Brackets (left or right)	12	8mm Lock Washers
2	Center Mounting Brackets (left or right)	12	8mm Combo Hex Bolts w-washers
2	Rear Mounting Brackets (left or right)		



PROCEDURE:

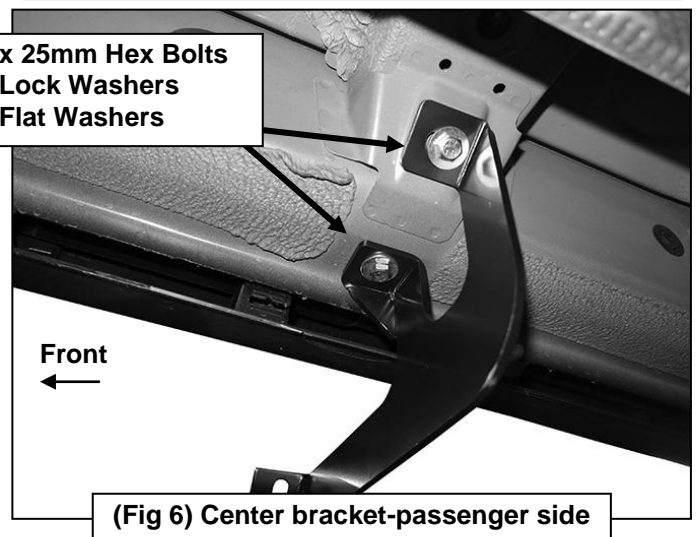
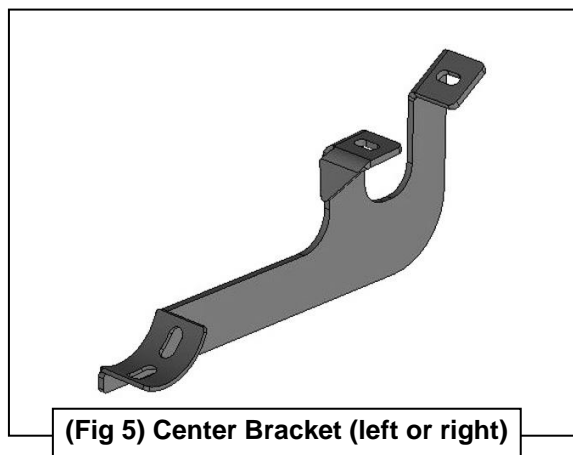
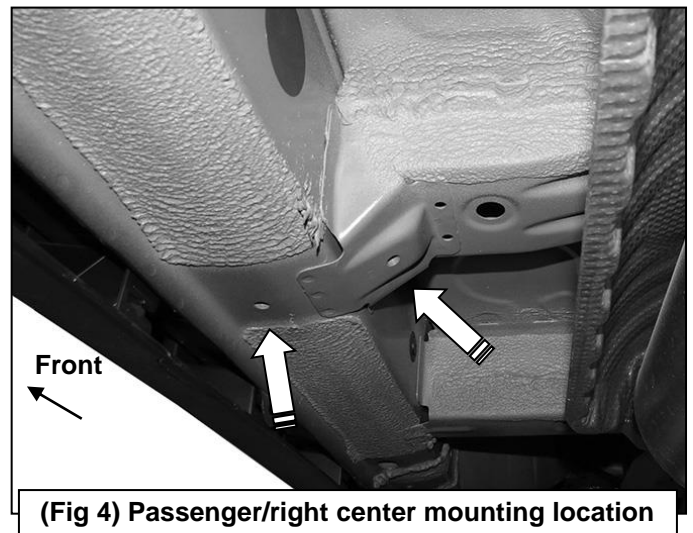
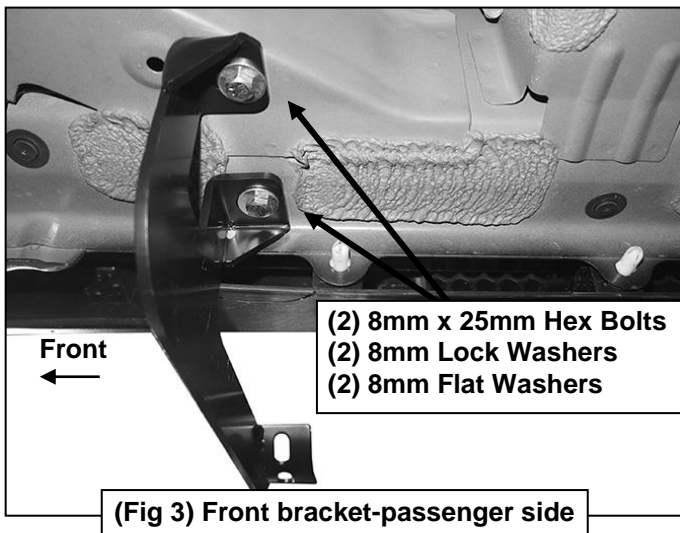
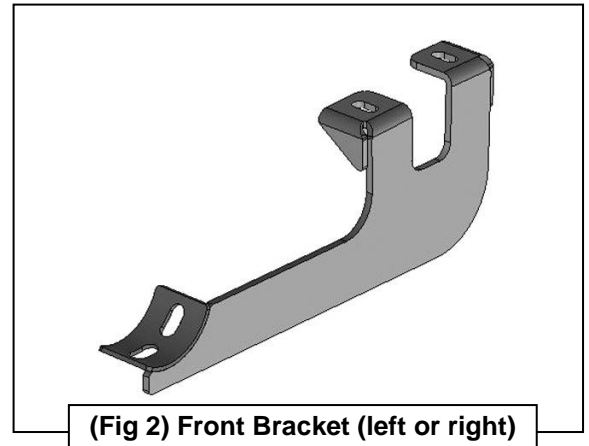
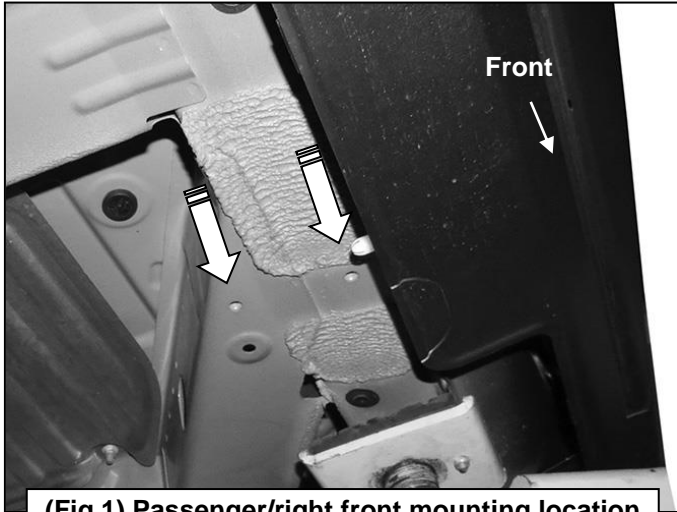
- 1. REMOVE CONTENTS FROM BOX. VERIFY ALL PARTS ARE PRESENT. READ INSTRUCTIONS CAREFULLY BEFORE STARTING INSTALLATION.**
- Starting on the passenger side front of the vehicle, locate the two factory 8mm threaded holes located in the bottom of the floor panel, **(Figure 1)**. **NOTE:** Brackets install in the factory running board mounting locations. Threaded holes may be covered with insulation. Clean mounting locations as required for proper Bracket installation.
- Select (1) Front Mounting Bracket, **(Figure 2)**. **NOTE:** Brackets will fit left or right side. Attach the Bracket to the two threaded holes with (2) 8mm x 25mm Hex Bolts, (2) 8mm Lock Washers and (2) 8mm Flat Washers, **(Figure 3)**. Snug but do not tighten hardware at this time.
- Move to the center of the vehicle. Locate the two threaded holes in the bottom of the floor panel and body support panel, **(Figure 4)**. Repeat **Steps 2 & 3** to attach (1) Center Bracket, **(Figures 5 & 6)**.
- Next, move to the passenger/right rear of the vehicle. Locate the holes in the bottom and inner side of the floor panel, **(Figure 7)**. Repeat **Steps 2 & 3** to install (1) Rear Bracket, **(Figures 8 & 9)**.
- Carefully position the passenger Sidebar onto the Mounting Brackets. **IMPORTANT:** Do not slide, (front to back or rotate), the Sidebar on the Brackets or damage to the finish may result. Attach the Sidebar to the Mounting Brackets with the included (6) 8mm x 25mm Combination Hex Bolts, **(Figure 10)**. Do not tighten hardware at this time.
- Align the Sidebar properly and tighten all hardware.
- Repeat **Steps 2—7** for the driver/left Sidebar installation.
- Do periodic inspections to the installation to make sure that all hardware is secure and tight.

To protect your investment, wax this product after installing. Regular waxing is recommended to add a protective layer over the finish. Do not use any type of polish or wax that may contain abrasives that could damage the finish.

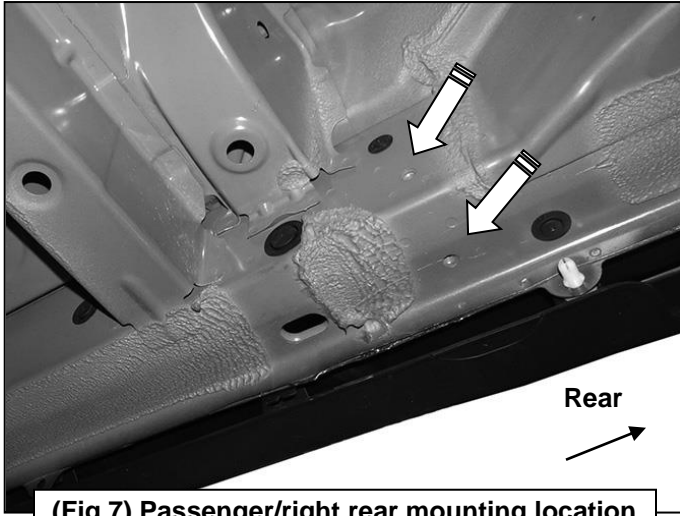
For stainless steel: Aluminum polish may be used to polish small scratches and scuffs on the finish. Mild soap may be used also to clean the Sidebar.

For gloss black finishes: Mild soap may be used to clean Sidebar.

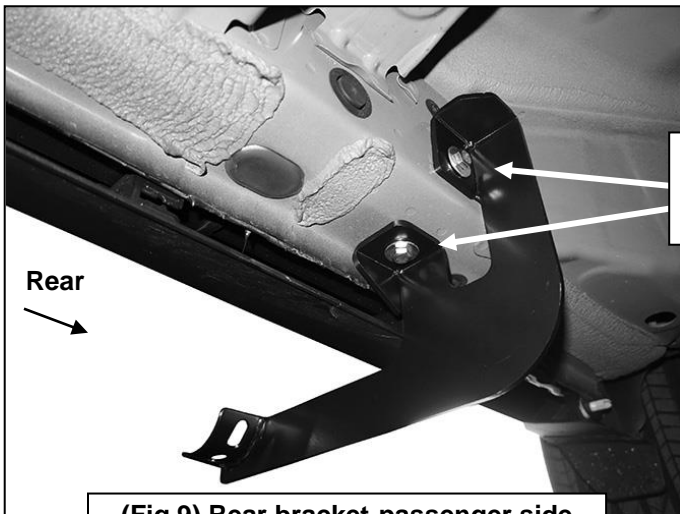
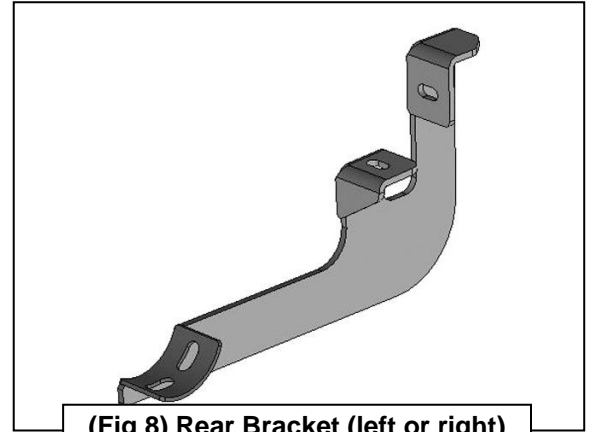
Passenger Side Installation Pictured



Passenger Side Installation Pictured



(Fig 7) Passenger/right rear mounting location



- (2) 8mm x 25mm Hex Bolts
- (2) 8mm Lock Washers
- (2) 8mm Flat Washers

(Fig 9) Rear bracket-passenger side

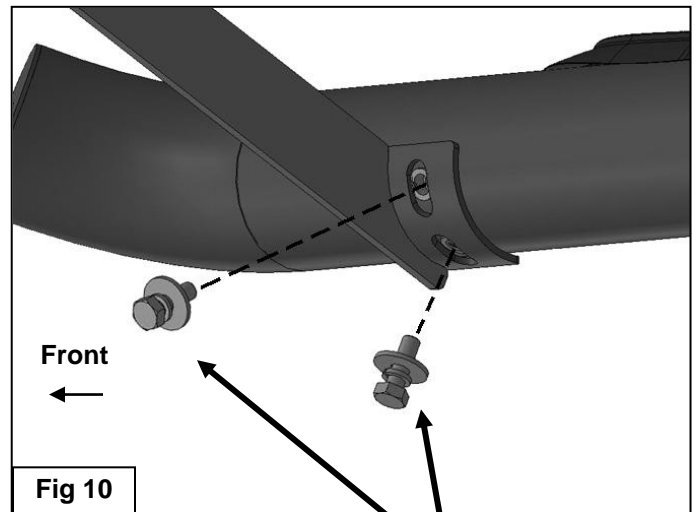


Fig 10

- (2) 8mm Combo Hex Bolts

