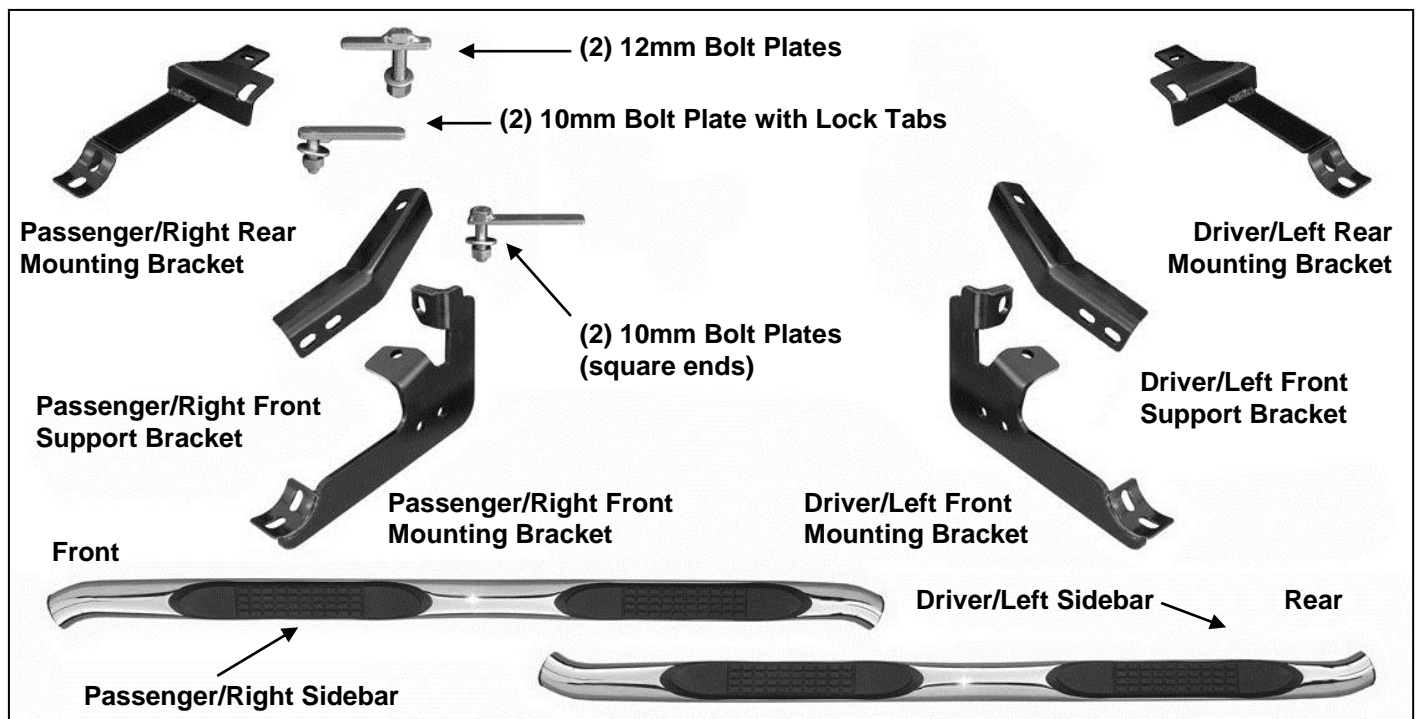


**PARTS LIST:**

1	Driver/Left Sidebar	2	12mm Lock Washers
1	Passenger/Right Sidebar	2	12mm x 24mm OD x 2.5mm Flat Washers
1	Driver/Left Front Mounting Bracket	2	12mm Hex Nuts
1	Passenger/Right Front Mounting Bracket	4	10mm x 35mm Hex Bolts
1	Driver/Left Front Support Bracket	12	10mm x 27mm OD x 3mm Flat Washers
1	Passenger/Right Front Support Bracket	8	10mm Lock Washers
1	Driver/Left Rear Mounting Bracket	8	10mm Hex Nuts
1	Passenger/Right Rear Mounting Bracket	12	8mm x 25mm Hex Bolts
2	12mm x 50mm Bolt Plates	12	8mm Lock Washers
2	10mm x 40mm Centered Bolt Plates (rounded end)	8	8mm x 24mm x 2mm Flat Washers
2	10mm x 40mm Bolt Plates (square end)	4	8mm x 28mm OD x 3mm Flat washers



**PROCEDURE:**

- 1. REMOVE CONTENTS FROM BOX. VERIFY ALL PARTS ARE PRESENT. READ INSTRUCTIONS CAREFULLY BEFORE STARTING INSTALLATION.**
- Starting on the passenger side front of the vehicle, locate the two factory 8mm threaded holes located on the bottom of the floor panel and side of the inner body panel, **(Figure 1)**. Select the passenger side Front Mounting Bracket. Attach the Bracket to the two threaded holes using the provided (2) 8mm x 25mm Hex Bolts, (2) 8mm Lock Washers and (2) 8mm x 28mm x 3mm Large Flat Washers. Snug but do not tighten hardware at this time, **(Figure 2)**.
- Select (1) 10mm Square End Bolt Plate, **(Figure 3)**. Insert the Bolt Plate into the factory hole in the bottom of the frame channel, **(Figure 4A)**. Rotate the Bolt Plate clock-wise 90-degrees or until it stops turning, **(Figure 4B)**. **NOTE:** To help determine the correct inner mounting hole on the frame to use, hold the Support Bracket up to the back of the Front Bracket with the inner end lined up with the hole in the bottom of the frame channel, **(Figures 5A & 5B)**.
- Bolt the Support Bracket to the back of the front Mounting Bracket with (2) 10mm x 35mm Hex Bolts, (4) 10mm Flat Washers, (2) 10mm Lock Washers and (2) 10mm Hex Nuts, **(Figure 5B)**. Next, hang

**SIDEBAR  
2009-13 HONDA PILOT**

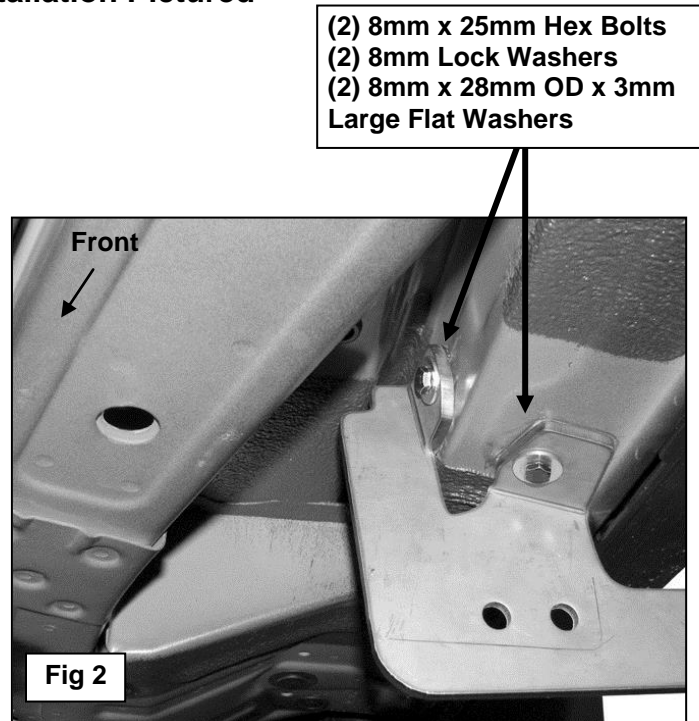
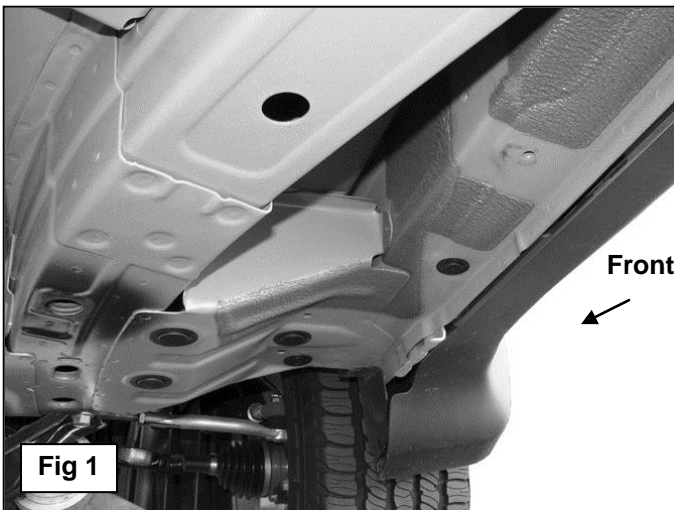
- the inner end of the Support Bracket from the previously installed Bolt Plate using (1) 10mm Flat Washer, (1) 10mm Lock Washer and (1) Hex Nut, **(Figure 5B)**. Do not fully tighten hardware.
- Next, move to the passenger/right rear of the vehicle. Locate the factory holes in the bottom of the frame channel and body panel, **(Figure 6)**. Remove rubber plugs as necessary. **NOTE:** To determine the correct mounting holes to use, hold the passenger side rear Mounting Bracket up in position against the bottom of the floor panel.
  - Insert (1) 10mm Centered Round End Bolt Plate, (with locating tab on plate), into the round hole located on the bottom of the body panel next to the pinch weld, **(Figures 7A & 7B)**. Next, insert (1) 12mm Bolt Plate, **(Figure 7C)**, into the oval hole located on the bottom of the frame channel. Rotate the Bolt Plate 90-degrees so that plate is across the oval hole, **(Figure 7B)**.
  - Attach the passenger side Rear Bracket to the inner 12mm Bolt Plate with (1) 12mm Flat Washer, (1) 12mm Lock Washer and (1) 12mm Hex Nut, **(Figure 8)**. Bolt the Bracket to the outer 10mm Bolt Plate with (1) 10mm Flat Washer, (1) 10mm Lock Washer and (1) 10mm Hex Nut, **(Figure 8)**. Do not tighten hardware at this time.
  - Carefully position the passenger Sidebar onto the Mounting Brackets. Bolt the Sidebar to the Brackets with the included (4) 8mm x 25mm Hex Bolts, (4) 8mm Lock Washers and (4) 8mm x 24mm OD x 2mm Standard Flat Washers, **(Figure 9)**. Snug but do not tighten hardware at this time.
  - Align the Sidebar properly and tighten all hardware.
  - Repeat **Steps 2 - 9** for the driver/left Sidebar installation.
  - Do periodic inspections to the installation to make sure that all hardware is secure and tight.

**To protect your investment**, wax this product after installing. Regular waxing is recommended to add a protective layer over the finish. Do not use any type of polish or wax that may contain abrasives that could damage the finish.

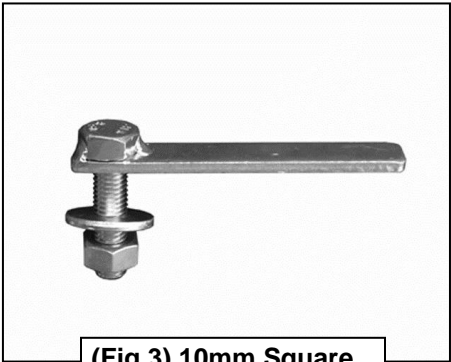
**For stainless steel:** Aluminum polish may be used to polish small scratches and scuffs on the finish. Mild soap may be used also to clean the Sidebar.

**For gloss black finishes:** Mild soap may be used to clean Sidebar.

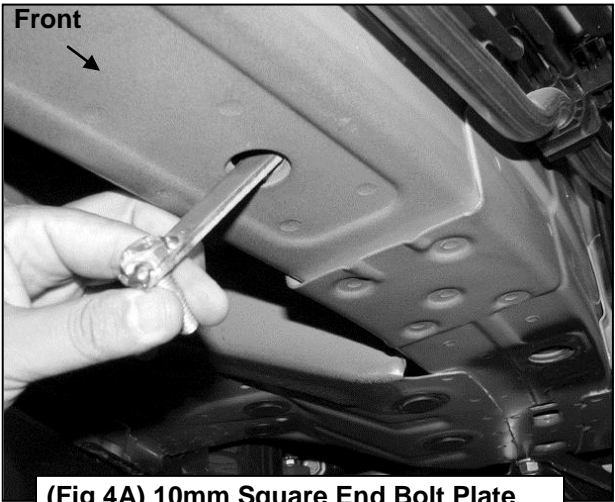
**Passenger Side Installation Pictured**



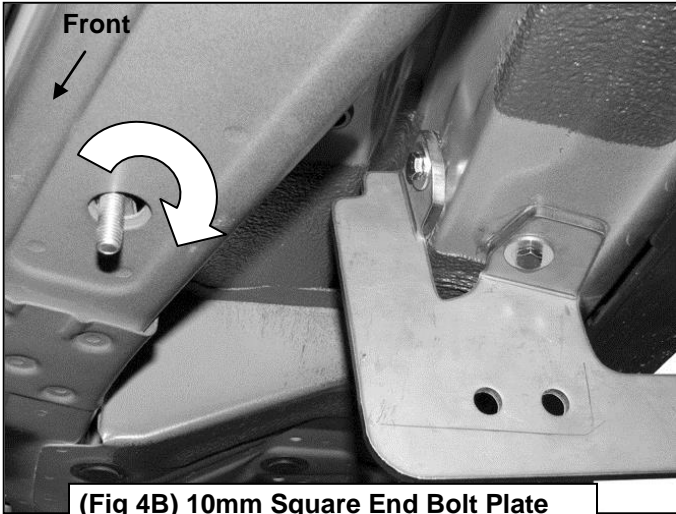
Passenger Side Installation Pictured



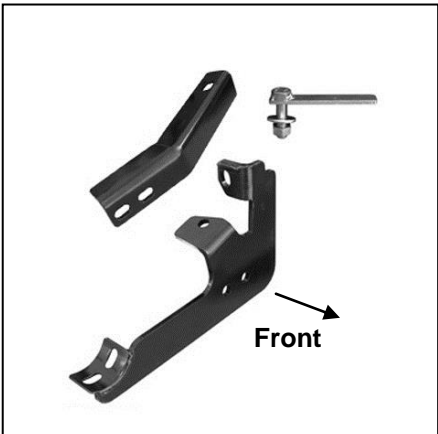
(Fig 3) 10mm Square End Bolt Plate



(Fig 4A) 10mm Square End Bolt Plate



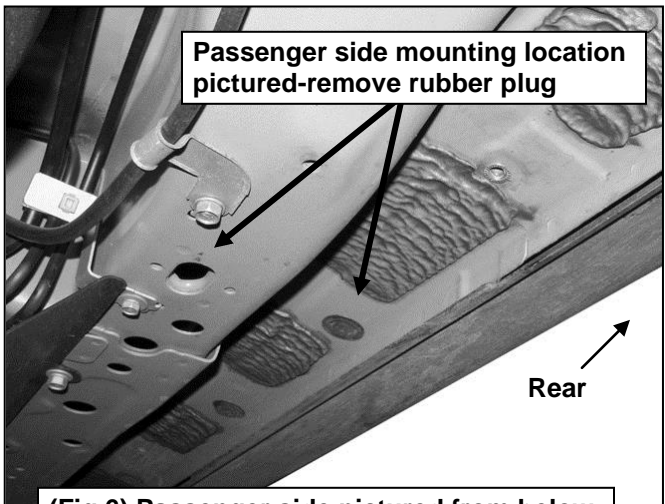
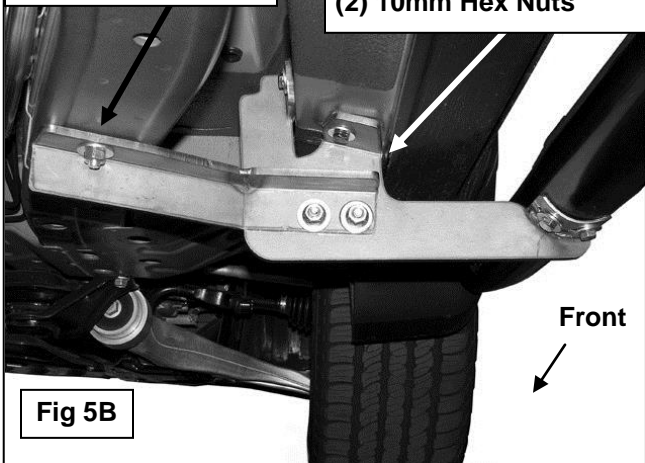
(Fig 4B) 10mm Square End Bolt Plate



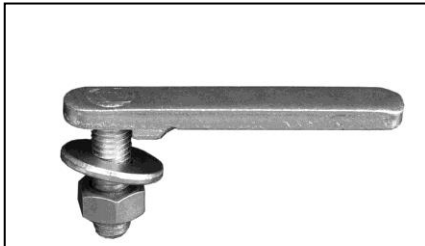
(Fig 5A) Passenger side front Mounting Bracket and Support Bracket pictured

10mm Flat Washer  
10mm Lock Washer  
10mm Hex Nut

(2) 10mm x 35mm Hex Bolts  
(4) 10mm Flat Washers  
(2) 10mm Lock Washers  
(2) 10mm Hex Nuts



Passenger Side Installation Pictured



(Fig 7A) 10mm rounded Bolt Plate with centering tab



Fig 7B

- 10mm Flat Washer
- 10mm Lock Washer
- 10mm Hex Nut

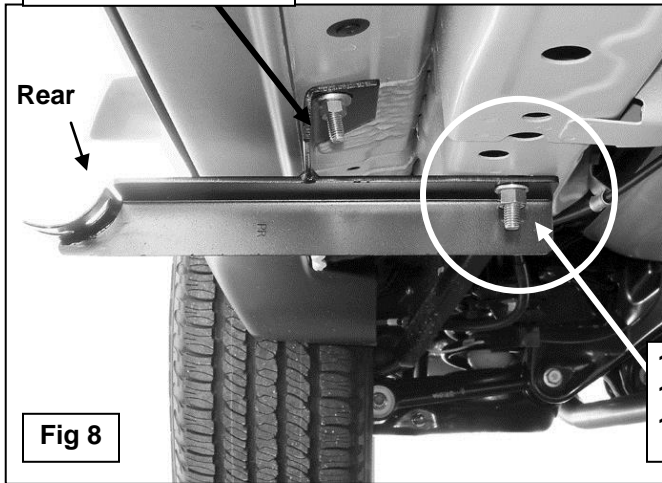


Fig 8

- 12mm Flat Washer
- 12mm Lock Washer
- 12mm Hex Nut

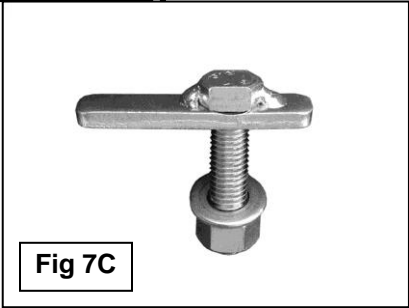


Fig 7C

12mm Bolt Plate (rotate bolt plates 90-degrees after installing)

- 8mm x 25mm Hex Bolts
- 8mm Lock Washers
- 8mm x 24mm OD x 2mm Standard Flat Washers



Fig 9



Complete installation