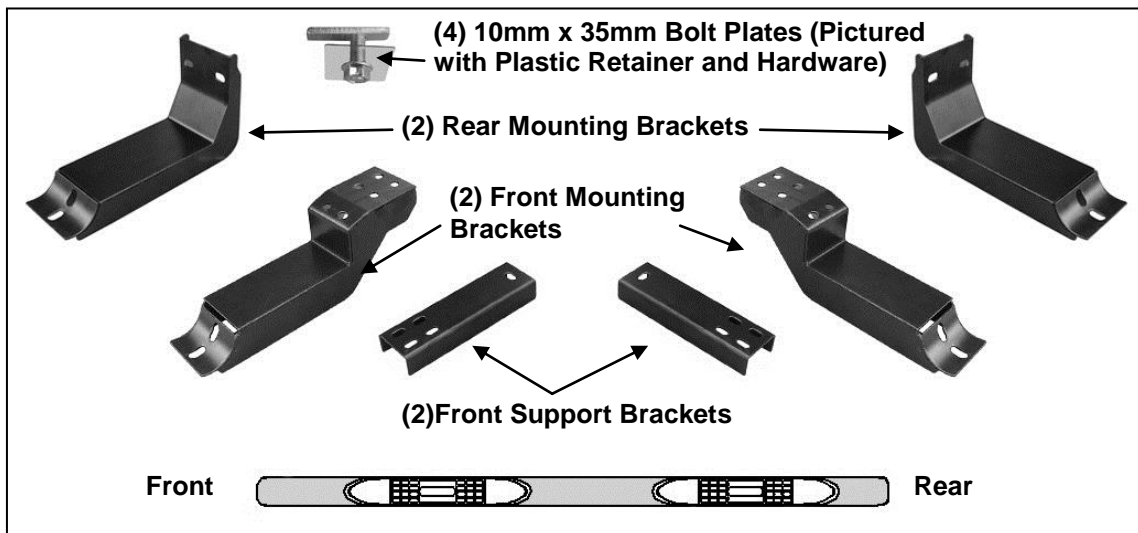


PARTS LIST:

1	Driver/Left Sidebar	4	10mm Lock Washers
1	Passenger/Right Sidebar	4	10mm Hex Nuts
2	Front Mounting Brackets	6	8-1.25mm x 30mm Hex Bolts
2	Front Support Brackets	8	8-1.25mm x 25mm Hex Bolts
2	Rear Mounting Brackets	8	8-1.25mm x 20mm Flange Hex Bolts
4	10-1.5mm x 35mm Bolt Plates	14	8mm x 24mm x 2mm Flat Washers
4	10mm Plastic Retainers	14	8mm Lock Washers
4	10mm x 24mm OD x 2.2mm Flat Washer	8	8mm Hex Locking Flange Nuts



PROCEDURE:

- 1. REMOVE CONTENTS FROM BOX. VERIFY ALL PARTS ARE PRESENT. READ INSTRUCTIONS CAREFULLY BEFORE STARTING INSTALLATION.**
- Select (1) Front Mounting Bracket and (1) Front Support Bracket, **(Figure 1)**. Line up the (4) main mounting holes in both brackets and bolt the Support Bracket to the bottom of the Mounting Bracket with the included (4) 8mm x 20mm Flange Hex Bolts and (4) 8mm Locking Flange Nuts, **(Figure 2)**. Do not tighten hardware at this time.
- Starting on the driver side front of the vehicle, locate the (2) factory threaded holes in the bottom of the outer frame channel and the single threaded hole in the bottom of the inner frame channel, **(Figure 3A & 3B)**. **NOTE:** The threaded holes may be filled with plastic plugs or covered in insulation. Remove plugs or insulation before proceeding.
- Position the Front Mounting Bracket and Support Bracket up to the vehicle. Hang the Bracket assembly from the two threaded holes using the provided (2) 8mm x 30mm Hex Bolts, (2) 8mm Lock Washers and (2) 8mm Flat Washers, **(Figure 4)**. Line up the slot in the end of the Support Bracket with the threaded hole in the inner frame channel. Bolt the Support Bracket to the frame channel with an 8mm x 30mm Hex Bolt, 8mm Lock Washer and 8mm Flat Washer. Snug but do not tighten hardware at this time.
- Move toward the rear of the vehicle and locate the (2) factory oval holes in the side of the body panel, **(Figure 5A)**. Thread (1) Plastic Retainer part way onto (1) 10mm Bolt Plate, **(Figure 5B)**. Insert the Bolt Plate and Retainer into the oval hole and thread the Plastic Retainer down against the body panel, **(Figure 5A)**. Rotate the Bolt Plate 90-degrees so that it is supported across the slot in the body panel. **IMPORTANT:** The Plastic Retainer is designed to prevent the Bolt Plate from falling into the body cavity and to aid in Bracket installation. Repeat this Step to install the second Bolt Plate in the remaining factory oval hole.

2003-2011 HONDA ELEMENT (EXCLUDES SC MODEL)

6. Select (1) Rear Mounting Bracket. Hang the Bracket from the (2) 10mm Bolt Plates and secure with (2) 10mm Flat Washers, (2) 10mm Lock Washers and (2) 10mm Hex Nuts, **(Figure 6)**. Snug but do not fully tighten at this time.
7. Carefully position the driver Sidebar onto the Mounting Brackets. Line up the threaded holes in the bottom of the Sidebar with the slots in the Brackets. Bolt the Sidebar to the Brackets with the included (4) 8mm x 25mm Hex Bolts, (4) 8mm Lock Washers and (4) 8mm Flat Washers, **(Figures 4 & 6)**. Snug but do not tighten hardware at this time.
8. Align the Sidebar properly and tighten all hardware.
9. Repeat Steps 2 - 8 for the passenger Sidebar installation.
10. Do periodic inspections to the installation to make sure that all hardware is secure and tight.

To protect your investment, wax this product after installing. Regular waxing is recommended to add a protective layer over the finish. Do not use any type of polish or wax that may contain abrasives that could damage the finish.

For stainless steel: Aluminum polish may be used to polish small scratches and scuffs on the finish. Mild soap may be used also to clean the Sidebar.

For gloss black finishes: Mild soap may be used to clean Sidebar.

Driver Side Installation Pictured

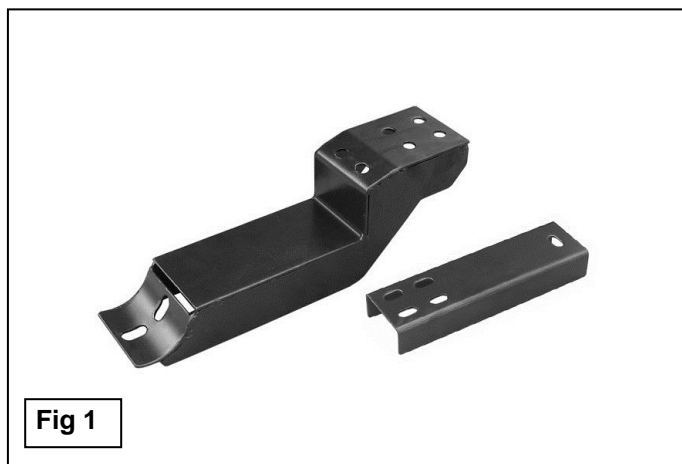


Fig 1

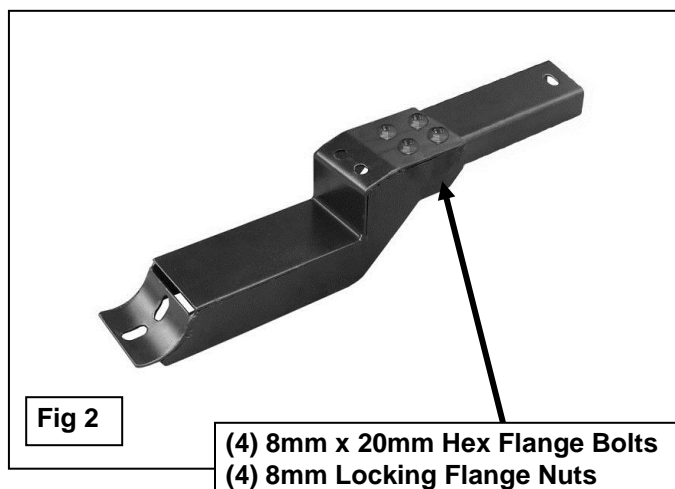
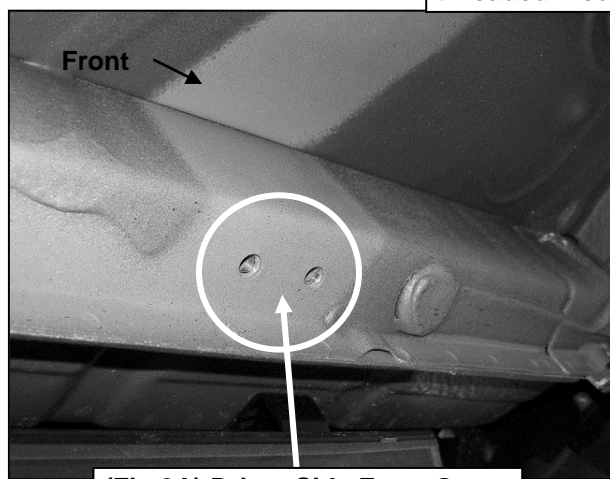


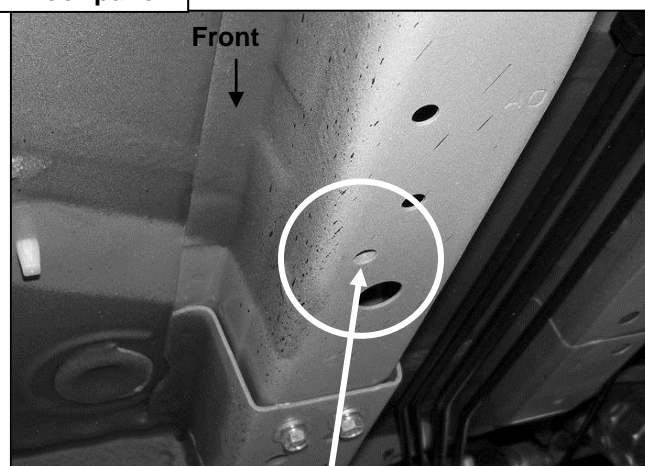
Fig 2

(4) 8mm x 20mm Hex Flange Bolts
(4) 8mm Locking Flange Nuts

Remove plugs (if equipped) to uncover threaded mounting holes in floor panel

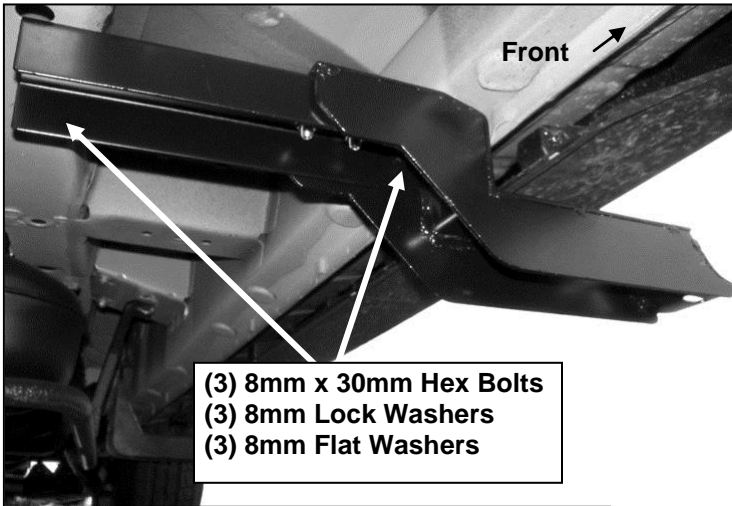


(Fig 3A) Driver Side Front Outer Mounting Location Pictured



(Fig 3B) Driver Side Front Inner Mounting Location Pictured

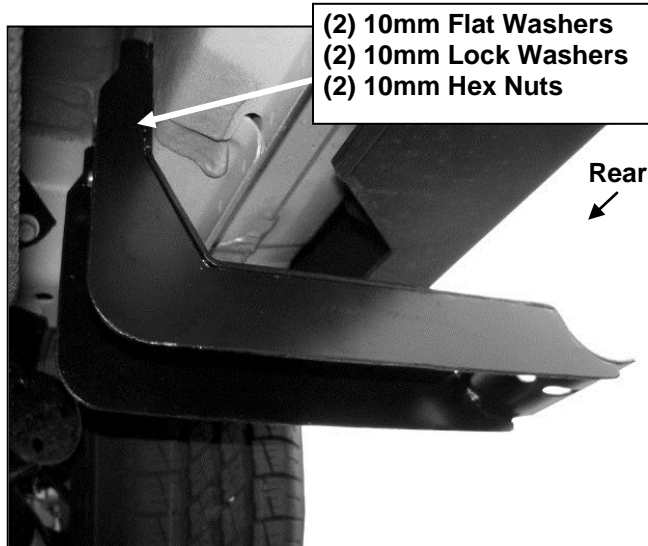
Driver Side Installation Pictured



- (3) 8mm x 30mm Hex Bolts
- (3) 8mm Lock Washers
- (3) 8mm Flat Washers

(Fig 4) Driver Side Front Mounting Bracket Assembly Pictured

Bolt the Sidebar to each cradle on the Mounting Brackets with:
(2) 8mm x 25mm Hex Bolts
(2) 8mm Lock Washers
(2) 8mm Flat Washers



- (2) 10mm Flat Washers
- (2) 10mm Lock Washers
- (2) 10mm Hex Nuts

(Fig 6) Driver Side Rear Mounting Bracket Pictured

Bolt the Sidebar to each cradle on the Mounting Brackets with:
(2) 8mm x 25mm Hex Bolts
(2) 8mm Lock Washers
(2) 8mm Flat Washers

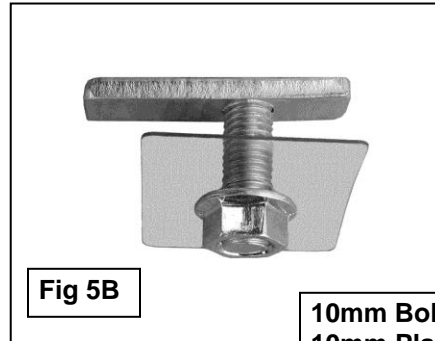
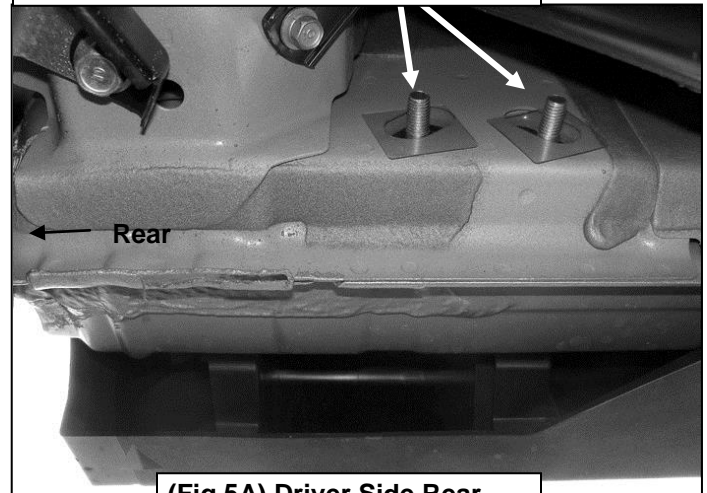


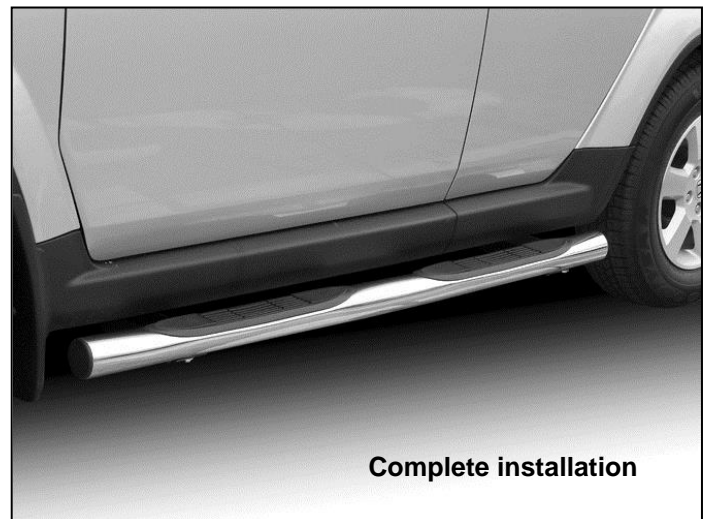
Fig 5B

10mm Bolt Plate
10mm Plastic Retainer

(2) 10mm x 35mm Bolt Plates
(2) 10mm Plastic Retainers
Insert Bolt Plate and rotate 90-degrees
across slot opening in body panel



(Fig 5A) Driver Side Rear Mounting Location Pictured



Complete installation