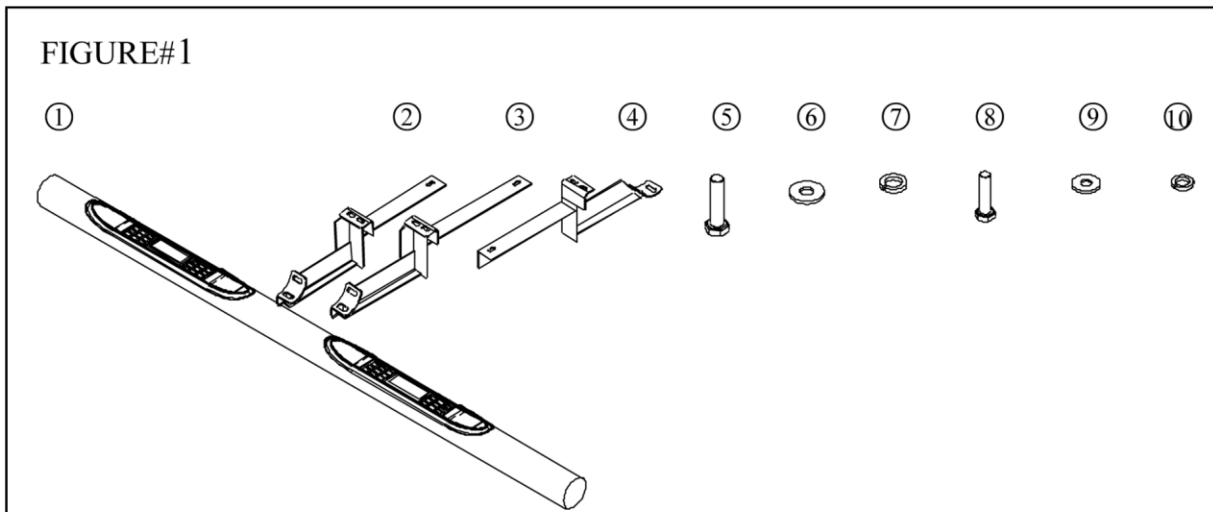


NOTE:

- ≡ The figures here are for reference only and may have differences with the actual product you received, however they share the same assembly way.
- ≡ Please read the instruction completely for easy installation, which will also help you to avoid scratches or other potential damages to your appealing car.
- ≡ Please periodically check and retighten all the hardware and clean the investment for a refresh look.

PART LIST:

No.	Name	Qty	Remarks	No.	Name	Qty	Remarks
①	Side bar	2		⑥	Flat washer	8	10mm
②	LF-mount bracket	1		⑦	Lock washer	8	10mm
③	LR-mount bracket	1		⑧	Hex bolt	12	M8×20
④	Right bracket	2		⑨	Flat washer	12	8mm
⑤	Hex bolt	8	M10×20	⑩	Lock washer	12	8mm

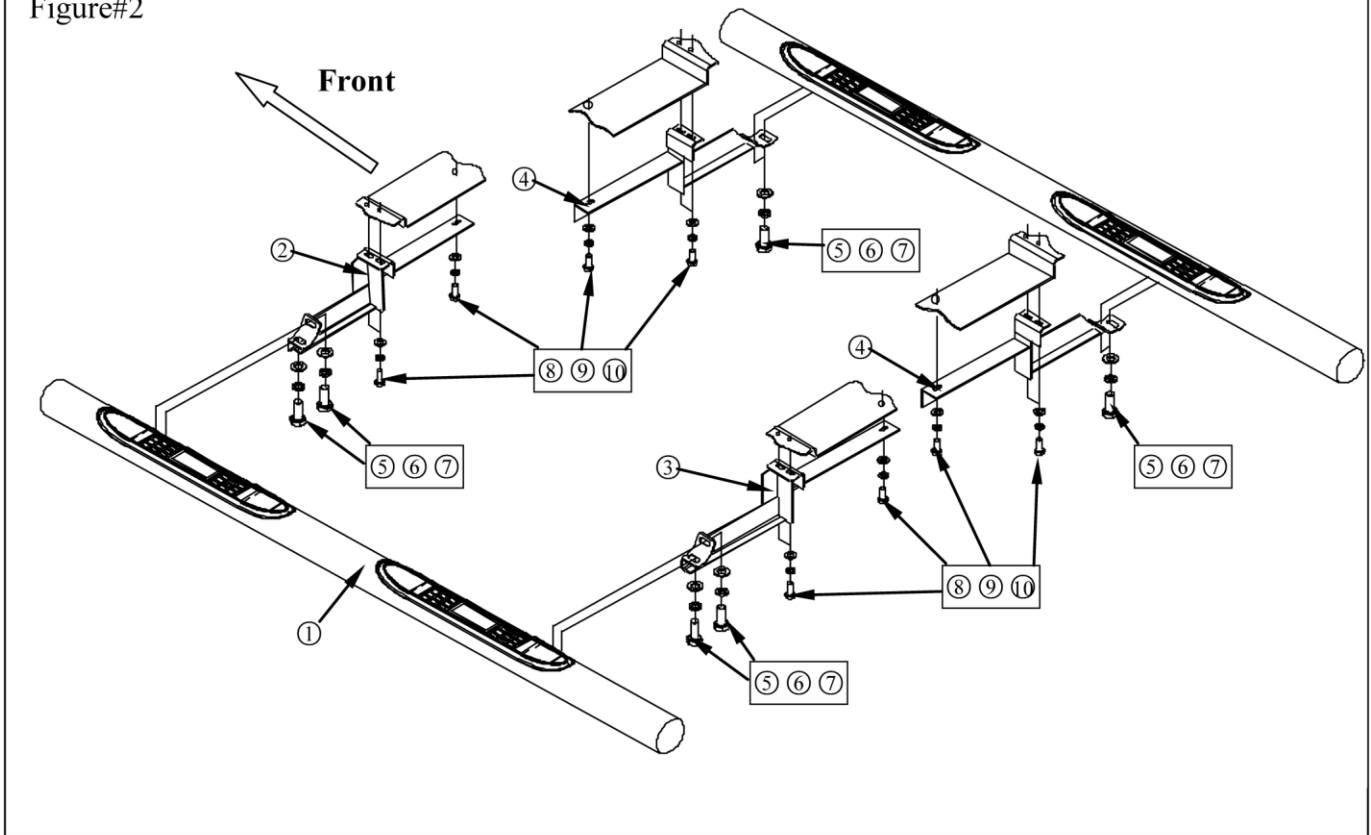


TOOLS NEEDED: 1、one 17mm wrench 2、one 14mm wrench .

ASSEMBLY PROCEDURE:

- Step 1: Check all the contents are available in accordance with the above list and figure#1. (LR-bracket is longest)
- Step 2: Mount brackets to vehicle frame (using existing holes) by using accessories ⑧ ⑨ ⑩ as shown in figure#2 .
- Step 3: Install the side bars to the brackets using accessories ③ ⑥ ⑦, and adjust them to proper position, and then tighten all the hardware.

Figure#2



Step 4: Check all the parts are properly installed, and then you can enjoy the investment.

NOTE: Any damages and losses caused by improper installation and application, goes beyond our quality warranty.