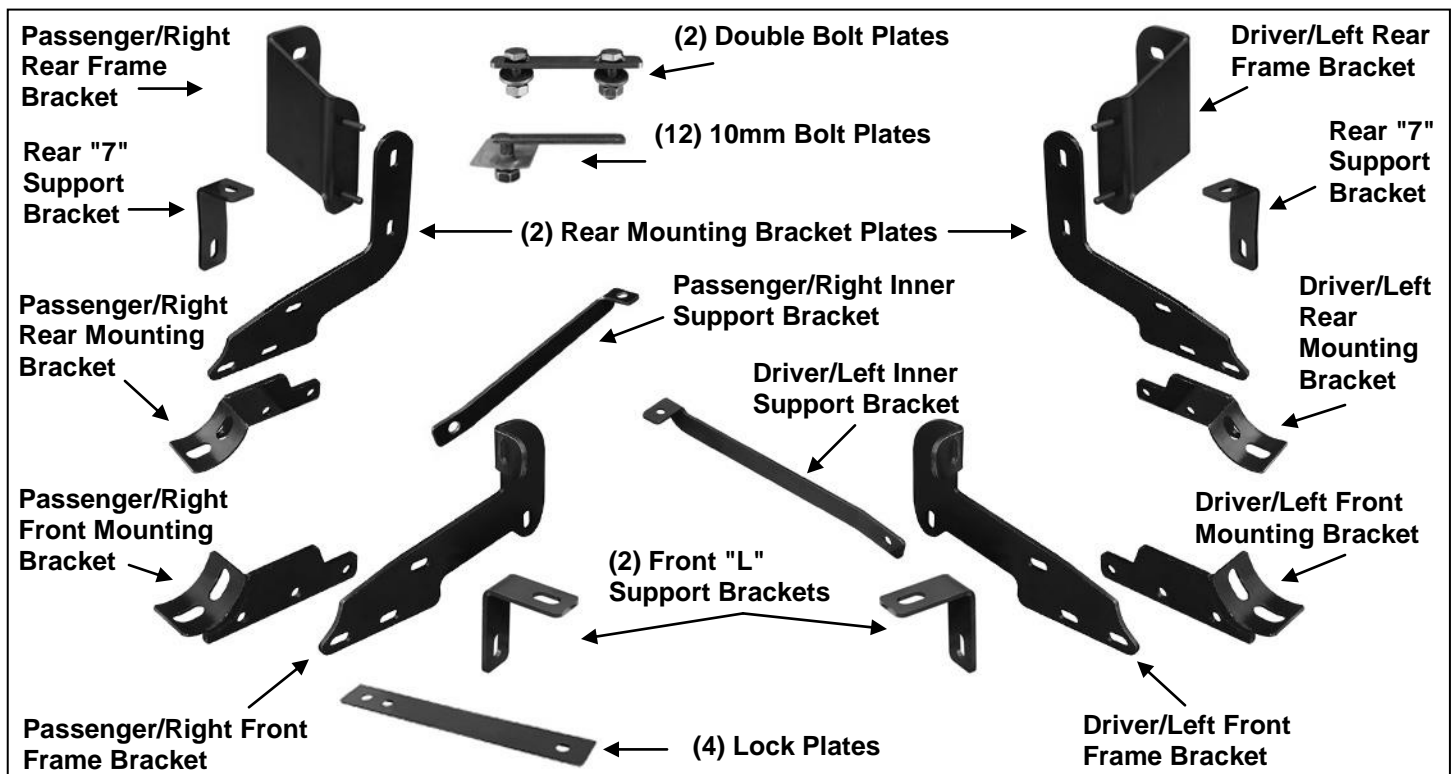


Parts List:

1	Driver/Left Sidebar	4	Locking Plates
1	Passenger/Right Sidebar	2	10mm Double Bolt Plates
1	Driver/Left Front Frame Bracket	12	10mm Bolt Plates
1	Passenger/Right Front Frame Bracket	12	10mm Plastic Retainers
1	Driver/Left Inner Front Support Bracket	12	10mm x 27mm x 3mm Flat Washers
1	Passenger/Right Inner Front Support Bracket	16	10mm Lock Washers
2	Front Outer Support Brackets	16	10mm Hex Nuts
1	Driver/Left Rear Frame Bracket	6	8-1.25mm x 30mm Hex Bolts
1	Passenger/Right Rear Frame Bracket	16	8-1.25mm x 25mm Hex Bolts
2	Rear Mounting Plates	24	8mm x 24mm x 2mm STD Flat Washers
2	Rear Outer Support Brackets	16	8mm x 16mm x 1.6mm STD Flat Washers
2	Driver front/passenger rear Sidebar Brackets	8	8mm Lock Washers
2	Passenger front/driver rear Sidebar Brackets	18	8mm Nylon Lock Nuts



PROCEDURE:

- REMOVE CONTENTS FROM BOX. VERIFY ALL PARTS ARE PRESENT. READ INSTRUCTIONS CAREFULLY.**
- Start installation on the driver side of the vehicle. Locate and remove the (2) rubber plugs in the bottom of the outer frame channel closest to the front wheel opening, **(Figure 1)**.
- Select (2) 10mm Bolt Plates and (2) 10mm Plastic Retainers, **(Figure 2A)**. Partially thread the Retainers onto the Bolt Plates. **NOTE:** The Plastic Retainer is designed to help hold the Bolt Plate in place during Bracket installation.
- Insert (1) Bolt Plate into the first-forward hole with the plate pointed toward the rear of the vehicle, **(Figure 2B)**. Thread the Plastic Retainer down tight against the body panel. Repeat to install the next Bolt Plate into the second hole with the Plate pointed toward the front of the vehicle, **(Figure 3)**. **IMPORTANT:** The Plates on the (2) Bolt Plates must be pointed toward each other.

5. Select (1) Lock Plate, **(Figure 3)**. Slide the Lock Plate over the (2) Bolt Plates with the bent side toward the pinch weld. Attach the Lock Plate to the rear Bolt Plate only with (1) 10mm Flat Washer, (1) 10mm Lock Washer and (1) 10mm Hex Nut, **(Figure 4)**. Tighten the Hex Nut at this time.
 6. Locate the round hole in the back of the outer frame channel directly behind the previously installed Bolt Plates, **(Figure 5B)**. Remove the rubber plug. Select (1) 10mm Bolt Plate and (1) 10mm Plastic Retainer, **(Figure 5A)**. Partially thread the Retainer onto the Bolt Plate. Insert the Bolt Plate into the hole and tighten the Retainer as previously described.
- IMPORTANT:** Mounting areas may be covered with undercoating. Scrape excess undercoating from body panel at all mounting locations. Brackets must mount flat against all body panels.
7. Select (1) Front "L" Support Bracket, **(Figure 6)**. Attach the shorter leg on the Support Bracket to the front Bolt Plate with (1) 10mm Flat Washer, (1) 10mm Lock Washer and (1) 10mm Hex Nut, **(Figures 7 & 8)**. Leave hardware loose at this time.
 8. Select the driver side Front Frame Bracket. Attach the Bracket to the Bolt Plate in the back of the frame channel first with (1) 10mm Flat Washer, (1) 10mm Lock Washer and (1) 10mm Hex Nut, **(Figure 7)**. Attach the Frame Bracket to the back of the "L" Support Bracket with (1) 8mm x 30mm Hex Bolt, (2) 8mm x 24mm Large Flat Washers and (1) 8mm Nylon Lock Nut, **(Figures 7 & 8)**. Do not tighten hardware at this time.
 9. Next, locate the factory holes in the bottom of the inner frame channel directly behind the tie down loop where frame is joined together. Determine the correct factory hole to use:

Driver side installation: Use the factory hole closest to the loop, **(Figure 9B)**.

Passenger side installation: Use the 2nd factory hole back from the loop, **(Figure 12)**.
 10. Select (1) 10mm Bolt Plate and (1) 10mm Plastic Retainer, **(Figure 9A)**. Partially thread the Retainer onto the Bolt Plate. Insert the Bolt Plate into the correct factory hole in the frame channel as identified in **Step 9, (Figures 9B & 12)**. **IMPORTANT:** The driver side and passenger side Front Inner Support Brackets do not install in the same manner.
 11. Select the correct Inner Front Support Bracket, **(Figure 10)**. Attach the 90-degree bent end of the Support Bracket to the Bolt Plate in the frame channel with (1) 10mm Flat Washer, (1) 10mm Lock Washer and (1) 10mm Hex Nut, **(Figures 11 & 12)**. Bolt the outer end of the Support Bracket to the front Mounting Bracket with (1) 8mm x 30mm Hex Bolt, (2) 8mm x 24mm Large Flat Washers and (1) 8mm Nylon Lock Nut. Do not tighten hardware at this time.

Attach the driver side inner Support Bracket to the **front** of the Front Mounting Bracket, **(Figure 11)**.

Attach the passenger side Inner Support Bracket to the **back** of the Front Mounting Bracket, **(Figure 12)**.
 12. Move to the rear mounting location in front of the driver side rear tire opening. Locate the large oval and the round holes in the inner body panel in front of the rear tire, **(Figure 13)**. Select (1) 10mm Double Bolt Plate and (1) 10mm Plastic Retainer, **(Figure 14A)**. Insert the Bolt Plate into the oval hole and up and out of the smaller round hole above it. Thread the Plastic Retainer onto the Bolt Plate over the round hole only, **(Figure 14B)**.
 13. Locate the last (2) round holes along the floor panel, **(Figure 14B)**. Repeat **Steps 2—5** to install the (2) Bolt Plates and Lock Plate, **(Figure 15)**. **NOTE:** Attach the Lock Plate to the front Bolt Plate only with (1) 10mm Flat Washer, (1) 10mm Lock Washer and (1) 10mm Hex Nut, **(Figure 15)**. Tighten the 10mm Hex Nut at this time.
 14. Select the driver side rear Frame Bracket, **(Figure 16)**. Attach the Frame Bracket to the Double Bolt Plate with (2) 10mm Flat Washers, (2) 10mm Lock Washers and (2) 10mm Hex Nuts, **(Figure 17)**. Do not tighten hardware at this time. Next, attach (1) Rear Mounting Plate to the front of the Frame Bracket with (2) 8mm Large Flat Washers and (2) 8mm Nylon Lock Nuts, **(Figures 16 & 18)**. Do not tighten hardware at this time.
 15. Select the driver side "7" Rear Support Bracket, **(Figures 6 & 16)**. Attach the Support Bracket to the rear Bolt Plate with (1) 10mm Flat Washer, (1) 10mm Lock Washer and (1) 10mm Hex Nut, **(Figures 16 & 18)**. Do not tighten hardware. Line up the hole in the Rear Mounting Plate with the "7" Rear Support Bracket. Bolt the Mounting Plate to the front of the "7" Bracket with (1) 8mm x 30mm Hex Bolt, (2) 8mm Large Flat Washers and (1) 8mm Nylon Lock Nut, **(Figure 18)**. Do not tighten hardware at this time.

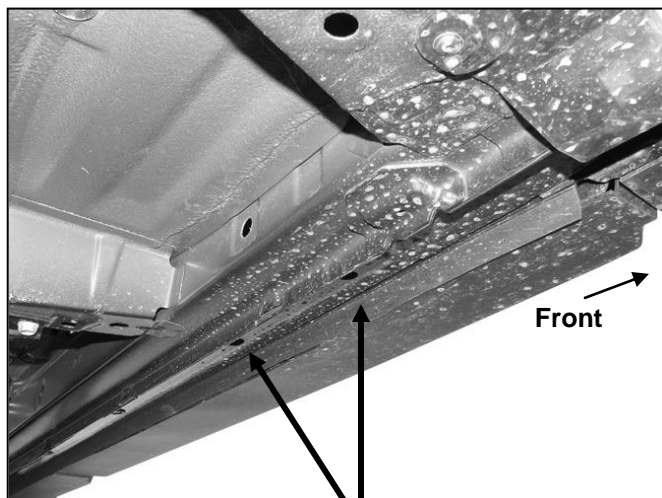
16. Next, select (1) front and (1) rear Sidebar Mounting Bracket. Note that there are (3) mounting holes in the Sidebar Brackets and (2) holes in the Mounting Brackets they will attach to. This allows for (2) different mounting positions for the Sidebar, **(Figure 19)**.
 - a. Attach the Sidebar Brackets to the inner and center holes to move the Sidebar closer to the vehicle. Doors must be open to use the Sidebar.
 - b. Attach the Sidebar Brackets to the center and outer holes to move the sidebar away from the vehicle. Doors may be closed to use the Sidebar.
17. Once proper position has been selected, bolt the front Sidebar Bracket, with cradle pointing to rear, to the back of the Mounting Bracket with (2) 8mm x 25mm Hex Bolts, (4) 8mm x 16mm Small Flat Washers and (2) 8mm Nylon Lock Nuts, **(Figure 20)**. Repeat this Step to bolt the rear Sidebar Bracket, with cradle facing forward, to the front facing side of the rear Mounting Plate, **(Figure 21)**.
18. Select the driver/left Sidebar. **NOTE:** Bent end toward front of vehicle. Carefully place the Sidebar in position on top of the Brackets. Line up the threaded holes in the bottom of the Sidebar with the slots in the Brackets. Bolt the Sidebar to the Brackets with (4) 8mm x 25mm Hex Bolts, (4) 8mm Lock Washers and (4) 8mm x 24mm Large Flat Washers, **(Figures 20 & 21)**. Do not tighten hardware at this time.
19. Adjust and level the Sidebar and tighten all hardware.
20. Repeat **Steps 2—19** for passenger Sidebar installation.
21. Do periodic inspections to the installation to make sure that all hardware is secure and tight.

To protect your investment, wax this product after installing. Regular waxing is recommended to add a protective layer over the finish. Do not use any type of polish or wax that may contain abrasives that could damage the finish.

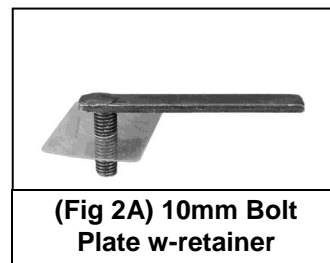
For stainless steel: Aluminum polish may be used to polish small scratches and scuffs on the finish. Mild soap may be used also to clean the Sidebar.

For gloss black finishes: Mild soap may be used to clean the Sidebar.

Driver Side Installation Pictured



(Fig 1) Driver side front mounting location pictured from below. Remove (3) rubber plugs from factory holes



(Fig 2A) 10mm Bolt Plate w-retainer

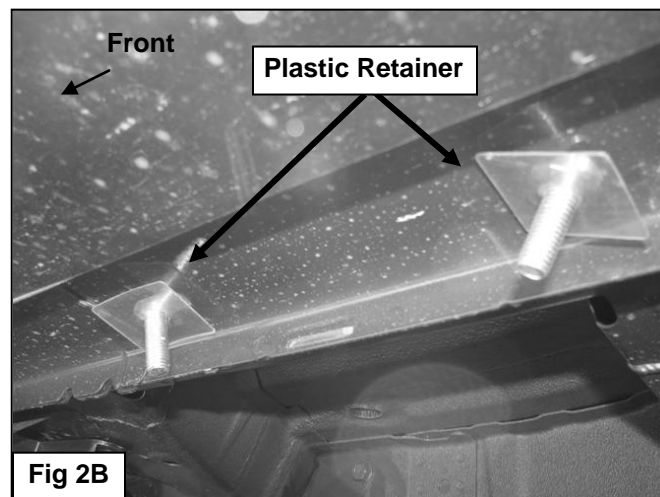
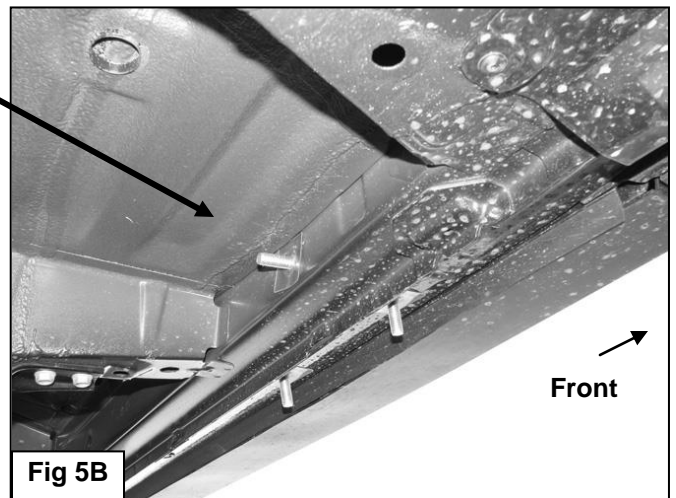
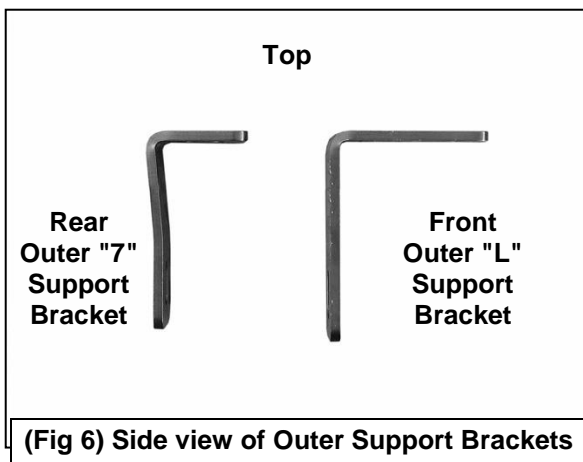
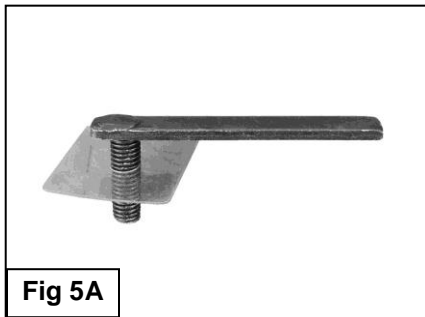
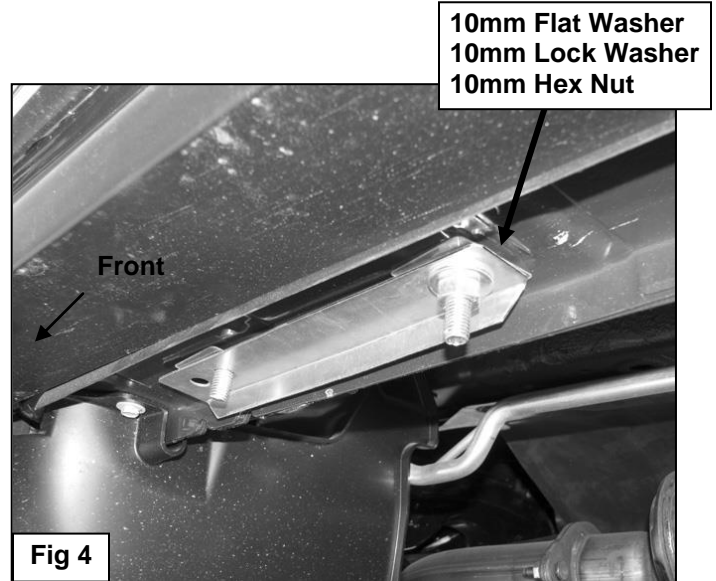
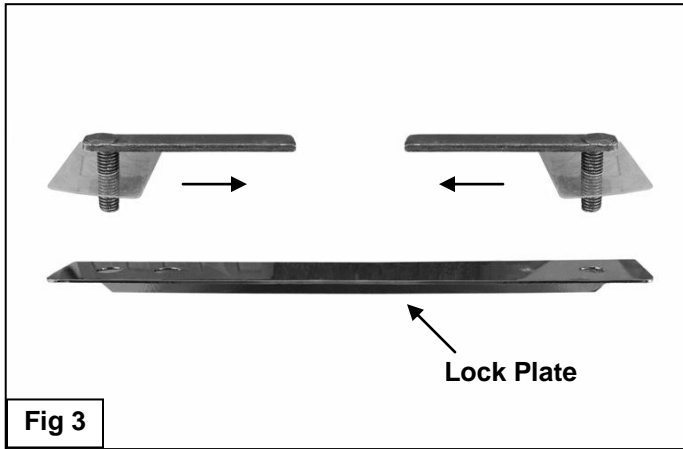


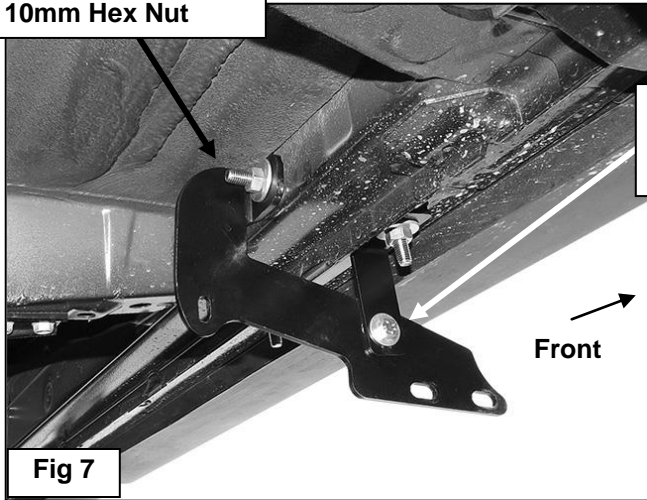
Fig 2B

Driver Side Installation Pictured



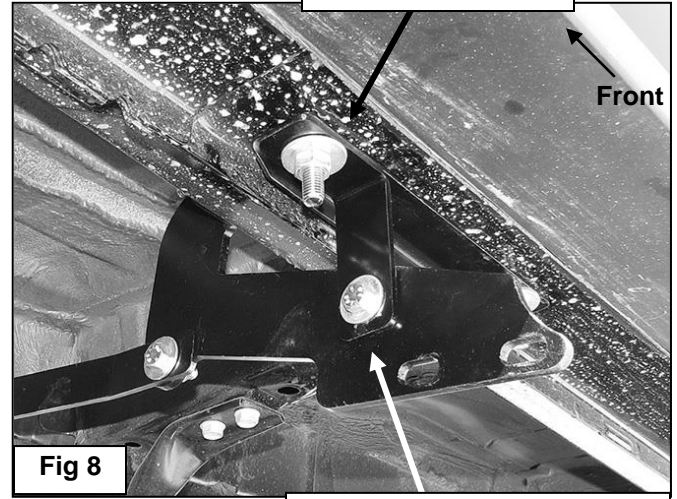
Driver Side Installation Pictured

10mm Flat Washer
10mm Lock Washer
10mm Hex Nut



8mm x 30mm Hex Bolt
(2) 8mm Large Flat Washers
8mm Nylon Lock Nut

10mm Flat Washer
10mm Lock Washer
10mm Hex Nut



8mm x 30mm Hex Bolt
(2) 8mm Large Flat Washers
8mm Nylon Lock Nut

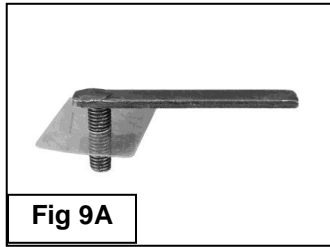
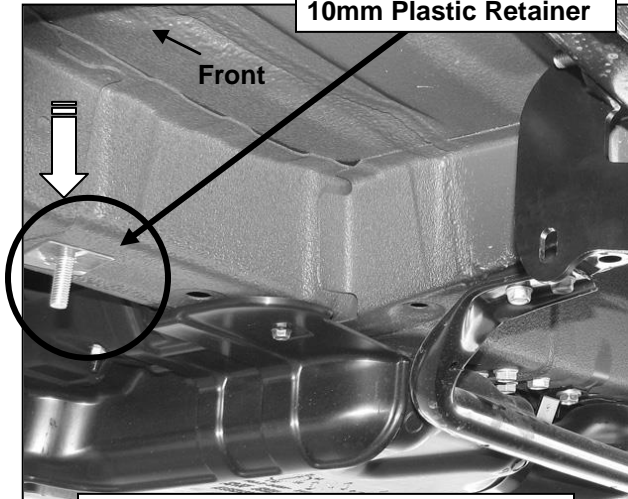
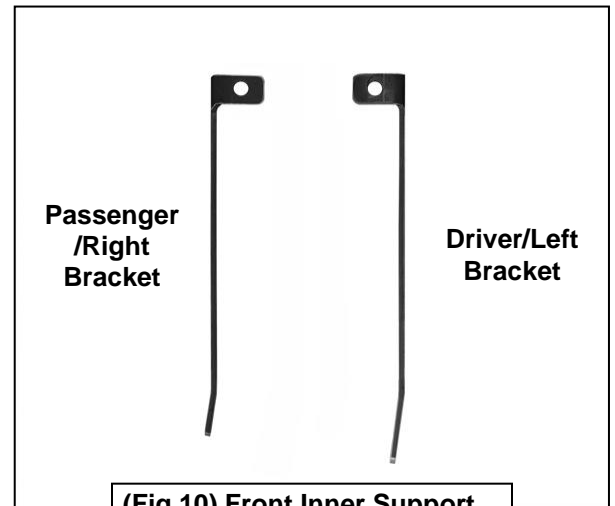


Fig 9A

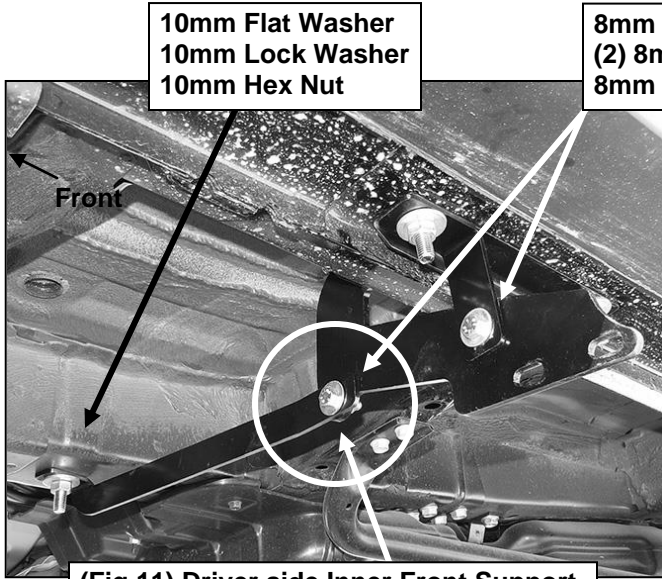
10mm Bolt Plate
10mm Plastic Retainer



(Fig 9B) Driver/Left inner location pictured. Install Bolt Plate in forward hole closest to tie down loop



(Fig 10) Front Inner Support Brackets pictured from above



10mm Flat Washer
 10mm Lock Washer
 10mm Hex Nut

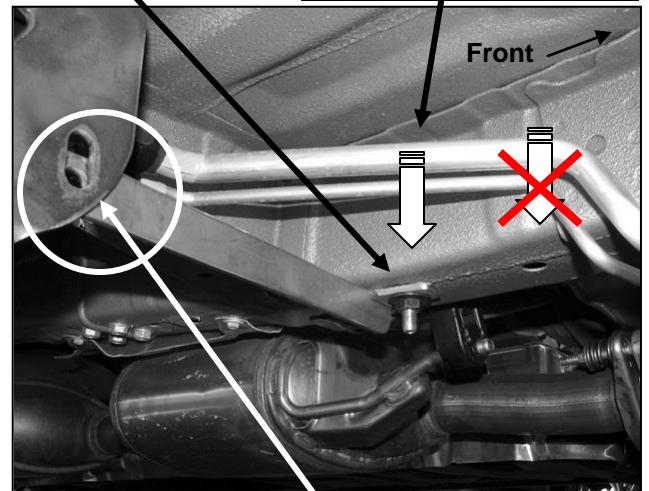
8mm x 30mm Hex Bolt
 (2) 8mm Large Flat Washers
 8mm Nylon Lock Nut

Front

(Fig 11) Driver side Inner Front Support Bracket pictured. Bolt Support Bracket to front of Front Bracket

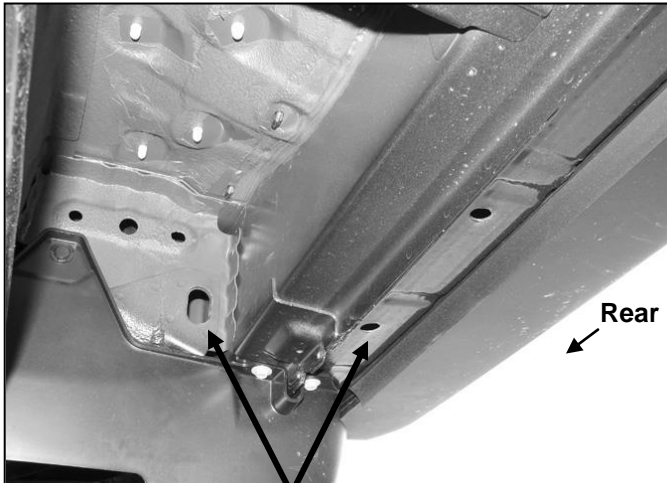
10mm Bolt Plate
 10mm Plastic Retainer
 10mm Flat Washer
 10mm Lock Washer
 10mm Hex Nut

Passenger/right inner location pictured. Install Bolt Plate in 2nd hole behind tie down loop



Front

(Fig 12) Passenger/Right inner location pictured. Bolt Support Bracket to back side of Front Bracket



Rear

(Fig 13) Driver side rear mounting location pictured

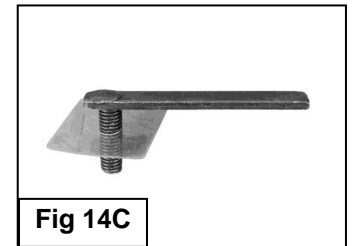
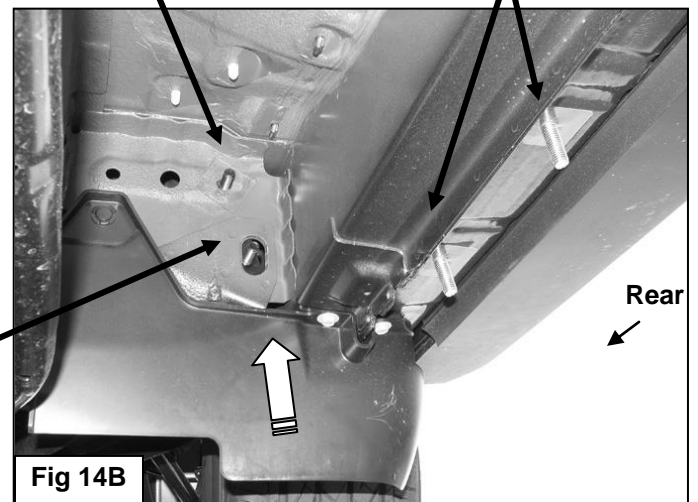


Fig 14C

Plastic Retainer



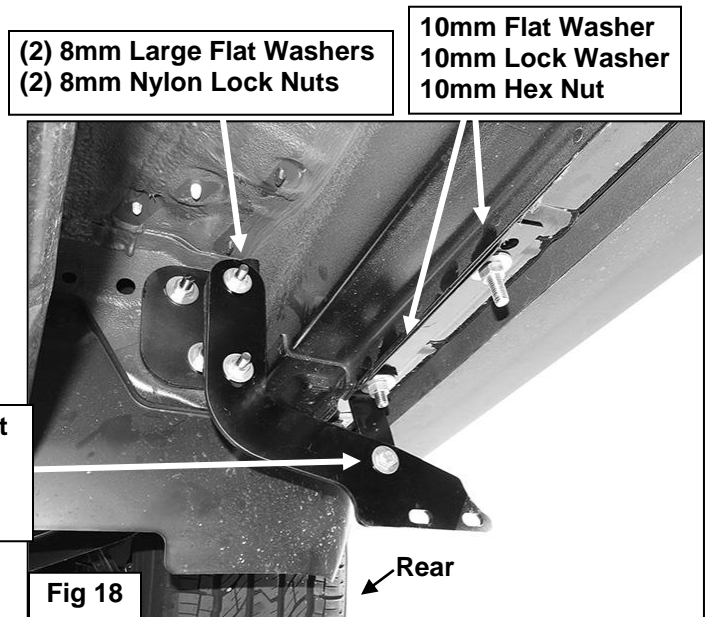
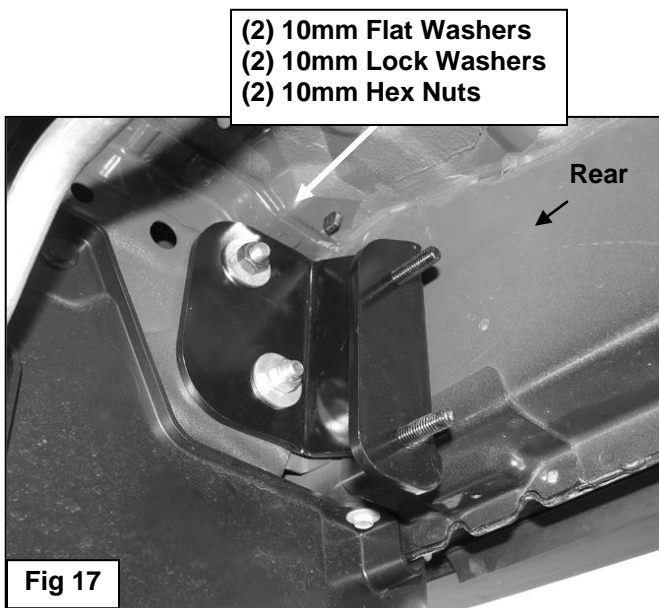
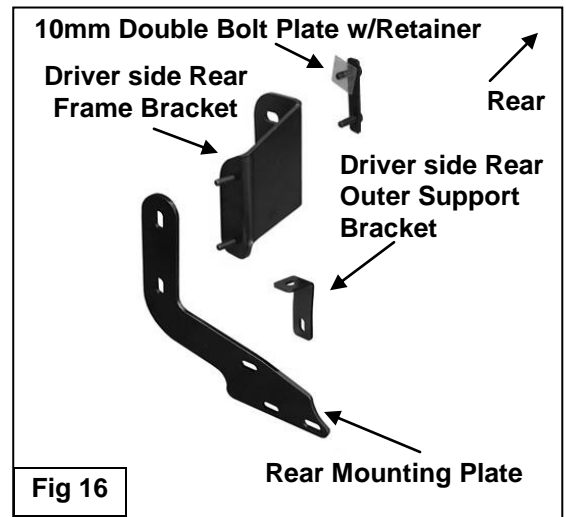
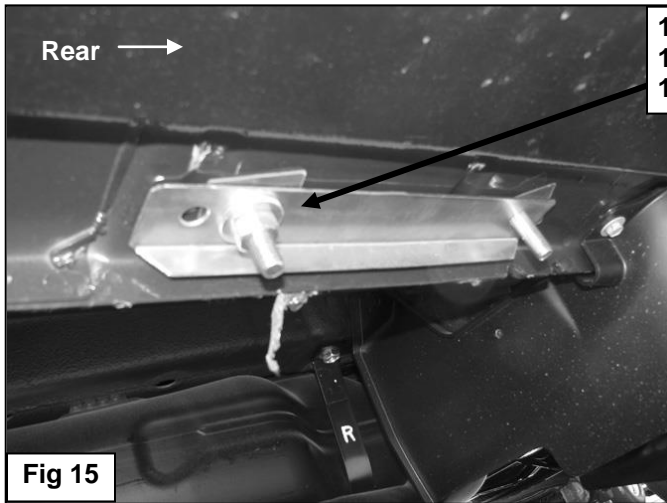
Rear

Fig 14B

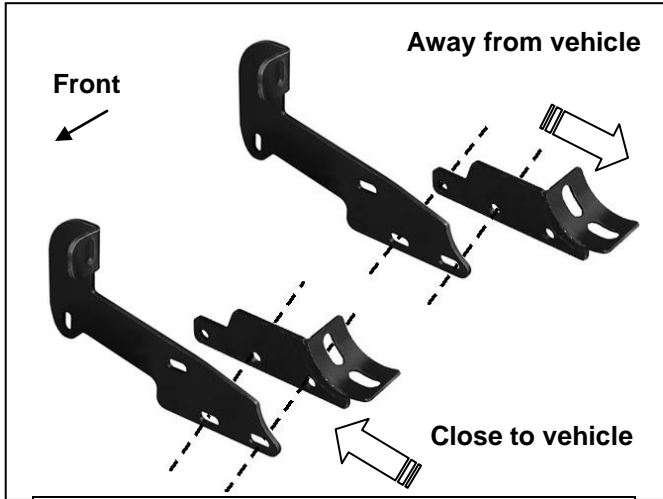


Fig 14A

Driver Side Installation Pictured



Driver Side Installation Pictured



(Fig 19) Driver side front Mounting Bracket illustrated to show both mounting positions

- (2) 8mm x 25mm Hex Bolts
- (2) 8mm Lock Washers
- (2) 8mm x 24mm Flat Washers

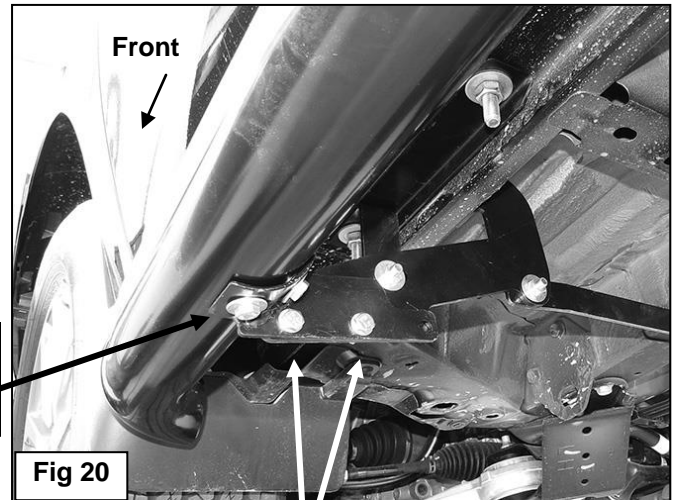


Fig 20

- (2) 8mm x 25mm Hex Bolts
- (4) 8mm x 16mm Small Flat Washers
- (2) 8mm Nylon Lock Nuts

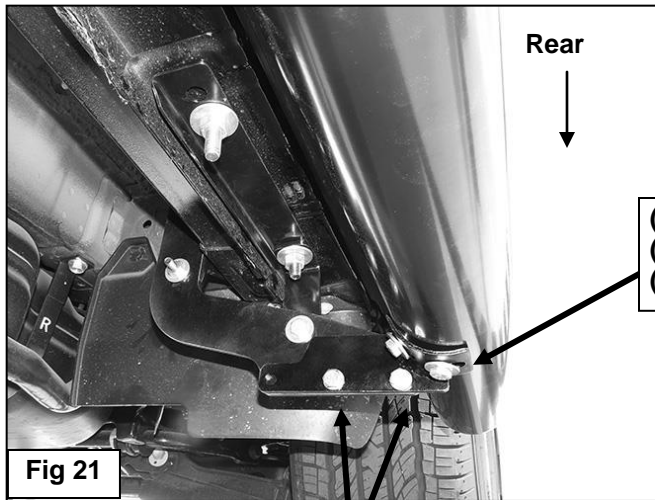
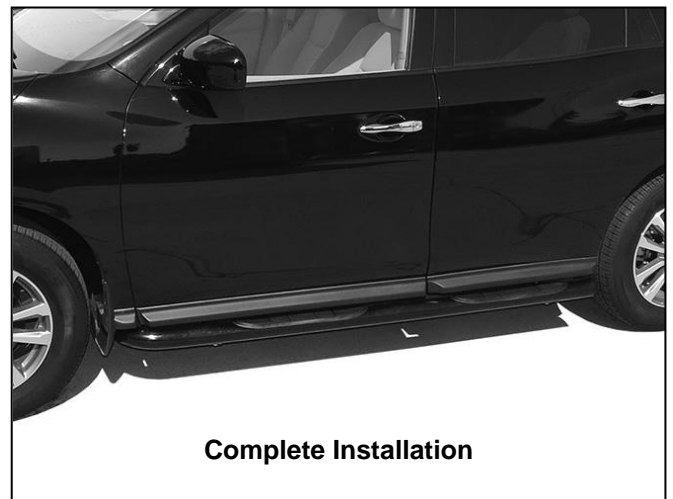


Fig 21

- (2) 8mm x 25mm Hex Bolts
- (2) 8mm Lock Washers
- (2) 8mm x 24mm Flat Washers

- (2) 8mm x 25mm Hex Bolts
- (4) 8mm x 16mm Small Flat Washers
- (2) 8mm Nylon Lock Nuts



Complete Installation