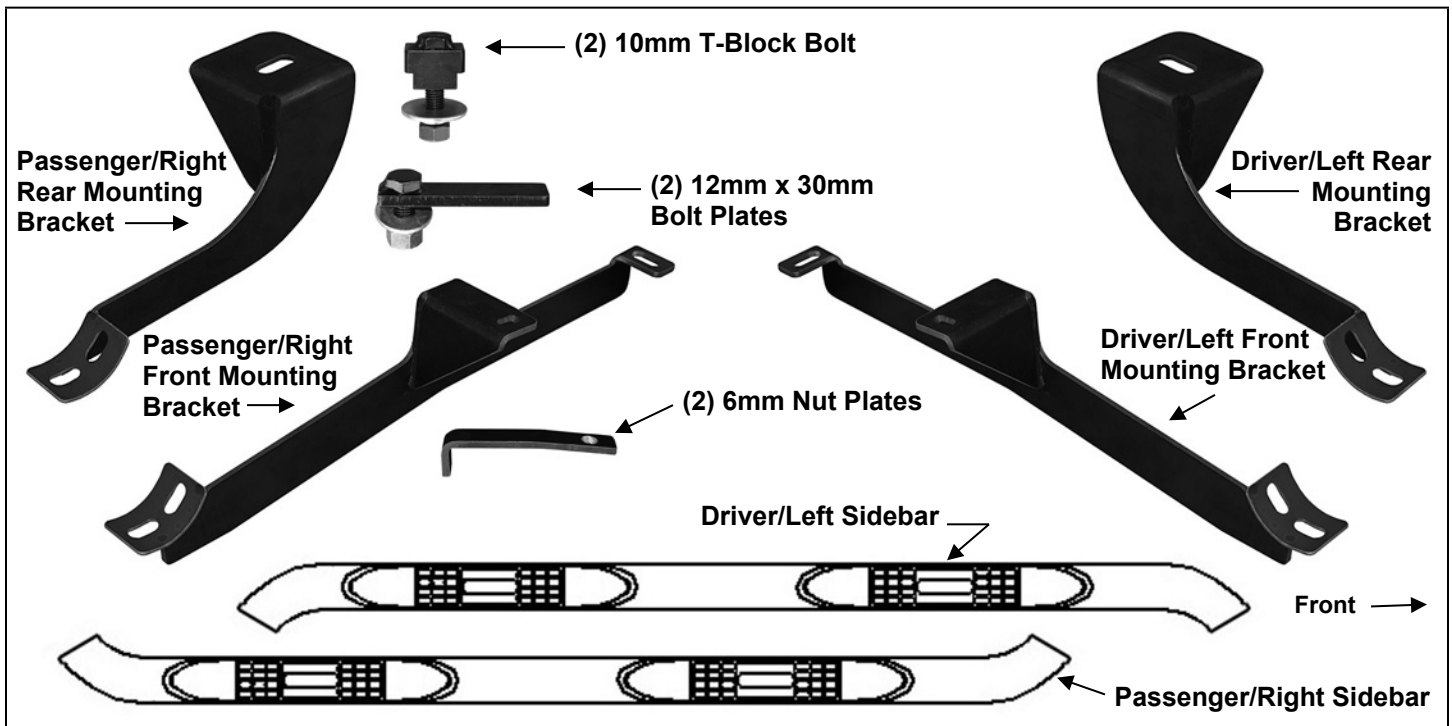


PARTS LIST:

1	Driver/Left Sidebar	2	12mm Hex Nuts
1	Passenger/Right Sidebar	2	10mm x 34mm x 3mm Flat Washers
1	Driver/Left Front Mounting Bracket	2	10mm Lock Washer
1	Passenger/Right Front Mounting Bracket	2	10mm Hex Nut
1	Driver/Left Rear Mounting Bracket	8	8-1.25mm x 25mm Hex Bolts
1	Passenger/Right Rear Mounting Bracket	8	8mm x 24mm OD x 2mm Flat Washers
2	12-1.75mm x 35mm Bolt Plate	8	8mm Lock Washers
2	10mm T-Block Bolt	2	6-1.0mm x 30mm Hex Bolts
2	6mm Nut Plate	2	6mm x 22mm x 2mm Flat Washers
2	12mm x 24mm OD x 3mm Flat Washers	2	6mm Lock Washers
2	12mm Lock Washers		



PROCEDURE:

- 1. REMOVE CONTENTS FROM BOX. VERIFY ALL PARTS ARE PRESENT. READ INSTRUCTIONS CAREFULLY BEFORE STARTING INSTALLATION. CUTTING IS REQUIRED.**
- Start installation under the driver side of the vehicle. Remove the front and middle section of the plastic splash guard, **(Figure 1A)**. Place the splash guard on a clean, stable work surface.
- Locate the driver side front mounting location, **(Figure 2)**. Remove the rubber plug from the hole closest to the tie down loop. Insert (1) 12mm x 30mm Bolt Plate into the factory hole, **(Figures 3 & 4)**.
- Next, select the driver side front Bracket, **(Figure 5)**. Attach the Bracket to the 12mm Bolt Plate with (1) 12mm Flat Washer, (1) 12mm Lock Washer and (1) 12mm Hex Nut, **(Figure 6)**. Leave loose.
- Line up the mounting tab on the Bracket with the factory hole at the point where the cross member joins the frame rail, **(Figures 2 & 6)**. Insert (1) 6mm Nut Plate into the larger inner hole and line up the nut with the hole toward the outside under the mounting tab on the Bracket, **(Figures 6—8)**.
- Attach the Mounting Bracket to the 6mm Nut Plate with (1) 6mm x 30mm Hex Bolt, (1) 6mm Lock Washer and (1) 6mm Flat Washer, **(Figure 9)**. Leave hardware loose at this time.
- Mark the outline of the location of the front Bracket onto the bottom of the vehicle for reference if necessary. Temporarily remove the front Bracket. Hold the plastic covers up in approximate location against the vehicle. Trace the location of the Bracket onto the plastic cover. Use a hack saw or utility

knife to cut out an opening 2" x 3-1/2" on the middle splash guard as pictured, **(Figure 11)**. Cut a 1-1/2" x 1-1/2" opening in the front cover, **(Figure 10)**. **IMPORTANT:** Due to different models and years of fitment, area to cut is for reference only. Hold Brackets in position on vehicle to determine appropriate area necessary to cut from splash guards. Cut as little as possible for best fit. Once splash guards are trimmed and checked for Bracket clearance, reinstall the splash guards using the factory fasteners.

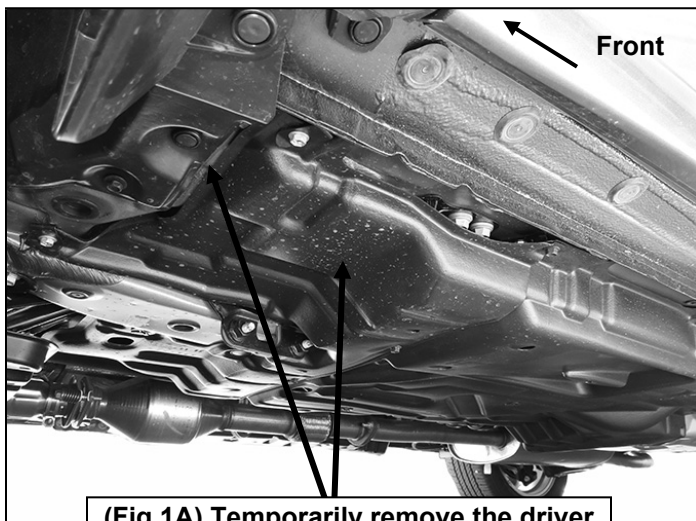
8. Reinstall the front Bracket as described in **Steps 4—6**. Do not tighten hardware at this time.
9. Next, move toward the rear and remove the rubber grommet located in the rear floor panel, **(Figure 12)**. Insert (1) 10mm T-Block Bolt into the oval factory hole, **(Figure 13)**. **NOTE:** Insert T-Bolt block up and into the hole. Rotate block 90-degrees so that block is supported across the oval hole, **(Figure 14)**.
10. Select the driver side rear Mounting Bracket, **(Figure 15)**. Attach the rear Bracket to the T-Bolt with the included (1) 10mm Flat Washer, (1) 10mm Lock Washer and (1) 10mm Hex Nut, **(Figure 16)**. Do not tighten hardware at this time.
11. Carefully position the driver Sidebar onto the Mounting Brackets. Use the included (4) 8mm x 25mm Hex Bolts, (4) 8mm Lock Washers and (4) 8mm Flat Washers to attach the Sidebar to the Mounting Brackets, **(Figure 17)**.
12. Align Sidebar properly and tighten all hardware at this time.
13. Repeat **Steps 2—12** for passenger Sidebar installation. **NOTE:** The passenger side splash guard is one piece, **(Figure 1B)**. Cut the openings in the splash guard in the same locations as described in **Step 6** or hold the passenger side Brackets in place to determine area to be cut from splash guard.
14. Do periodic inspections to the installation to make sure that all hardware is secure and tight.

To protect your investment, wax this product after installing. Regular waxing is recommended to add a protective layer over the finish. Do not use any type of polish or wax that may contain abrasives that could damage the finish.

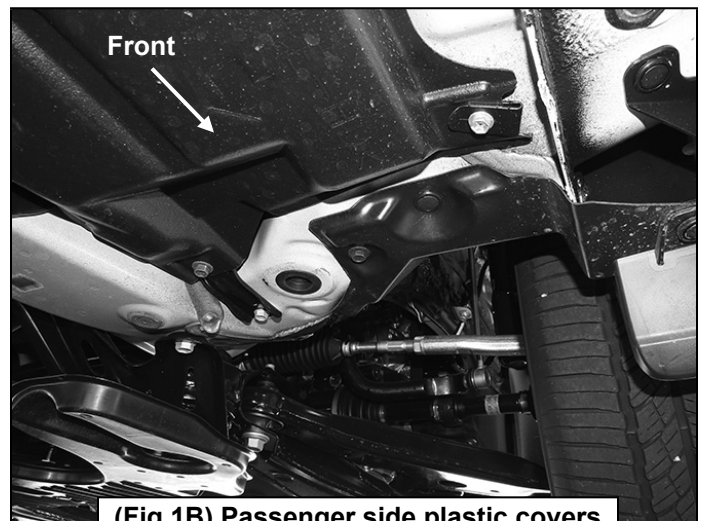
For stainless steel: Aluminum polish may be used to polish small scratches and scuffs on the finish. Mild soap may be used also to clean the Sidebar.

For gloss black finishes: Mild soap may be used to clean the Sidebar.

Driver Side Installation Pictured

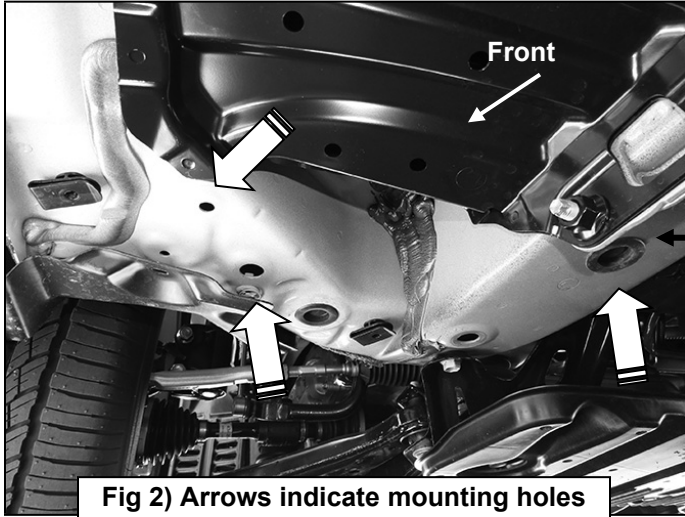


(Fig 1A) Temporarily remove the driver side front and middle plastic covers



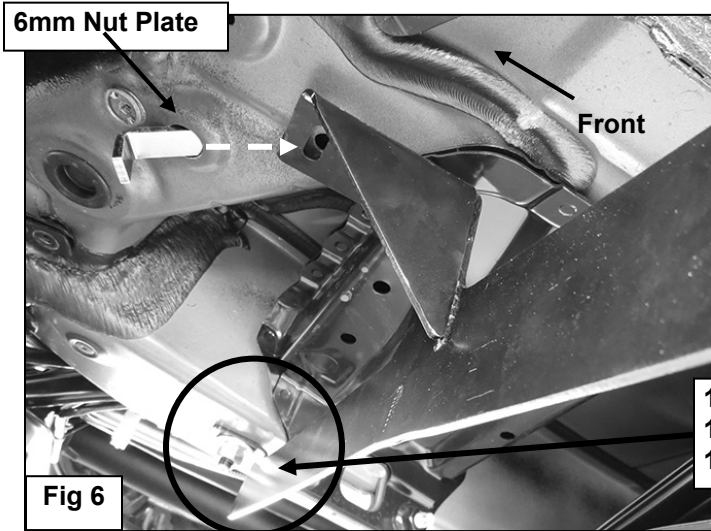
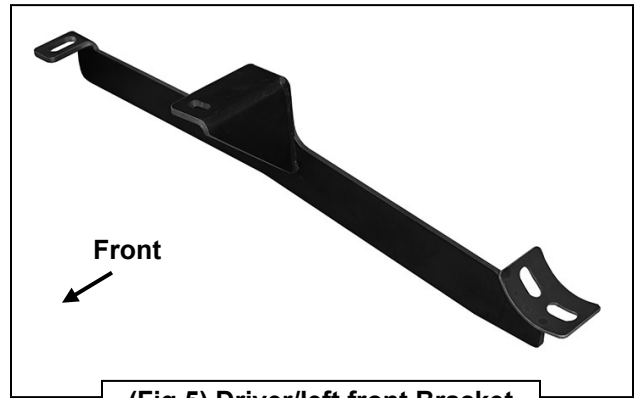
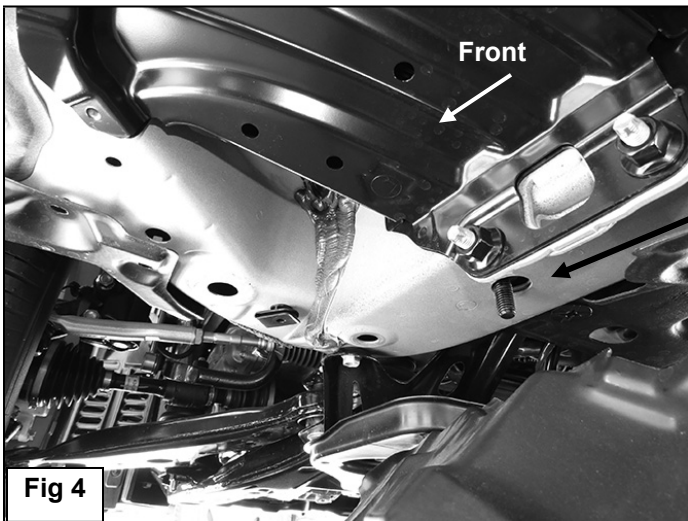
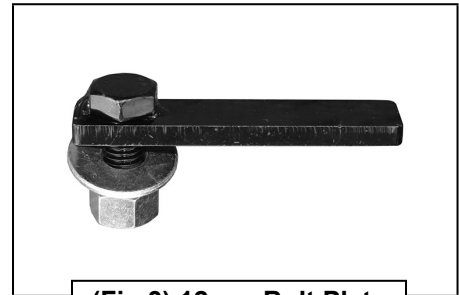
(Fig 1B) Passenger side plastic covers pictured over mounting location

Driver Side Installation Pictured



Tie down loop

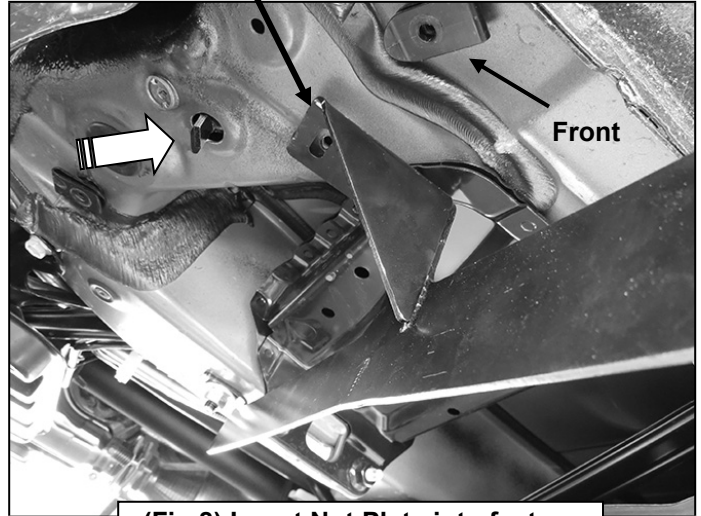
Remove rubber plug



Driver Side Installation Pictured



Line up Nut Plate with this hole and Bracket



(Fig 8) Insert Nut Plate into factory hole (also see Figures 2 & 6)

6mm x 30mm Hex Bolt
6mm Lock Washer
6mm Flat Washer

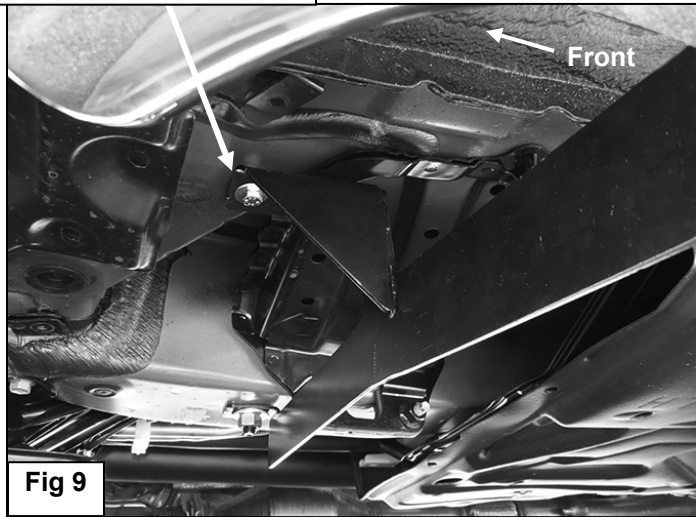
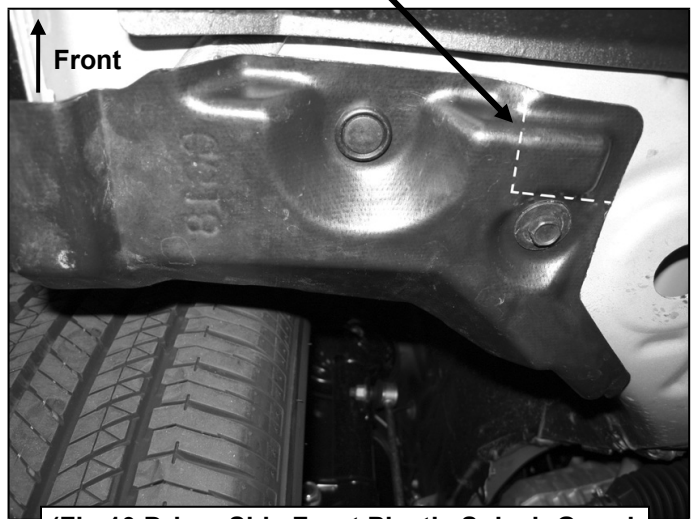


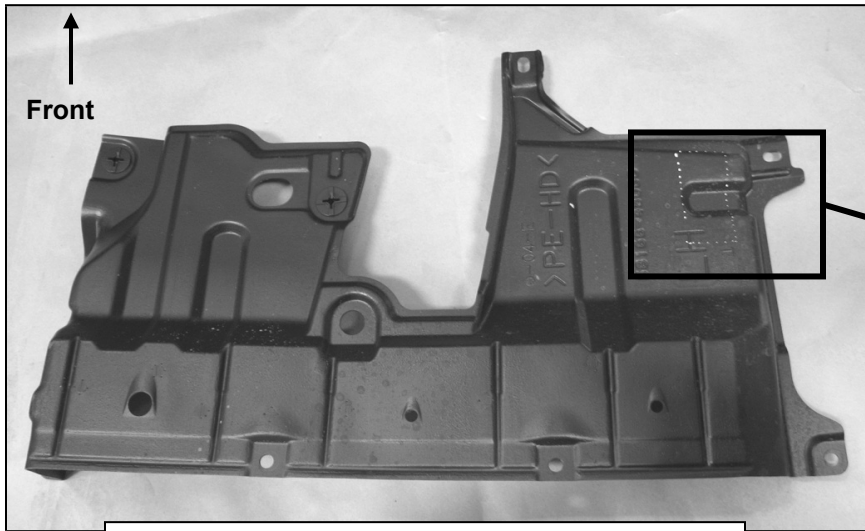
Fig 9

Cut plastic front cover where indicated if necessary to clear bent end of 6mm Nut Plate as necessary (actual cover may differ depending on model and year)

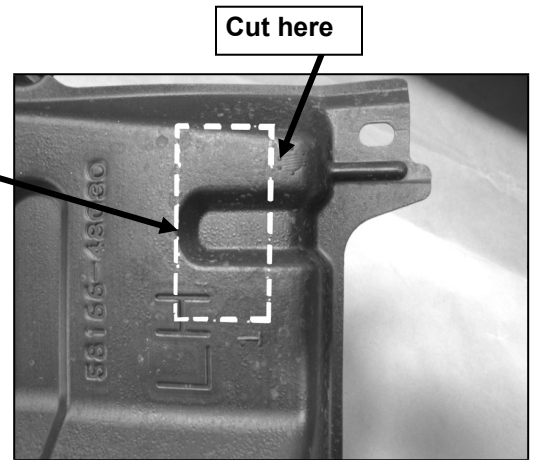


(Fig 10 Driver Side Front Plastic Splash Guard)

Driver Side Installation Pictured



(Fig11) Driver Side Middle Plastic Splash Guard



Cut where indicated to clear mounting tab on front Bracket only as necessary (actual cover may differ depending on model and year). Remove front Bracket to reinstall the plastic covers

Remove rubber plug

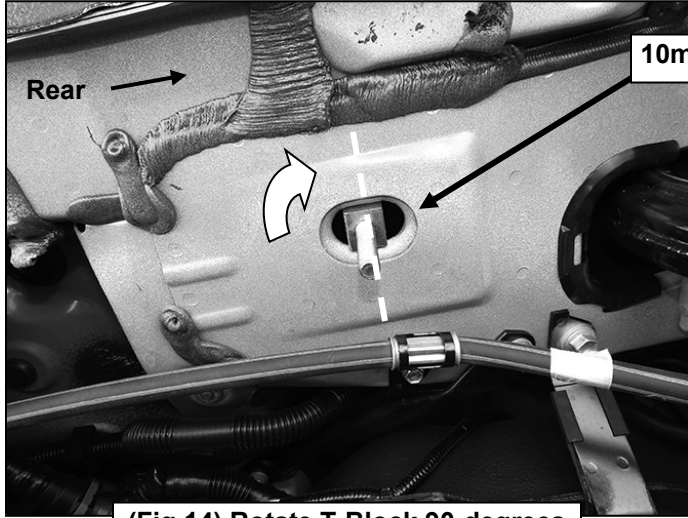


(Fig 12) Driver side rear location pictured

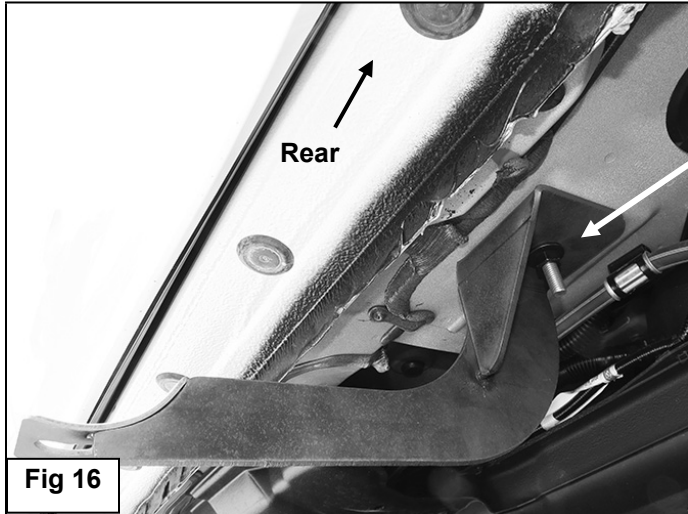
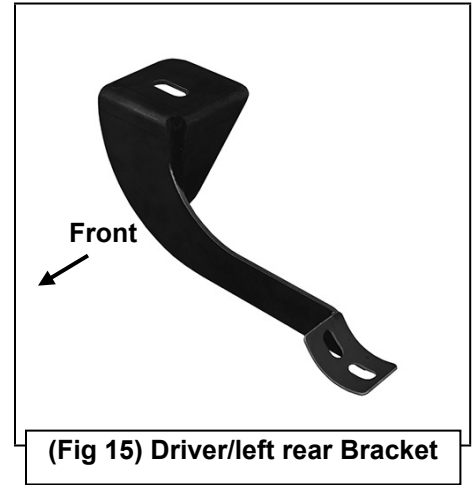


(Fig 13) 10mm T-Block Bolt

Driver Side Installation Pictured



(Fig 14) Rotate T-Block 90-degrees to go across the oval hole



8mm x 25mm Hex Bolts
8mm Lock Washers
8mm Flat Washers

