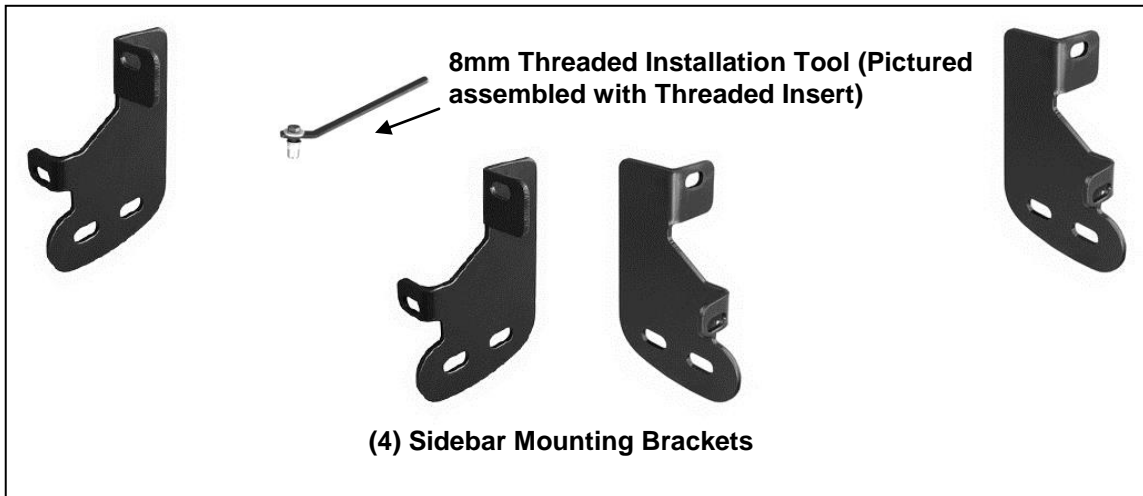


**PARTS LIST:**

1	Driver/Left Sidebar	8	12mm Nylon Lock Nuts
1	Passenger/Right Sidebar	4	10-1.50mm x 25mm Hex Bolts
4	Mounting Brackets (all 4 same bracket)	8	10mm x 20mm OD x 2mm Flat Washers
4	8mm Threaded Inserts	4	10mm Nylon Lock Nuts
1	8mm Insert Tool W/Bent Handle	5	8-1.25mm x 30mm Hex Bolts
8	12-1.75mm x 40mm Hex Bolts	4	8mm x 24mm OD x 2mm Flat Washers
16	12mm x 24mm OD x 2.5mm Flat Washers	4	8mm Lock Washers



**PROCEDURE:**

- 1. REMOVE CONTENTS FROM BOX. VERIFY ALL PARTS ARE PRESENT. READ INSTRUCTIONS CAREFULLY BEFORE STARTING INSTALLATION.**
- Starting at the front-passenger side of the vehicle, locate the hex shaped hole in the inner body panel, **(Figure 1)**. Assemble the Threaded Insert Tool as shown in **Figure 2A**. Insert the Threaded Insert assembly into the hex shaped hole. Firmly hold the assembly in place by the handle on the tool, **(Figure 2B)**, and tighten the hex bolt on the assembly until the Threaded Insert has fully expanded and is locked in place, **(Figure 3)**. **NOTE:** Do not over tighten or pull-out may occur. Once the Threaded Insert is properly installed, remove the hex bolt and tool from the Insert. Repeat this step for the rest of the Threaded Inserts required for this installation.
- Remove the plastic trim strip covering the pinch weld at the bottom of the body. Use a pair of pliers to gently squeeze the tabs on the clips together to release the clip from inside of the body panel and push it back through the hole in the pinch weld, **(Figure 3)**. **NOTE:** Carefully release the clips so the trim strip can be reinstalled using the original hardware.
- Select (1) Mounting Bracket. Line up the top mounting hole with the Threaded Insert and the lower hole with the hole in the pinch weld. Bolt the Mounting Bracket to the Threaded Insert with (1) 8mm x 30mm Hex Bolt, (1) 8mm Flat Washer and (1) 8mm Lock Washer, **(Figure 4)**. Bolt the remaining tab on the Bracket to the pinch weld with (1) 10mm x 25mm Hex Bolt, (2) 10mm Flat Washers and (1) 10mm Nylon Lock Nut, **(Figure 5)**. Snug but do not tighten hardware at this time.
- Repeat Steps 2-4 for the passenger side rear Mounting Bracket installation, **(Figure 6)**.

**3" SIDEBAR W/45-DEGREE ENDS  
04-10 DODGE DURANGO 4-DOOR**

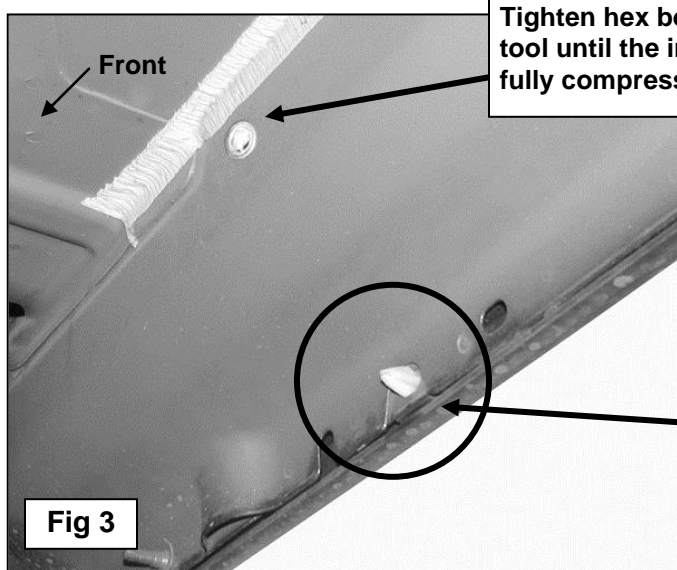
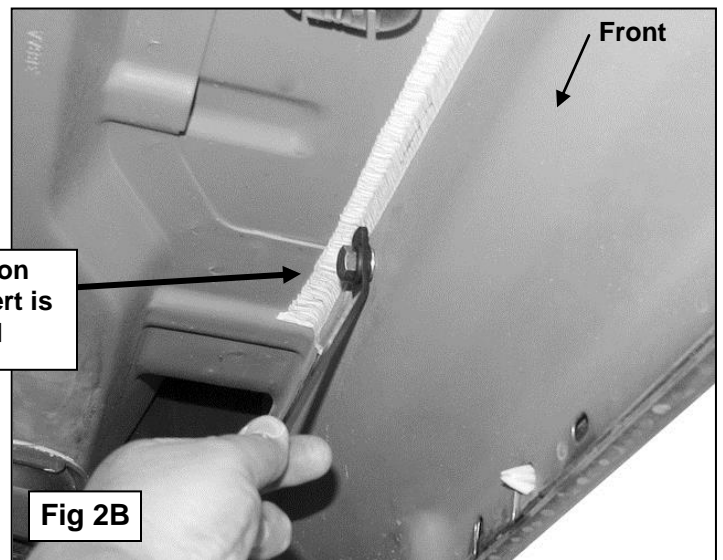
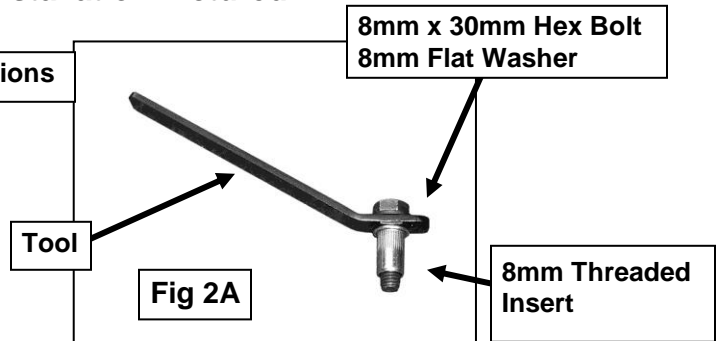
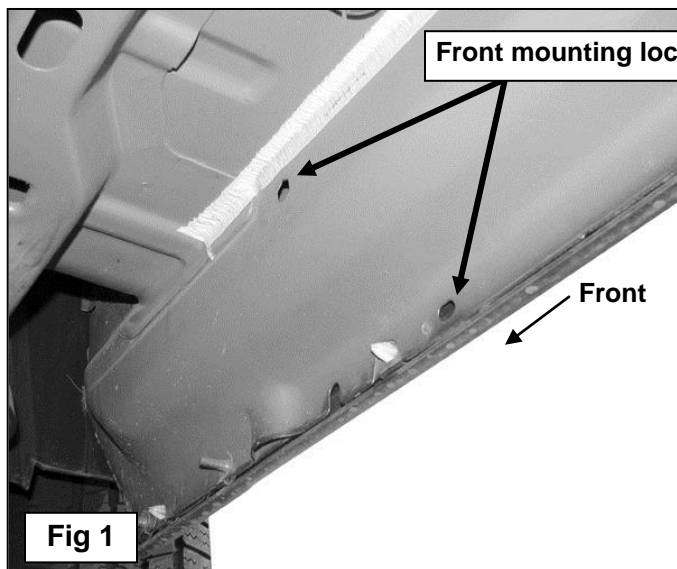
6. Carefully position the mounting tabs on the passenger Sidebar up to the Mounting Brackets. Align the holes on the Mounting Brackets with holes on the tabs on the Sidebar. Secure the Sidebar to the Mounting Brackets with (4) 12mm x 40mm Hex Bolts, (8) 12mm Flat washers and (4) 12mm Nylon Lock Nuts, (**Figure 7**). Snug but do not tighten hardware at this time.
7. Level and align the Sidebar with the vehicle and tighten all hardware.
8. Repeat steps 2-7 for the driver Sidebar installation.
9. Do periodic inspections to the installation to make sure all hardware is secure and tight.

**To protect your investment**, wax this product after installing. Regular waxing is recommended to add a protective layer over the finish. Do not use any type of polish or wax that may contain abrasives that could damage the finish.

**For stainless steel:** Aluminum polish may be used to polish small scratches and scuffs on the finish. Mild soap may be used also to clean the Sidebar.

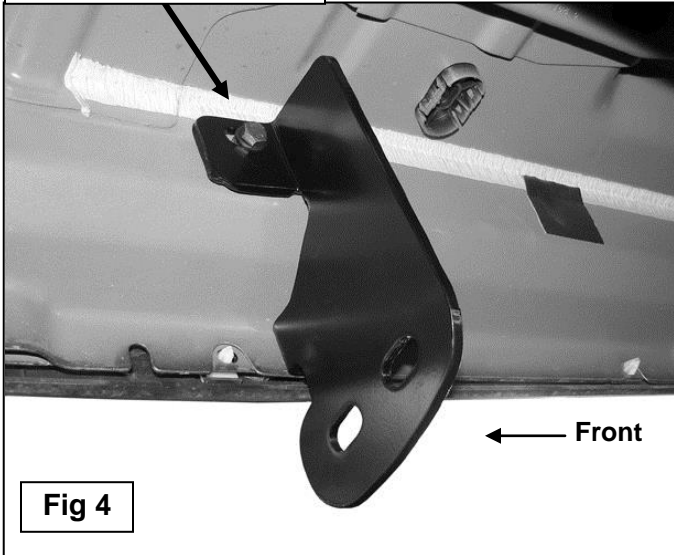
**For gloss black finishes:** Mild soap may be used to clean the Sidebar.

**Passenger Side Installation Pictured**

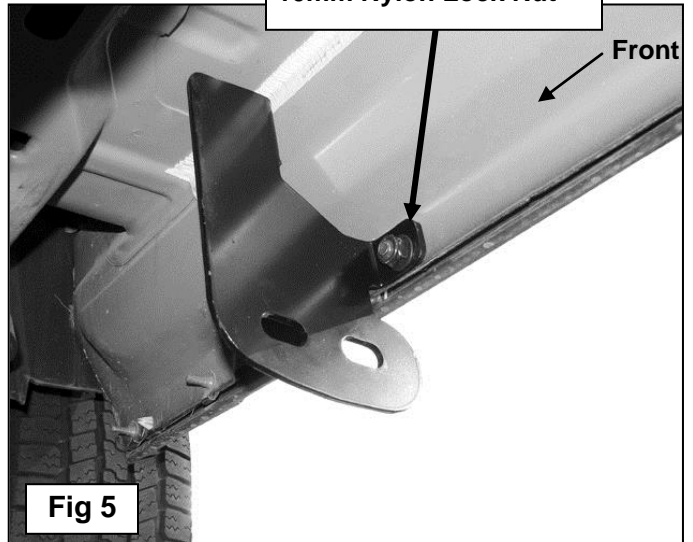


Passenger Side Installation Pictured

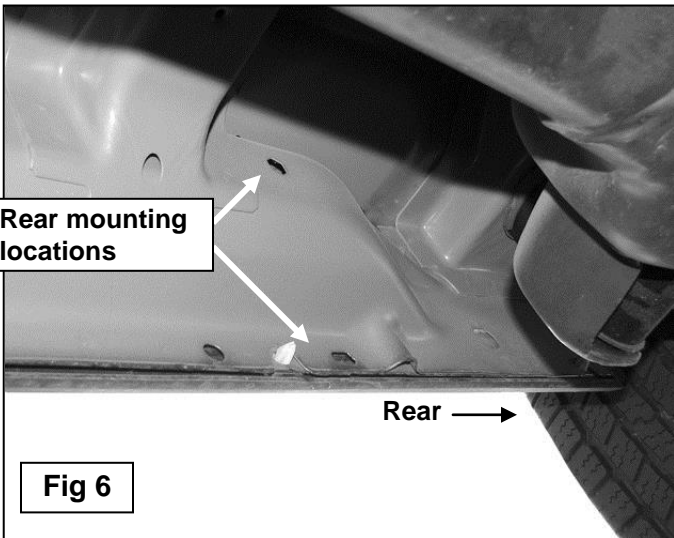
8mm x 30mm Hex Bolt  
8mm Lock Washer  
8mm Flat Washer



10mm x 25mm Hex Bolt  
(2) 10mm Flat Washers  
10mm Nylon Lock Nut



Rear mounting  
locations



(2) 12mm x 40mm Hex Bolts  
(4) 12mm Flat Washers  
(2) 12mm Nylon Lock Nut

