

**SIDEBAR WITH 90-DEGREE BENT ENDS**  
**02-13 AVALANCHE 1500/00-13 SUBURBAN 1500/00-13 YUKON XL 1500**  
**INCLUDES 02-06 AVALANCHE WITH LOWER BODY CLADDING**  
**EXCLUDES 00-06 SUBURBAN WITH CLADDING AND TUBE STEPS**  
**EXCLUDES 00-06 YUKON XL DENALI WITH BODY MOLDING**

**PARTS LIST:**

Qty	Description	Qty	Description
1	Driver/Left Sidebar	4	1/2" x 2" Hex Bolts
1	Passenger/Right Sidebar	10	1/2" Lock Washers
2	Front Mounting Brackets	10	1/2" Flat Washers
2	Center Mounting Brackets	2	8-1.25mm x 25mm Hex Bolts
1	Driver/Left Rear Mounting Bracket	2	8mm Lock Washers
1	Passenger/Right Rear Mounting Bracket	2	8mm x 24mm OD x 2mm Flat Washers
6	12-1.75mm x 120mm Hex Bolts		

**PROCEDURE:**

**REMOVE CONTENTS FROM BOX. VERIFY ALL PARTS ARE PRESENT. READ FACTORY BODY BOLT REMOVAL INSTRUCTIONS AND INSTALLATION INSTRUCTIONS CAREFULLY BEFORE STARTING INSTALLATION. REMOVE FACTORY OR AFTERMARKET RUNNING BOARDS.**

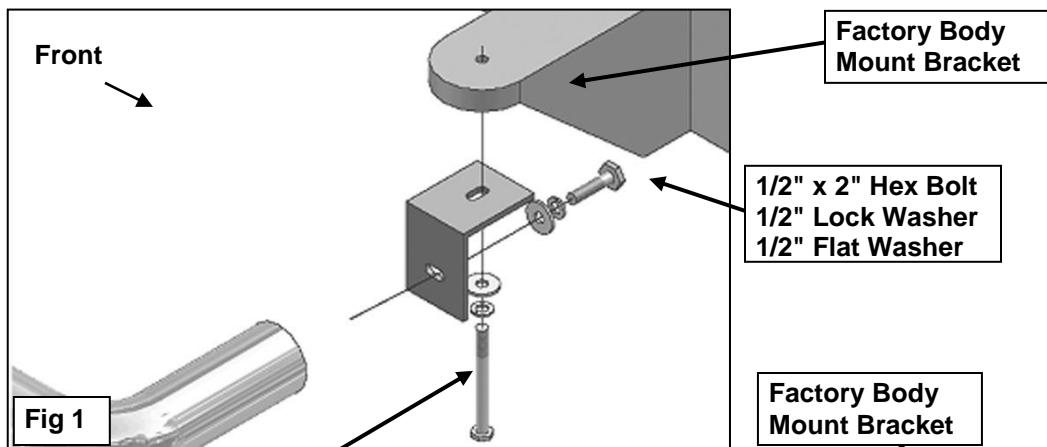
1. Start the installation under the passenger side of the vehicle. Remove the long 12mm hex bolt in the front body mount, **(Figure 1)**. Do not remove the rubber bushings.
2. Select the passenger side front Bracket. **NOTE:** Select the front bracket that will install with the welded gusset towards the back of the vehicle. Bolt the Bracket to the body mount using the factory hex bolts. **IMPORTANT:** On some model years, the factory bolt and flat washer cannot be reinstalled due to Bracket interference. Replace the (6) factory hex bolts and washers with the included 12mm x 120mm Hex Bolts, 12mm Lock Washers and 12mm Large Flat Washers. Do not tighten hardware at this time.
3. Repeat **Steps 1 & 2** to install the passenger side center Bracket, **(Figure 2)**. Leave hardware loose at this time.
4. Continue along the side of the vehicle to the rear body mount. Select the passenger side rear Mounting Bracket, **(Figure 3)**. **NOTE:** The passenger side rear Bracket has the wide gusset; the driver side has the narrow gusset to clear the emergency brake cables, **(Figures 2 & 3)**. Repeat **Steps 1 & 2** to install the rear Bracket, **(Figure 4)**. Do not tighten hardware at this time.
5. Select the passenger Sidebar, **(Figure 5)**. Carefully position the Sidebar up to the front and rear Mounting Brackets. Attach the Sidebar to the Mounting Brackets with (2) 1/2" x 2" Hex Bolts, (2) 1/2" Lock Washers and (2) 1/2" Flat Washers, **(Figures 1 & 3)**. Do not tighten hardware.
6. Attach the center Bracket to the threaded insert in the center of the Sidebar with (1) 8mm x 25mm Hex Bolt, (1) 8mm Lock Washer and (1) 8mm Flat Washer, **(Figure 4)**.
7. Level and adjust the Sidebar and tighten the front and rear Bracket hardware first, then tighten the center Bracket hardware.
8. Repeat **Steps 2—7** for driver Sidebar installation.
9. Do periodic inspections to the installation to make sure that all hardware is secure and tight.

**To protect your investment**, wax this product after installing. Regular waxing is recommended to add a protective layer over the finish. Do not use any type of polish or wax that may contain abrasives that could damage the finish.

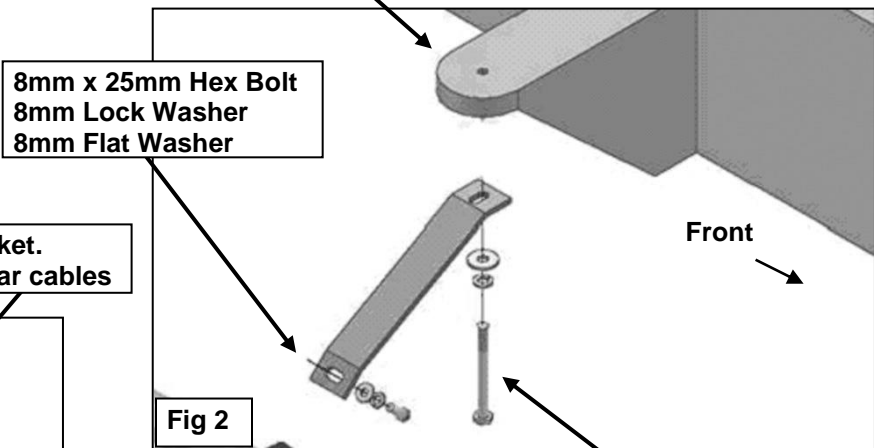
**For stainless steel:** Aluminum polish may be used to polish small scratches and scuffs on the finish. Mild soap may be used also to clean the Sidebar.

**For gloss black finishes:** Mild soap may be used to clean the Sidebar.

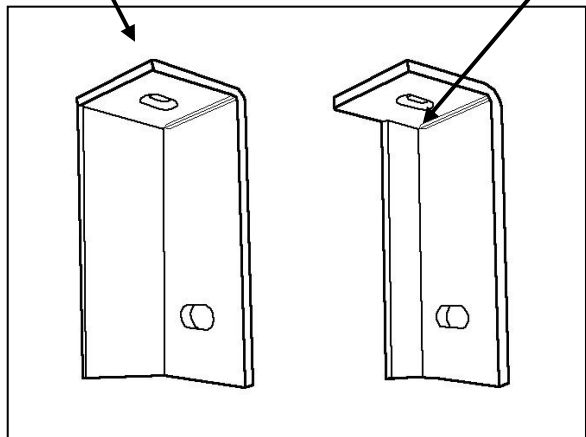
**SIDEBAR WITH 90-DEGREE BENT ENDS**  
**02-13 AVALANCHE 1500/00-13 SUBURBAN 1500/00-13 YUKON XL 1500**  
**INCLUDES 02-06 AVALANCHE WITH LOWER BODY CLADDING**  
**EXCLUDES 00-06 SUBURBAN WITH CLADDING AND TUBE STEPS**  
**EXCLUDES 00-06 YUKON XL DENALI WITH BODY MOLDING**  
**Passenger Side Installation Pictured**



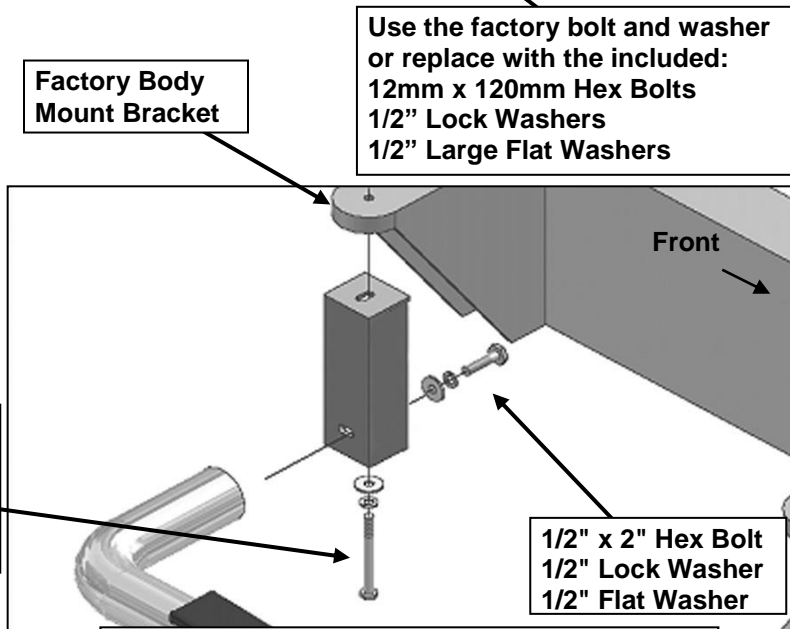
Use the factory bolt and washer or replace with the included:  
 12mm x 120mm Hex Bolts  
 1/2" Lock Washers  
 1/2" Large Flat Washers



Passenger side rear Bracket  
 Driver side rear Bracket.  
 Narrow gusset to clear cables



(Fig 3) Back of rear Brackets illustrated



(Fig 4) Passenger side rear Bracket illustrated

**SIDEBAR WITH 90-DEGREE BENT ENDS**  
**02-13 AVALANCHE 1500/00-13 SUBURBAN 1500/00-13 YUKON XL 1500**  
**INCLUDES 02-06 AVALANCHE WITH LOWER BODY CLADDING**  
**EXCLUDES 00-06 SUBURBAN WITH CLADDING AND TUBE STEPS**  
**EXCLUDES 00-06 YUKON XL DENALI WITH BODY MOLDING**

