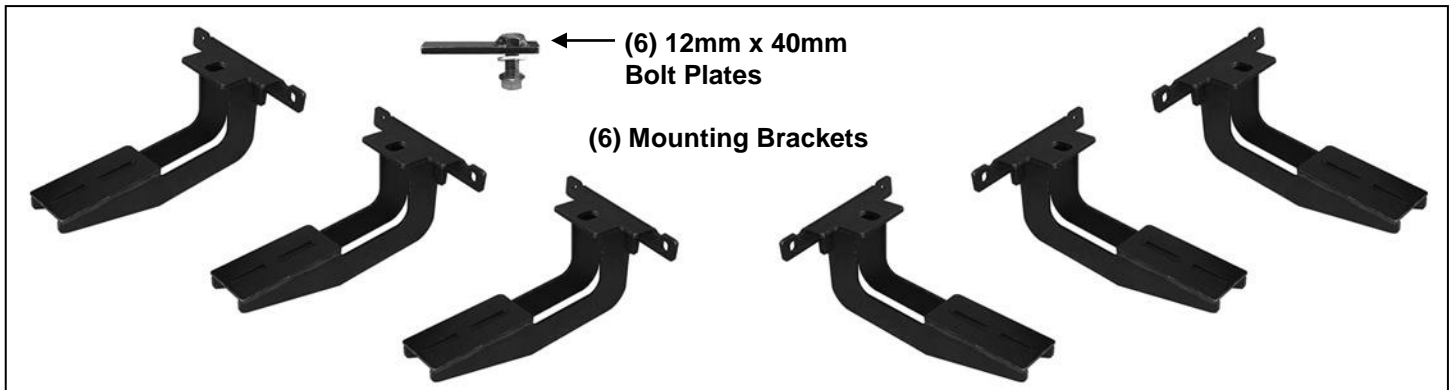


**STX200 RUNNING BOARDS
2011-14 JEEP GRAND CHEROKEE
EXCLUDES SRT & TRAILHAWK MODELS**

Parts List:

2	Running Boards	12	6mm "T" Bolts
6	Mounting Brackets	12	6-1.0mm x 25mm Hex Bolts
6	12-1.75mm x 40mm Bolt Plates	24	6mm x 22mm OD x 2mm Large Flat Washers
6	12mm Serrated Flange Nuts	12	6mm x 18mm OD x 1.6mm STD Flat Washers
6	12mm x 24mm OD x 2.5mm Flat Washers	12	6mm Lock Washers
6	12mm Plastic Retainers	12	6mm Hex Nuts
		12	6mm Nylon Lock Nuts



PROCEDURE:

REMOVE CONTENTS FROM BOX. VERIFY ALL PARTS ARE PRESENT. READ INSTRUCTIONS CAREFULLY BEFORE STARTING INSTALLATION. RUNNING BOARDS ARE NOT COMPATIBLE WITH "ROCK RAIL" ROCKER PANEL GUARDS.

- Starting at the driver side, locate the (3) pairs of factory holes in the pinch weld, **(Figure 1 & 2)**. Move toward the front pair. Remove the rubber plug filling the oval hole in the bottom of the rocker panel in front of the two holes, **(Figure 3)**. Select (1) 12mm Bolt Plate and (1) 12mm Plastic Retainer. Partially thread the Retainer onto the Bolt Plate. Insert the Bolt Plate into the hole and rotate it 90-degrees to go across the slot, **(Figure 4)**. Thread the Retainer all the way down the Bolt Plate and tight against the body panel, **(Figure 5)**. **NOTE:** The Plastic Retainer is designed to prevent the Bolt Plate from pushing up into the body panel and to aid in Bracket installation.
 - Select (1) Mounting Bracket and secure it to the Bolt Plate with (1) 12mm x 24mm Flat Washer and (1) 12mm Serrated Flange Nut, **(Figure 6)**. Do not tighten hardware at this time.
 - Line up the (2) small slots in the Bracket with the (2) holes in the pinch weld. Insert (1) 6mm x 25mm Hex Bolt with (1) 6mm x 18mm STD Flat Washer through the pinch weld and then the Bracket. Secure the Bracket to the Hex Bolt with (1) 6mm x 22mm Large Flat Washer and (1) 6mm Nylon Lock Nut over the Bracket, **(Figures 6 & 9)**. Do not tighten hardware at this time. Repeat for remaining mounting hole in Bracket and pinch weld. **NOTE:** Insert 6mm Hex Bolts with STD Flat Washers through the back of the pinch weld first, and then out through the Bracket.
- IMPORTANT:** The passenger side of the vehicle may have a wiring harness attached behind the pinch weld, **(Figure 7)**. Remove the hex nuts and drop the harness down before installing the Brackets, **(Figure 8)**. 6mm Hex Bolts install from the inside first, then through the Bracket to clear the harness, **(Figure 9)**. Snug but do not fully tighten hardware at this time.
- Repeat **Steps 1—3** to install the center and rear Brackets, **(Figure 9)**.
 - Select (1) Running Board. Insert (6) 6mm T-Bolts into the open ends of the channels, (3 T-Bolts per channel), in the bottom of the Running Board, **(Figure 10)**. Slide the T-Bolts into the approximate position in line with the (3) Brackets. Carefully place the Running Board in position on top of the Brackets. Slide the T-Bolts forward or back until they line up and drop into the slots on the Brackets.

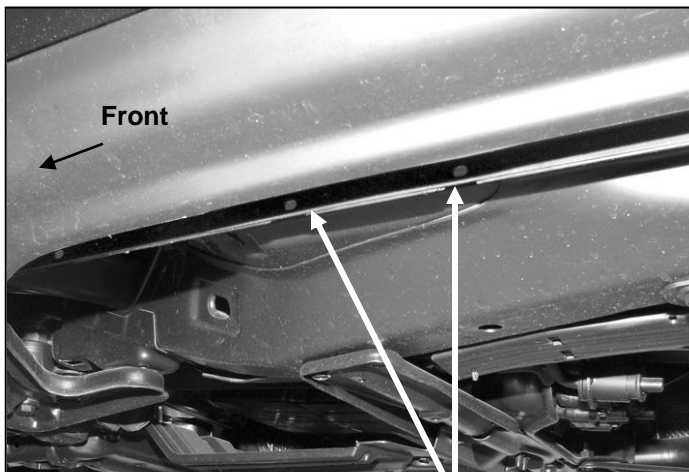
**STX200 RUNNING BOARDS
2011-14 JEEP GRAND CHEROKEE
EXCLUDES SRT & TRAILHAWK MODELS**

NOTE: It may be necessary to lower the Brackets to insert the Running Board between the Brackets and the vehicle. Loosen hardware as necessary.

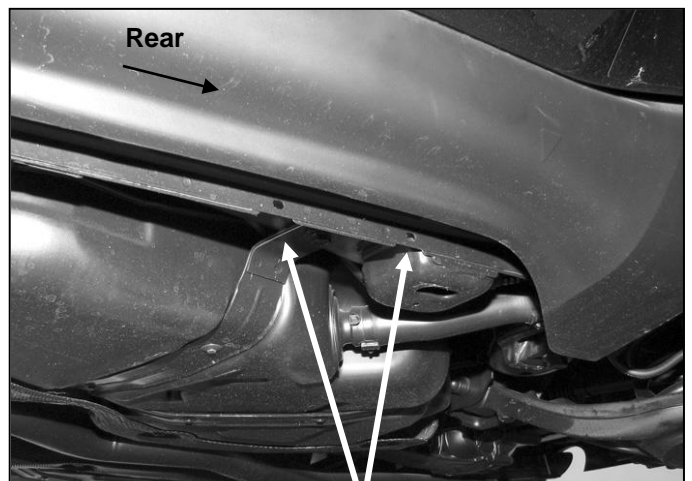
6. Secure the Running Board to the Brackets with (6) 6mm x 22mm Large Flat Washers, (6) 6mm Lock Washers and (6) 6mm Hex Nuts, **(Figure 11)**. Do not tighten hardware at this time.
7. Adjust and level the Running Board and tighten all hardware.
8. Repeat **Steps 1—7** for passenger/right Running Board installation. See important information in **Step 3**.
9. Do periodic inspections to the installation to make sure that all hardware is secure and tight.

To protect your investment, wax this product after installing. Regular waxing is recommended to add a protective layer over the finish. Do not use any type of polish or wax that may contain abrasives that could damage the finish. Aluminum polish may be used to polish small scratches and scuffs on the finish. Only use mild soap to clean the Running Board.

Driver Side Installation Pictured



(Fig 1) Driver side front mounting location pictured



(Fig 2) Driver side rear mounting location pictured

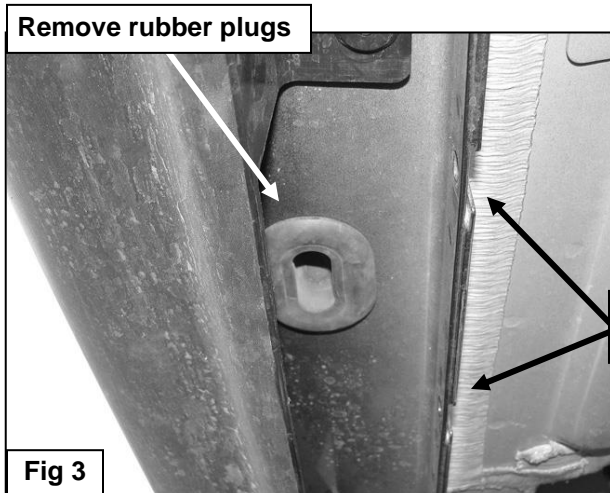


Fig 3

**STX200 RUNNING BOARDS
2011-14 JEEP GRAND CHEROKEE
EXCLUDES SRT & TRAILHAWK MODELS**

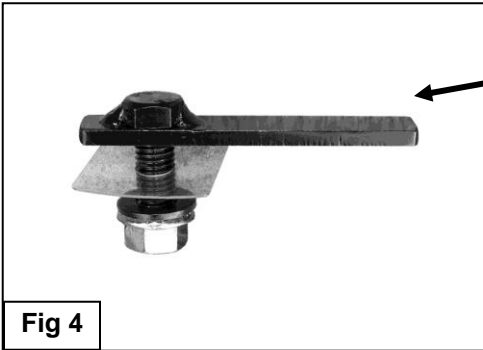


Fig 4

- (1) 12mm x 40mm Bolt Plate
- (1) 12mm Plastic Retainer
- (1) 12mm x 24mm Flat Washer
- (1) 12mm Flange Nut

After inserting, rotate Bolt Plate 90-degrees to go across the slot or until Bolt Plate stops

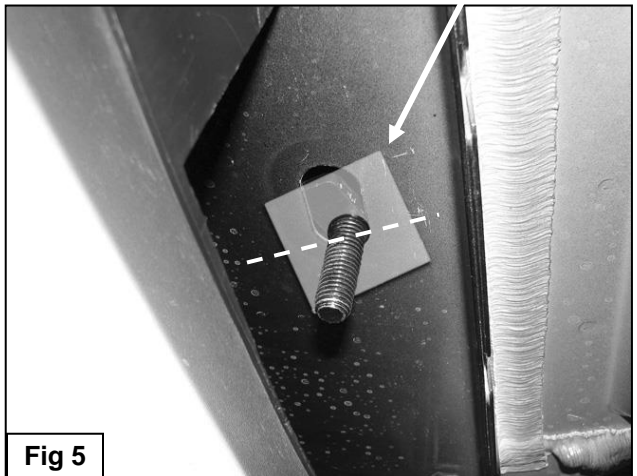


Fig 5

- 6mm x 25mm Hex Bolts
- 6mm x 18mm STD Flat Washers

- 6mm x 22mm Large Flat Washers
- 6mm Nylon Lock Nuts

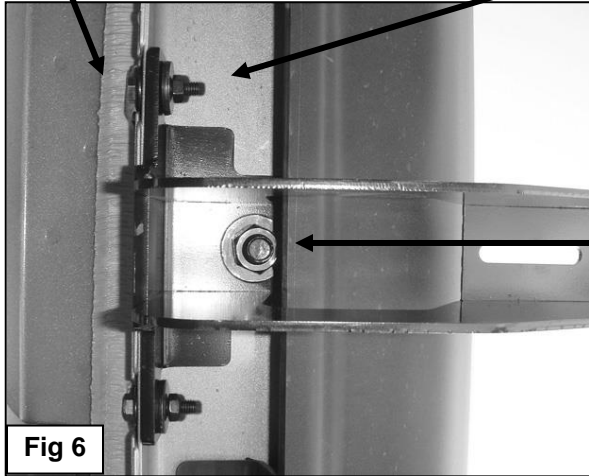


Fig 6

- (1) 12mm x 24mm Flat Washer
- (1) 12mm Flange Nut



(Fig 7) Passenger side pictured from below



(Fig 8) Passenger side pictured

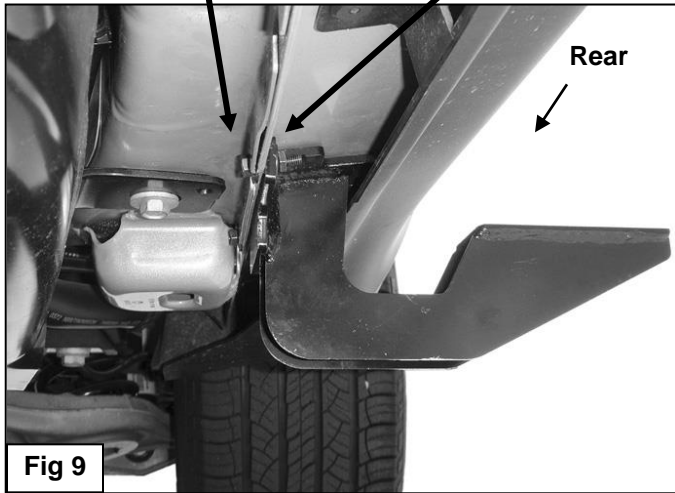
Remove hex nuts from wiring harness. Drop harness down to install Brackets.

**STX200 RUNNING BOARDS
2011-14 JEEP GRAND CHEROKEE
EXCLUDES SRT & TRAILHAWK MODELS**

Driver Side Installation Pictured

6mm x 25mm Hex Bolts
6mm x 18mm STD Flat Washers

6mm x 22mm Large Flat Washers
6mm Nylon Lock Nuts



(Fig 10) Slide 6mm T-Bolts into slots at end of Running Board

6mm x 22mm Large Flat Washer
6mm Lock Washer
6mm Hex Nut

