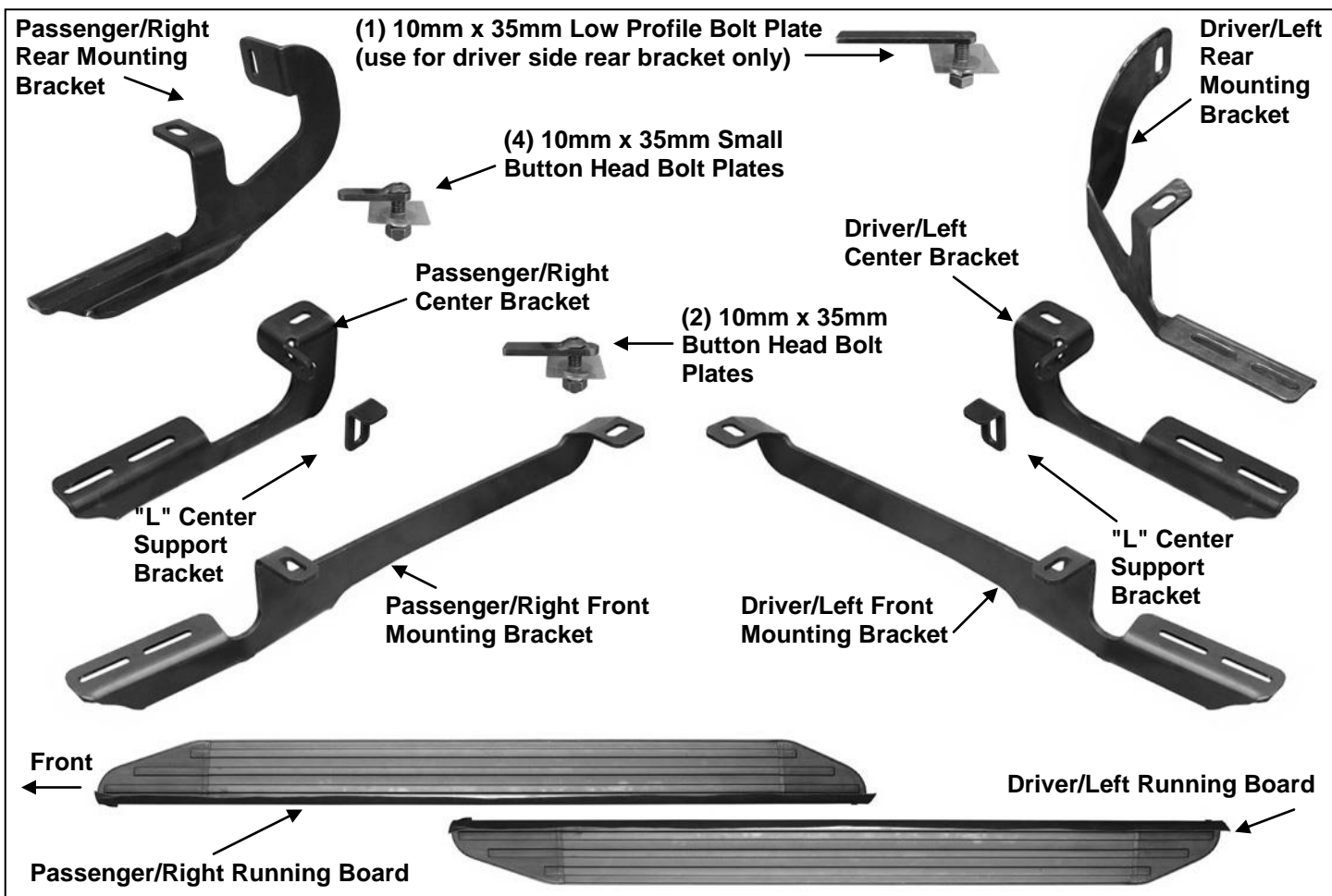


**ALUMINUM VIEWPOINT RUNNING BOARDS
2013 HYUNDAI SANTA FE**

PARTS LIST:

	Description		Description
1	Driver/Left Side Running Board	7	10mm Plastic Retainer
1	Passenger/Right Side Running Board	7	10mm x 24mm x 2.2mm Flat Washer
1	Driver/Left Front Bracket	7	10mm Lock Washer
1	Passenger/Right Front Bracket	7	10-1.50mm Hex Nut
1	Driver/Left Center Bracket	12	6-1.0mm x 20mm T-Bolts
1	Passenger/Right Center Bracket	5	6mm x 25mm Hex Bolts
1	Driver Rear Bracket	17	6mm x 22mm OD x 2mm Flat Washer
1	Passenger Rear Bracket	4	6mm x 18mm OD x 1.6mm Flat Washers
2	Center "L" Cover Support Brackets	13	6mm Lock Washers
2	10-1.50mm x 35mm Button Head Bolt Plates	12	6mm Hex Nuts
4	10-1.50mm x 35mm Small Button Head Bolt Plates	4	6mm Nylon Lock Nuts
1	10-1.50 x 35mm Special Low Profile Bolt Plate		



PROCEDURE:

1. REMOVE CONTENTS FROM BOX. VERIFY ALL PARTS ARE PRESENT. READ INSTRUCTIONS CAREFULLY BEFORE STARTING INSTALLATION. CUTTING AND DRILLING IS REQUIRED.
2. Starting on the driver side of the vehicle, locate and remove the rubber plugs in the bottom of the inner frame channel and in the bottom of the outer body panel next to the pinch weld, (Figures 1B & 2A).

NOTE: All mounting locations may be covered with sealant or thick undercoating. Brackets must fit flush against sheet metal. Scrape off any excess sealant or undercoating.

3. Partially thread (1) 10mm Plastic Retainer onto (1) 10mm x 35mm Button Head Bolt Plate, (Figure 1A). Insert the Bolt Plate into the inner hole in the bottom of the frame channel, (Figure 1B). Thread the Retainer all the way down against the sheet metal. **NOTE:** The Plastic Retainer is designed to help hold the Bolt Plate in place during Bracket installation.
4. Next, insert (1) 10mm x 35mm Small Bolt Plate with (1) 10mm Plastic Retainer into the outer hole in the bottom of the body panel next to the pinch weld, (Figures 2A & 2B) as previously described in Step 3. Select the driver side Front Bracket. Hang the Bracket from the (2) Bolt Plates with the supplied (2) 10mm Flat Washers, (2) 10mm Lock Washers and (2) 10mm Hex Nuts, (Figures 3 & 4). Snug but do not fully tighten hardware at this time.
5. Move to the center mounting location mid way down the side of the vehicle. Locate and remove the last factory 6mm hex bolt holding the end of the plastic cover up to the vehicle, (Figure 5).
6. Select the driver side Center Bracket. Hold the Center Bracket up to the bottom of the body panel over the plastic cover and factory threaded hole, (Figure 6). Use a marker or removable tape, (masking tape for example), to trace the outline of the bracket onto the cover. Remove the cover. Cut out the marked section from the cover with a sharp knife or hacksaw blade, (Figure 8).
7. Bolt the Center Bracket to the threaded hole with the factory hex bolt, (Figure 7). Push the Bracket up against the back of the pinch weld. Mark the location of the slot in the Bracket onto the back of the pinch weld, (Figure 7). Remove the Center Bracket.
8. With a flat blade screwdriver, carefully pry the clips up and out attaching the bottom of the rocker panel cover to the bottom of the body, (Figure 5). Be very careful to release all of the bottom and inner clips. Also remove the screws and/or clips securing the rocker cover to the front and rear tire openings. Pull the cover away from the body only. **NOTE** it is not necessary but may be easier to completely remove the rocker cover. Carefully drill a 1/4" hole through the pinch weld in the location marked in Step 7, (Figure 7). Do not drill too close to the edge of the pinch weld. Do not allow drill motor or drill bit to come in contact with the plastic rocker panel cover while drilling.

IMPORTANT! Any cutting or drilling tool may break or shatter. Government regulations require safety glasses & equipment at all times when cutting or drilling.

9. Once the hole is drilled, reinstall the plastic cover removed in Step 6, (Figure 8). Reinstall the driver side Center Bracket as described in Step 7, (Figures 9A & 9B). Bolt the Bracket to the drilled hole in the pinch weld with (1) 6mm x 25mm Hex Bolt, (2) 6mm x 18mm Small Flat Washers and (1) 6mm Nylon Lock Nut. Leave hardware loose at this time. **NOTE:** It may be necessary to cut a small piece out of the rocker cover to clear the 6mm Hex Bolt in the pinch weld. Leave rocker cover loose at this time.
10. Select (1) "L" Center Support Bracket, (Figure 10A). Bolt the L-Bracket to the front of the Center Bracket with (1) 6mm x 25mm Hex Bolt, (2) 6mm x 22mm Large Flat Washers and (1) 6mm Nylon Lock Nut, (Figure 10B). Leave loose at this time.
11. Move toward the rear of the vehicle. Locate and remove the round rubber plug on the inner body panel. Next, remove the plug in the bottom of the body panel as described in Step 2, (Figure 2A for example). **NOTE:** Side of inner body panel may be covered with thick undercoating. Scrape undercoating off of body panel before installing the rear Bracket.
12. Thread (1) 10mm Plastic Retainer part way onto the special 10mm x 35mm Low Profile Bolt Plate, (Figure 11A). Insert the Bolt Plate with Retainer into the small round hole in the side of the body panel, (Figure 11B). Hold the threaded end of the Bolt Plate and thread the Plastic Retainer down until it is tight against the sheet metal.

**ALUMINUM VIEWPOINT RUNNING BOARDS
2013 HYUNDAI SANTA FE**

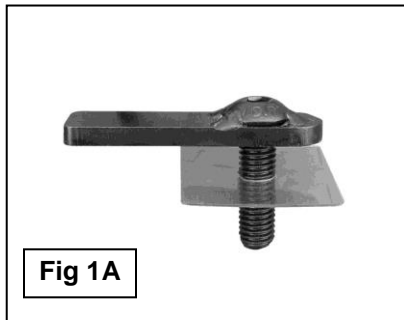
13. Insert (1) 10mm x 35mm Small Button Head Bolt Plate with (1) 10mm Plastic Retainer into the hole in the bottom of the body panel as described in **Step 2, (Figures 12A & 12B)**.
14. Select the driver side Rear Bracket. Slide the Bracket over the Low Profile Bolt Plate in the side of the body panel first, **(Figure 11B)**, then up and over the Bolt Plate in the bottom floor panel, **(Figure 12A)**. Bolt the Bracket to the (2) Bolt Plates with (2) 10mm Flat Washers, (2) 10mm Lock Washers and (2) 10mm Hex Nuts. **IMPORTANT:** Do not push the Low Profile Bolt Plate into the body panel during installation. Snug but do not tighten hardware at this time.
15. Carefully unwrap the driver side Running Board. From the front, slide (3) 6mm T-Bolts into each channel in the bottom of the Running Board, **(Figure 15)**. Slide the T-Bolts forward or back to line up with the slots in the (3) Mounting Brackets. Hold the Running Board up to the vehicle at a slight angle and gently push it into position against the rocker panel. Insert the T-Bolts through the slots in the Brackets but leave loose at this time. **NOTE:** It may be necessary to loosen, (but not remove), the Bracket hardware to insert the Running Board between the Brackets and the body. Once the Running Board is in the approximate position and the T-Bolts lined up with the (3) Brackets, attach the Running Board to the Mounting Brackets with the included (6) 6mm Flat Washers, (6) 6mm Lock Washers and (6) 6mm Hex Nuts, **(Figure 16)**. Do not tighten hardware.
16. Return to the Front Bracket. Tighten the front Bracket to vehicle hardware only. Leave the Running Board hardware loose.
17. Move to the Center Bracket and reinstall the plastic rocker cover using the factory clips and hardware. It may be necessary to trim a small piece from the inner cover to clear the 6mm Hex Bolt attaching the Center Bracket to the pinch weld, **(Step 10B)**. Only cut enough from the cover to clear the hardware. Tighten the 6mm bolt through the pinch weld first, and then tighten the 6mm factory hex bolt securing the Center Bracket to vehicle, **(Step 9A)**. Leave Running Board loose.
18. Push the bent end of the L-Support Bracket on the Center Bracket up tight against the plastic cover to help hold the cover up to the bottom of the vehicle and tighten the hardware, **(Step 10B)**.
19. Move to the rear Bracket. Level and adjust the Running Board properly and tighten the 10mm Hex Nut on the bottom of the body panel first, **(Step 12A)**. Level the rear of the running board with the front. Once properly adjusted, fully tighten the 10mm Bolt Plate hardware on the back of the body pane, **(Step 11B)**.
20. Align and adjust the running board and tighten all hardware.
21. Repeat **Steps 2 - 10** for passenger side front and center bracket installation only.
22. Move to passenger side rear location, **(Figure 13)**. Locate and remove the round rubber plug in the bottom of the body panel as described in **Step 2, (Figure 2A)**. Locate the 6mm threaded hole in the side of the inner body panel, **(Figure 14)**. **NOTE:** The threaded hole may be covered with sealing tape and/or thick undercoating. Also note that the passenger side rear Bracket installs in a different location than the driver side rear Bracket. Scrape undercoating off of the body panel to locate the threaded hole before installing the rear Bracket.
23. Insert (1) 10mm x 35mm Small Button Head Bolt Plate into the hole in the bottom of the body panel as described in **Steps 3 - 4, (Figure 13)**. Bolt the top mount on the Bracket to the threaded hole in the side of the body panel with (1) 6mm x 25mm Hex Bolt, (1) 6mm Lock Washer and (1) 6mm x 22mm Flat Washer, **(Figure 14)**. Snug but do not tighten hardware at this time.
24. Repeat **Steps 15 - 20** for passenger Running Board installation.
25. Do periodic inspections of the installation to make sure that all hardware is secure and tight.

To protect your investment, wax this product after installing. Regular waxing is recommended to add a protective layer over the finish. Do not use any type of polish or wax that may contain abrasives that could damage the finish.

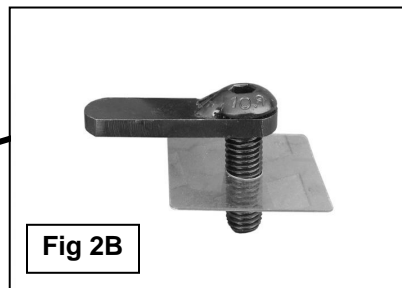
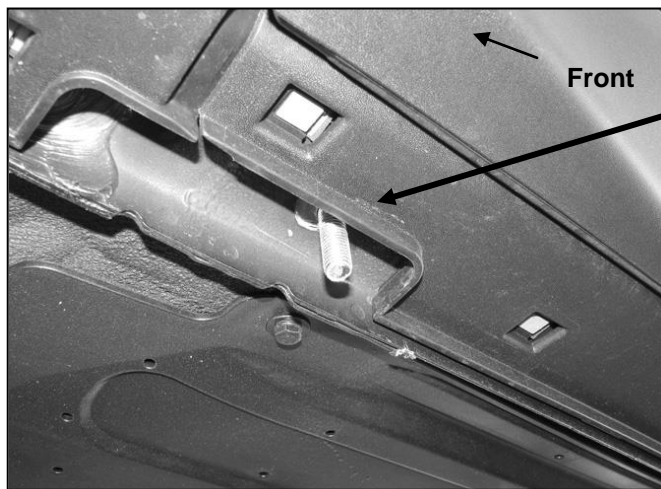
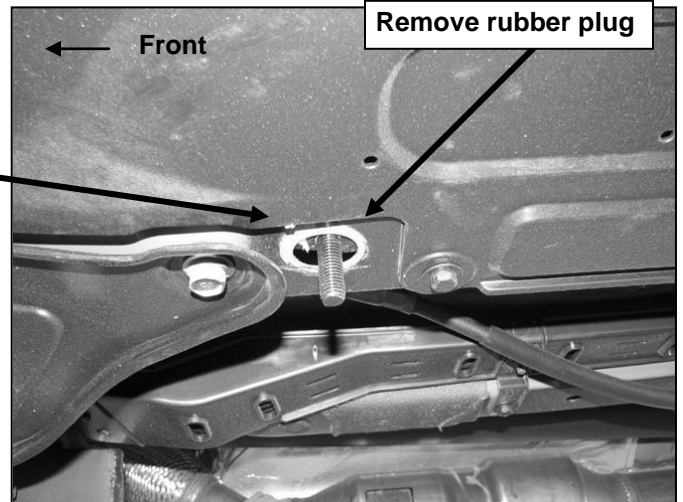
For stainless steel: Aluminum polish may be used to polish small scratches and scuffs on the finish. Mild soap may be used also to clean the Running Board.

For gloss black finishes: Mild soap may be used to clean the Running Board.

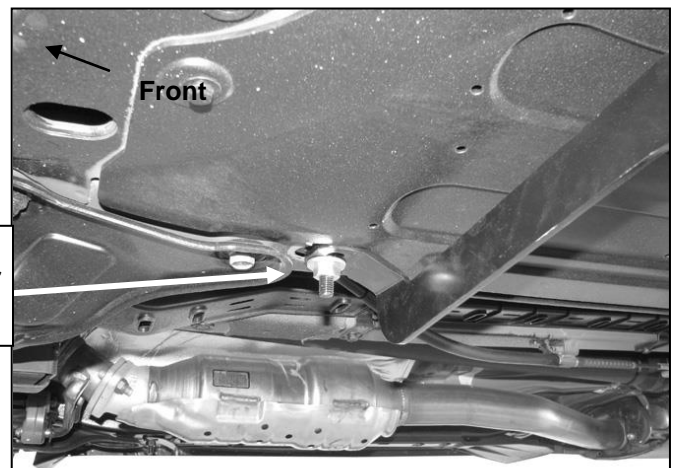
Driver Side Installation Pictured



10mm x 35mm Button Head Bolt Plate w/Retainer

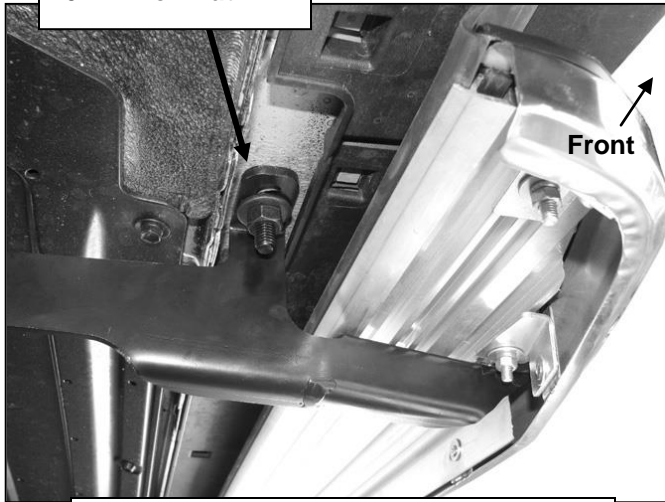


10mm x 35mm Small Bolt Plate w/retainer



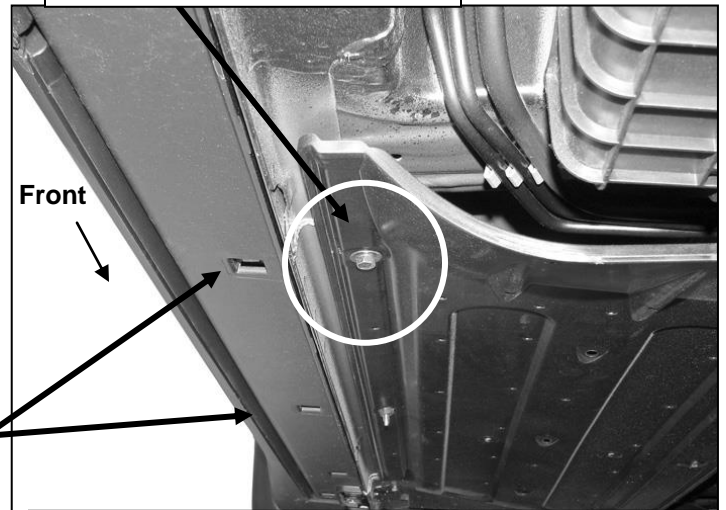
Driver Side Installation Pictured

10mm Flat Washer
10mm Lock Washer
10mm Hex Nut



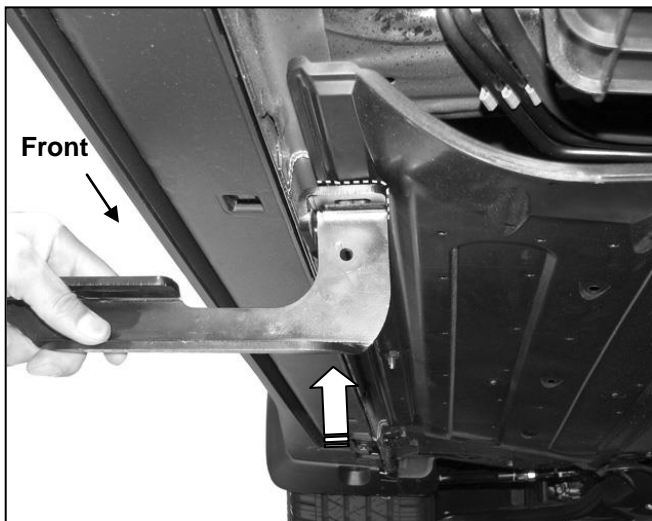
(Fig 4) Driver side front Bracket pictured

Remove the factory hex bolt
securing the end of the plastic
cover to the floor panel



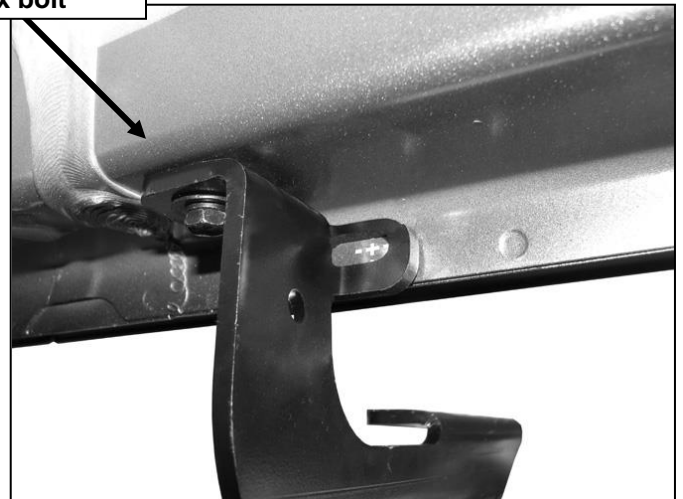
(Fig 5) Driver side center Bracket location pictured

Remove all factory
clips along body panel



(Fig 6) Hold the driver side center bracket up and over the threaded hole. Mark the outline of the Bracket onto the plastic cover. Remove the plastic cover.

Factory 6mm
hex bolt

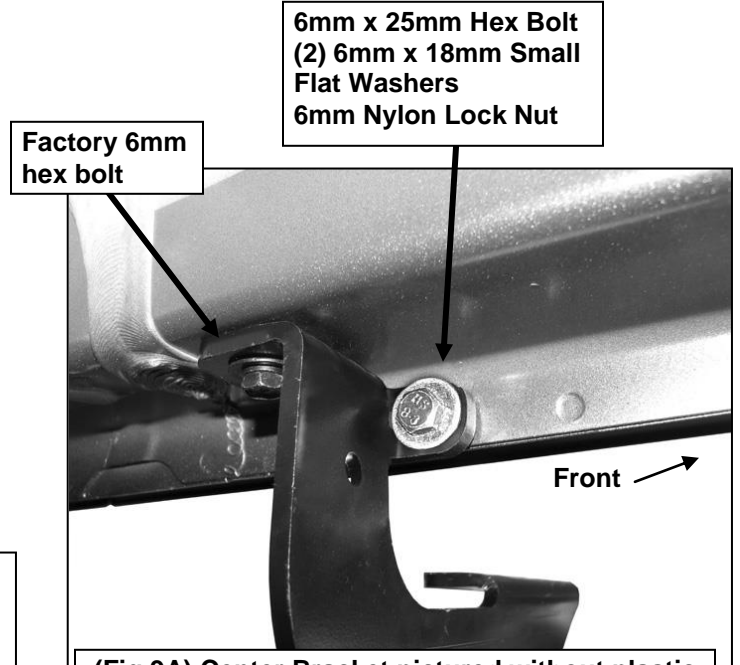


(Fig 7) Bolt the driver side center bracket in place. Mark the slot onto the pinch weld. Remove the Bracket and drill a 1/4" hole through the pinch weld

Driver Side Installation Pictured



(Fig 8) Cut only enough to clear the Bracket. Reinstall the plastic cover



(Fig 9A) Center Bracket pictured without plastic cover in place for instruction purposes only

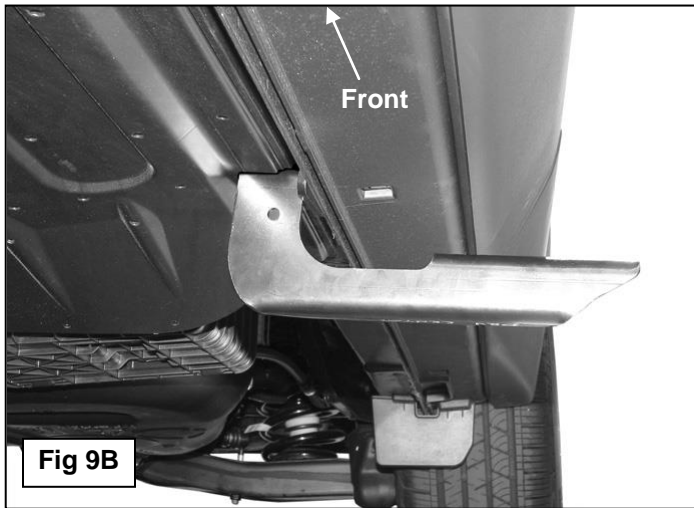


Fig 9B

6mm x 25mm Hex Bolt
(2) 6mm x 22mm Large Flat Washers
6mm Nylon Lock Nut

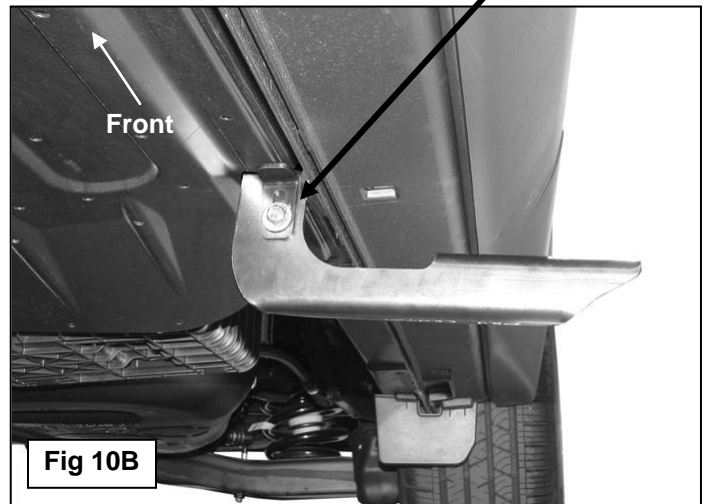


Fig 10B

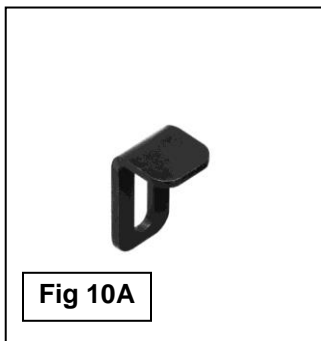
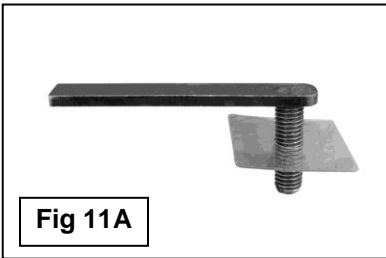


Fig 10A

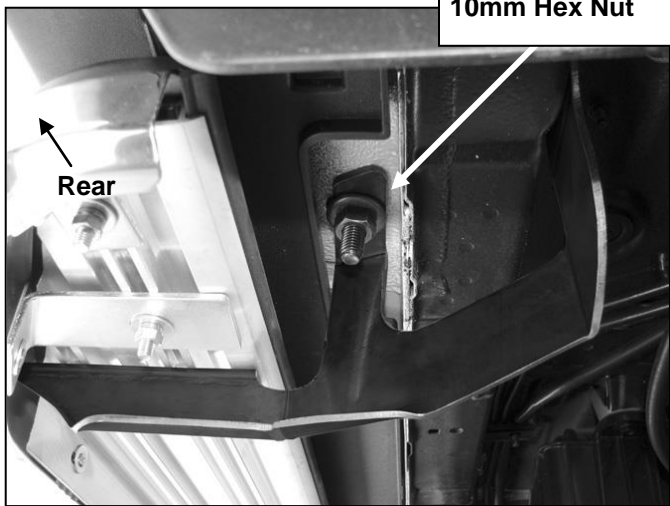


10mm x 35mm Low Profile Bolt Plate
10mm Plastic Retainer

10mm Flat Washer
10mm Lock Washer
10mm Hex Nut

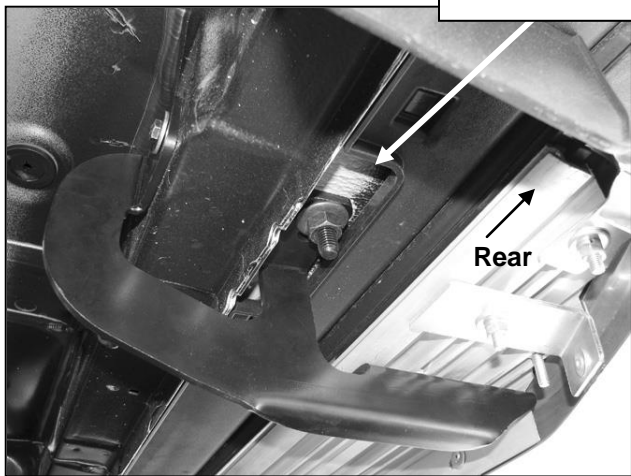
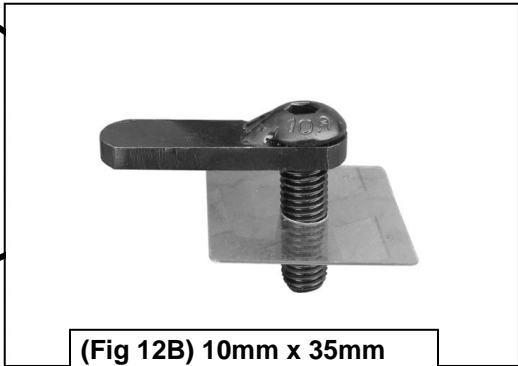


(Fig 11B) Driver side rear Bracket pictured



(Fig 12A) Driver side rear Bracket pictured

10mm Flat Washer
10mm Lock Washer
10mm Hex Nut

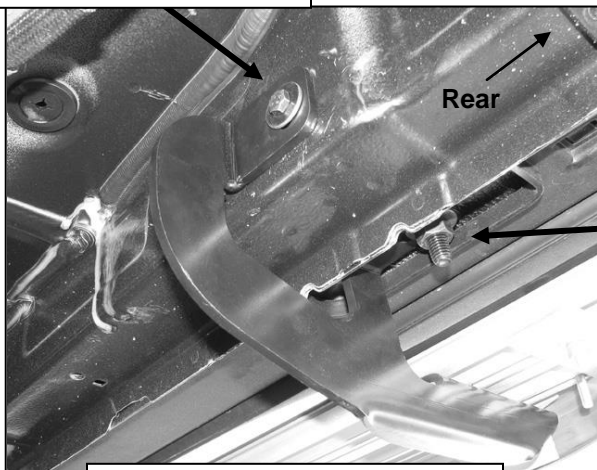


(Fig 13) Passenger side rear Bracket pictured

10mm Flat Washer
10mm Lock Washer
10mm Hex Nut

**ALUMINUM VIEWPOINT RUNNING BOARDS
2013 HYUNDAI SANTA FE**

6mm x 25mm Hex Bolt
6mm Lock Washer
6mm x 22mm Large
Flat Washer



10mm Flat Washer
10mm Lock Washer
10mm Hex Nut

**(Fig 14) Passenger side rear
Bracket installation pictured**

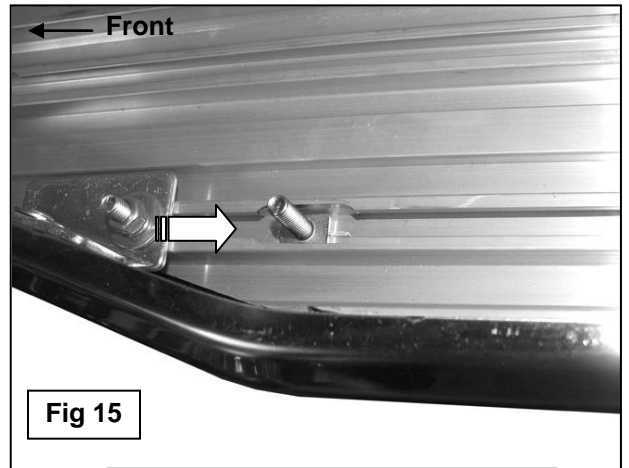


Fig 15

Insert (3) T-Bolts into each
channel and slide into position

(2) 6mm T-Bolts
(2) 6mm Flat Washers
(2) 6mm Lock Washers
(2) 6mm Hex Nuts

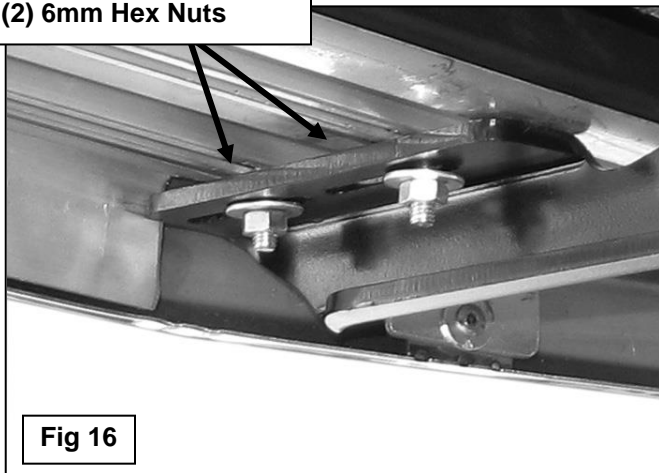
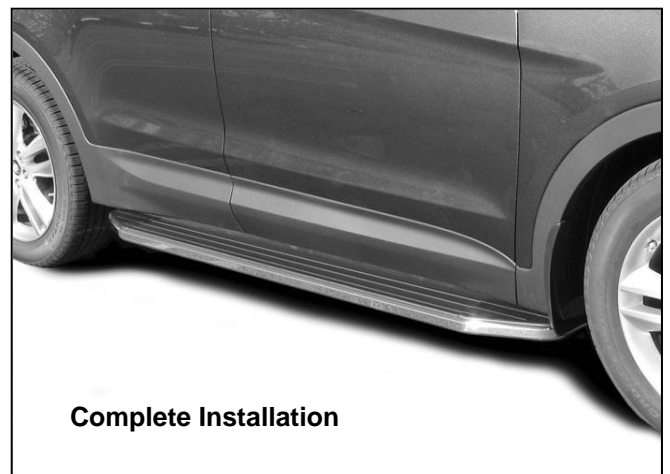


Fig 16



Complete Installation