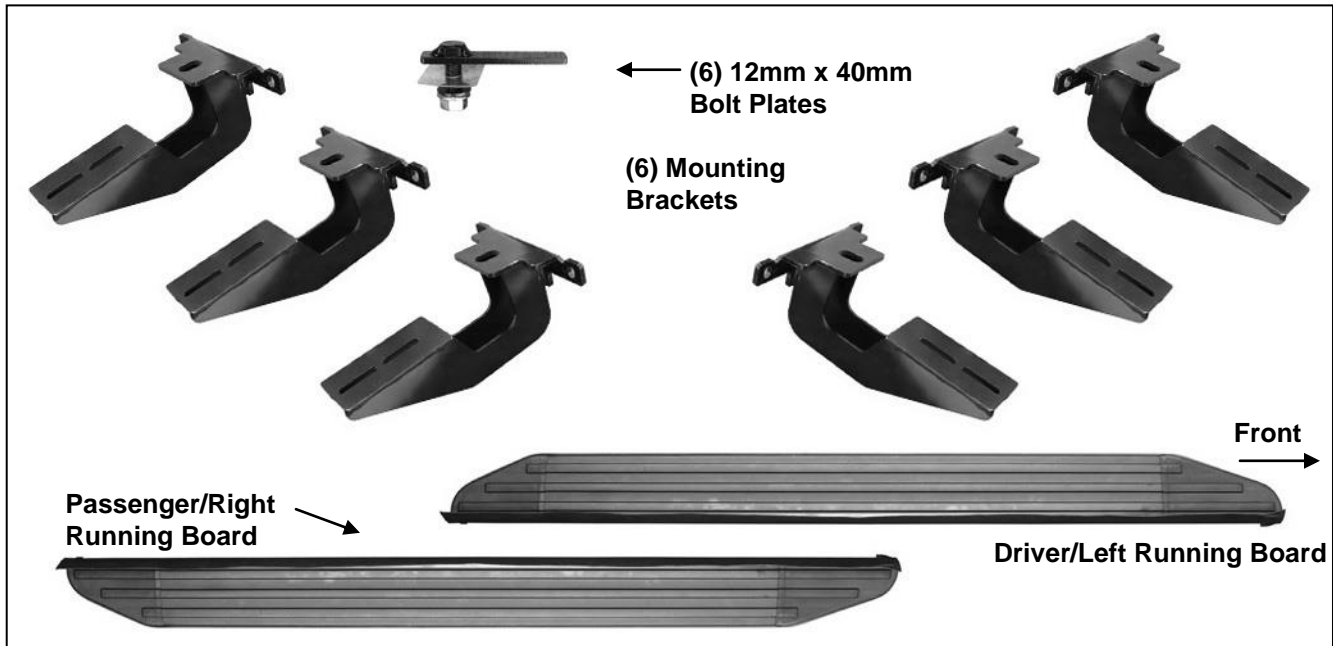


**VIEWPOINT ALUMINUM RUNNING BOARD
2011-14 JEEP GRAND CHEROKEE**

Parts List:

1	Driver/ Left Running Board	12	6mm "T" Bolts
1	Passenger/Right Running Board	12	6-1.0mm x 25mm Hex Bolts
6	Mounting Brackets	24	6mm x 22mm OD x 2mm Large Flat Washers
6	12-1.75mm x 40mm Bolt Plates	12	6mm x 18mm OD x 1.6mm STD Flat Washers
6	12mm Serrated Flange Nuts	12	6mm Lock Washers
6	12mm x 24mm OD x 2.5mm Flat Washers	12	6mm Hex Nuts
6	12mm Plastic Retainers	12	6mm Nylon Lock Nuts



PROCEDURE:

REMOVE CONTENTS FROM BOX. VERIFY ALL PARTS ARE PRESENT. READ INSTRUCTIONS CAREFULLY BEFORE STARTING INSTALLATION. EXCLUDES SRT8 AND TRAILHAWK.

- Starting at the driver side, locate the (3) pairs of factory holes in the pinch weld, **(Figure 1 & 2)**. Move toward the front pair. Remove the rubber plug filling the oval hole in the bottom of the rocker panel in front of the two holes, **(Figure 3)**. Select (1) 12mm Bolt Plate and (1) 12mm Plastic Retainer. Partially thread the Retainer onto the Bolt Plate. Insert the Bolt Plate into the hole and rotate it 90-degrees to go across the slot, **(Figure 4)**. Thread the Retainer all the way down the Bolt Plate and tight against the body panel, **(Figure 5)**. **NOTE:** The Plastic Retainer is designed to prevent the Bolt Plate from falling into the body cavity and to aid in installing the Bracket.
- Select (1) Mounting Bracket and secure it to the Bolt Plate with (1) 12mm x 24mm Flat Washer and (1) 12mm Serrated Flange Nut, **(Figure 6)**. Do not tighten hardware at this time.
- Line up the (2) small slots in the Bracket with the (2) holes in the pinch weld. Insert (1) 6mm x 25mm Hex Bolt with (1) 6mm x 18mm STD Flat Washer through the pinch weld and then the Bracket. Secure the Bracket to the Hex Bolt with (1) 6mm x 22mm Large Flat Washer and (1) 6mm Nylon Lock Nut over the Bracket, **(Figures 6 & 9)**. Do not tighten hardware at this time. Repeat for remaining mounting hole in Bracket and pinch weld.
- NOTE:** Insert 6mm Hex Bolts with STD Flat Washers through the back of the pinch weld first, and then out through the Bracket. **IMPORTANT:** The passenger side of the vehicle may have a wiring harness attached behind the pinch weld, **(Figure 7)**. Remove the hex nuts and drop the harness down before installing the Brackets, **(Figure 8)**. 6mm Hex Bolts install from the inside first, then through the Bracket to clear the harness, **(Figure 9)**. Snug but do not fully tighten hardware at this time.
- Repeat **Steps 1 – 4** to install the center and rear Brackets, **(Figure 9)**.

**VIEWPOINT ALUMINUM RUNNING BOARD
2011-14 JEEP GRAND CHEROKEE**

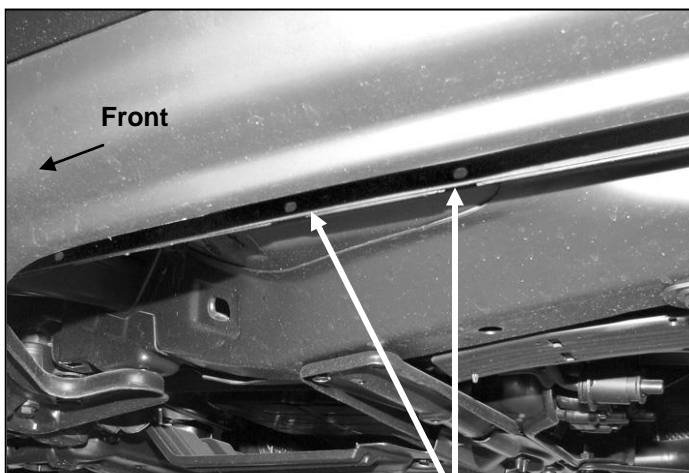
6. Select the driver/left side Running Board. Locate the openings cut at the end of the slots on the bottom of the Running Board, **(Figure 10)**. Insert (3) 6mm T-Bolts into each channel through the openings. Slide the T-Bolts into the approximate position in line with the (3) Brackets. Carefully place the Running Board in position on top of the Brackets. Slide the T-Bolts forward or back until they line up and drop into the slots on the Brackets. **NOTE:** It may be necessary to lower the Brackets to insert the Running Board. Loosen hardware as necessary.
7. Secure the Running Board to the Brackets with (6) 6mm x 22mm Large Flat Washers, (6) 6mm Lock Washers and (6) 6mm Hex Nuts, **(Figure 11)**. Do not tighten hardware at this time.
8. Adjust and level the Running Board and tighten all hardware.
9. Repeat **Steps 1 – 8** for passenger/right Running Board installation. See important information in **Step 4**.
10. Do periodic inspections to the installation to make sure that all hardware is secure and tight.

To protect your investment, wax this product after installing. Regular waxing is recommended to add a protective layer over the finish. Do not use any type of polish or wax that may contain abrasives that could damage the finish.

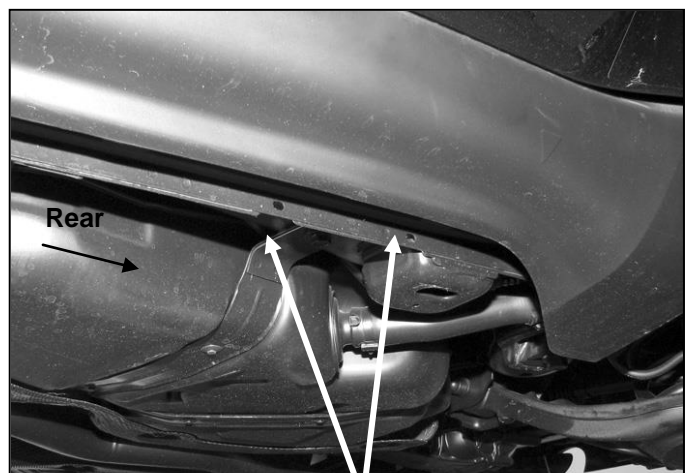
For stainless steel: Aluminum polish may be used to polish small scratches and scuffs on the finish. Mild soap may be used also to clean the Running Board.

For gloss black finishes: Mild soap may be used to clean the Running Board.

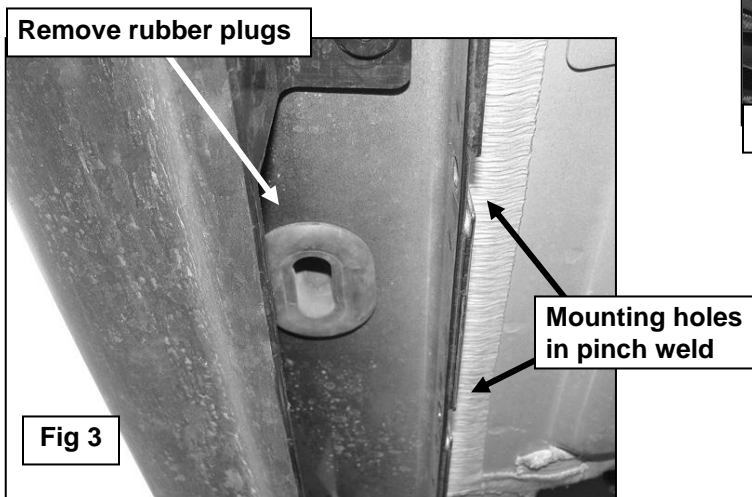
Driver Side Installation Pictured



(Fig 1) Driver side front mounting location pictured

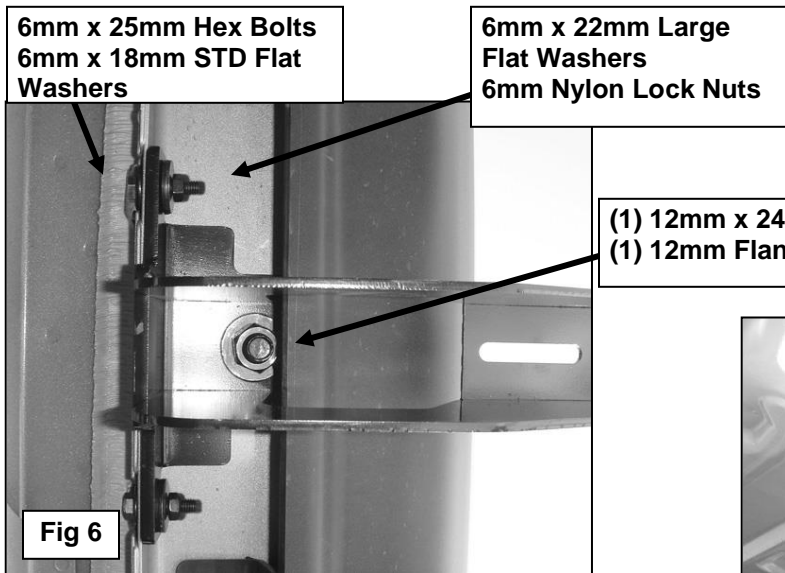
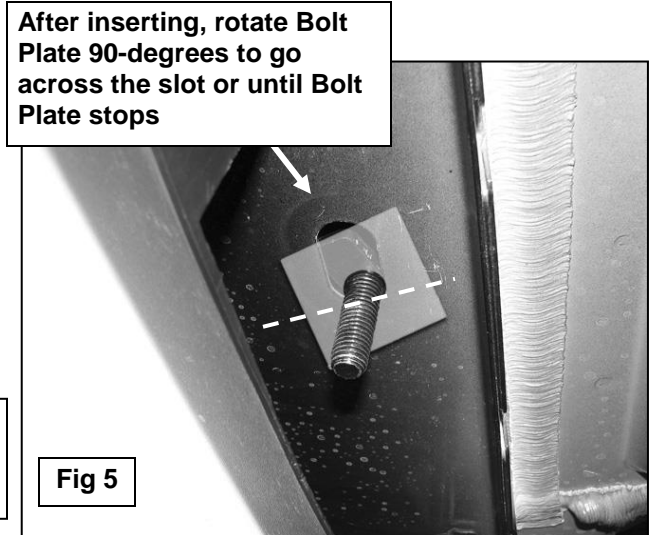
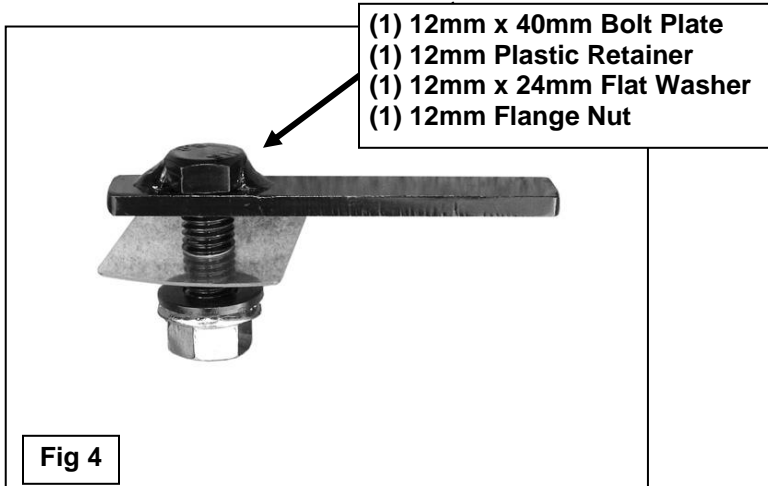


(Fig 2) Driver side rear mounting location pictured



**VIEWPOINT ALUMINUM RUNNING BOARD
2011-14 JEEP GRAND CHEROKEE**

Driver Side Installation Pictured

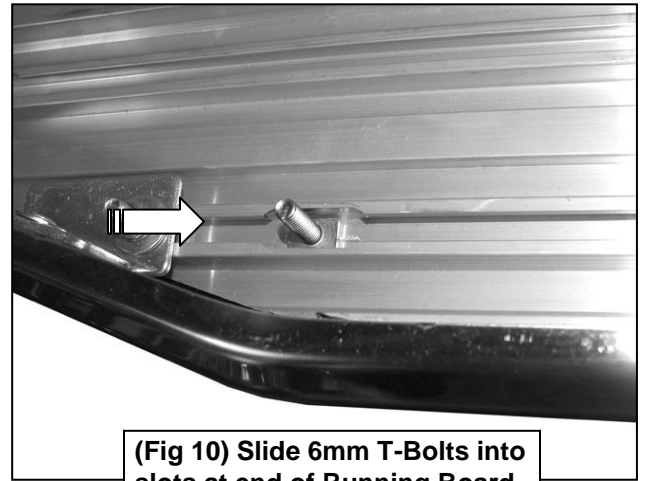
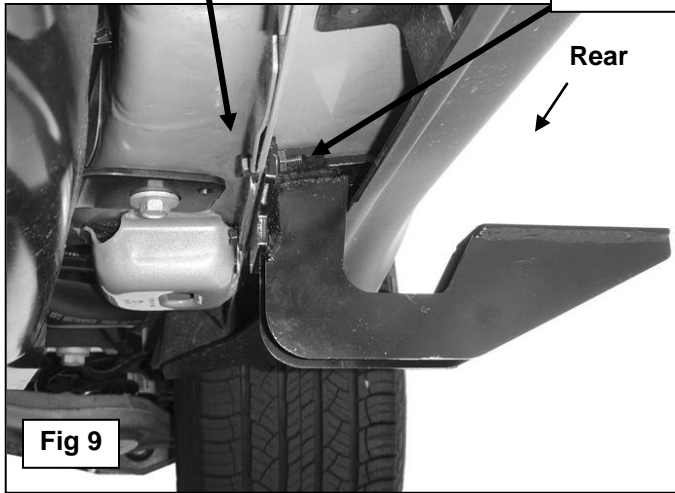


Remove hex nuts from wiring harness.
Drop harness down to install Brackets.

**VIEWPOINT ALUMINUM RUNNING BOARD
2011-14 JEEP GRAND CHEROKEE**

6mm x 25mm Hex Bolts
6mm x 18mm STD Flat Washers

6mm x 22mm Large Flat Washers
6mm Nylon Lock Nuts



6mm x 22mm Large Flat Washer
6mm Lock Washer
6mm Hex Nut

