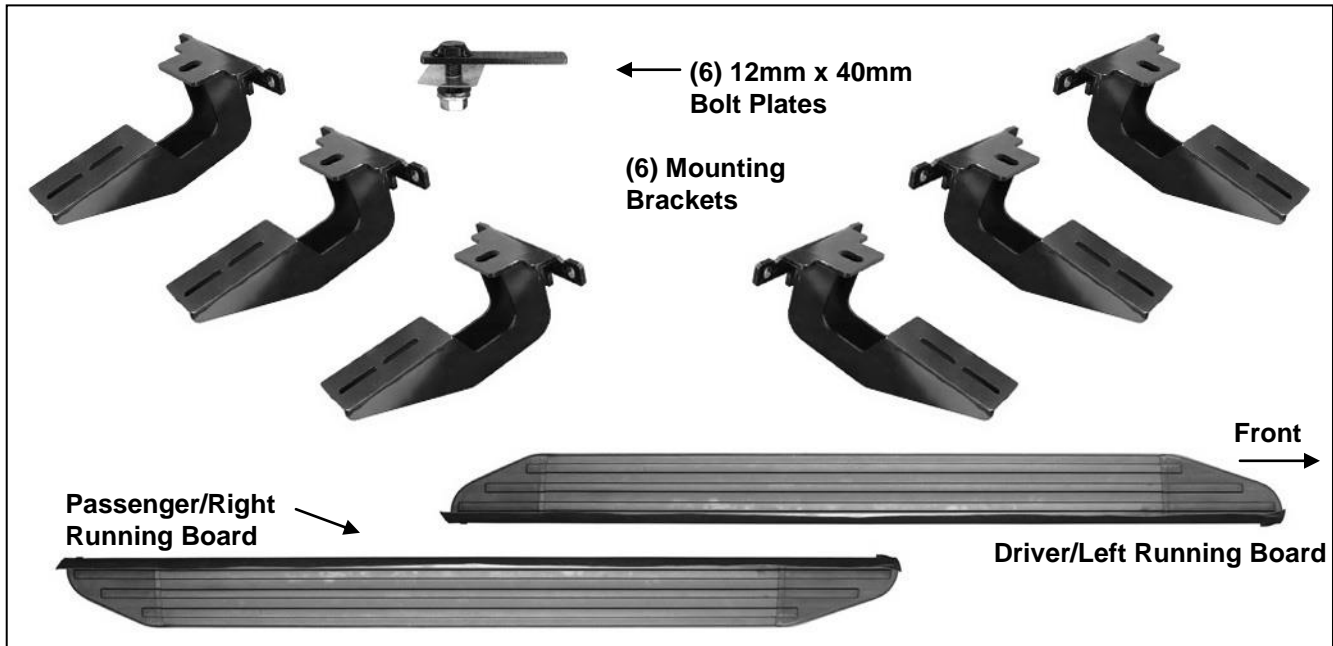


**VIEWPOINT ALUMINUM RUNNING BOARD
2011-13 DODGE DURANGO**

Parts List:

1	Driver/ Left Running Board	12	6mm "T" Bolts
1	Passenger/Right Running Board	12	6-1.0mm x 25mm Hex Bolts
6	Mounting Brackets	24	6mm x 22mm OD x 2mm Large Flat Washers
6	12-1.75mm x 40mm Bolt Plates	12	6mm x 18mm OD x 1.6mm STD Flat Washers
6	12mm Serrated Flange Nuts	12	6mm Lock Washers
6	12mm x 24mm OD x 2.5mm Flat Washers	12	6mm Hex Nuts
6	12mm Plastic Retainers	12	6mm Nylon Lock Nuts



PROCEDURE:

REMOVE CONTENTS FROM BOX. VERIFY ALL PARTS ARE PRESENT. READ INSTRUCTIONS CAREFULLY BEFORE STARTING INSTALLATION.

- Starting at the driver side, locate the (3) pairs of factory holes in the pinch weld, **(Figure 1 & 2)**. Move toward the front pair. Remove the rubber plug filling the oval hole in the bottom of the rocker panel in front of the two holes, **(Figure 3)**. Select (1) 12mm Bolt Plate and (1) 12mm Plastic Retainer. Partially thread the Retainer onto the Bolt Plate. Insert the Bolt Plate into the hole and rotate it 90-degrees to go across the slot, **(Figure 4)**. Thread the Retainer all the way down the Bolt Plate and tight against the body panel, **(Figure 5)**. **NOTE:** The Plastic Retainer is designed to prevent the Bolt Plate from falling into the body cavity and to aid in installing the Bracket.
- Select (1) Mounting Bracket and secure it to the Bolt Plate with (1) 12mm x 24mm Flat Washer and (1) 12mm Serrated Flange Nut, **(Figure 6)**. Do not tighten hardware at this time.
- Line up the (2) small slots in the Bracket with the (2) holes in the pinch weld. Bolt the Bracket to the outside of the pinch weld with (2) 6mm x 25mm Hex Bolts, (2) 6mm x 22mm Large Flat Washers, (outside against Bracket), (2) 6mm x 18mm STD Flat Washers, (inside against pinch weld), and (2) 6mm Nylon Lock Nuts, **(Figures 6 & 7)**. Do not tighten hardware at this time.
- Repeat **Steps 1 – 3** to install the center and rear Brackets, **(Figure 2)**.
- Select the driver/left side Running Board. Locate the openings cut at the end of the slots on the bottom of the Running Board, **(Figure 8)**. Insert (3) 6mm T-Bolts into each channel through the openings. Slide the T-Bolts into the approximate position in line with the (3) Brackets. Carefully place the Running Board in position on top of the Brackets. Slide the T-Bolts forward or back until they line up and drop into the slots on the Brackets. Secure the Running Board to the Brackets with (6) 6mm x 22mm Large

**VIEWPOINT ALUMINUM RUNNING BOARD
2011-13 DODGE DURANGO**

Flat Washers, (6) 6mm Lock Washers and (6) 6mm Hex Nuts, (**Figure 9**). Do not tighten hardware at this time.

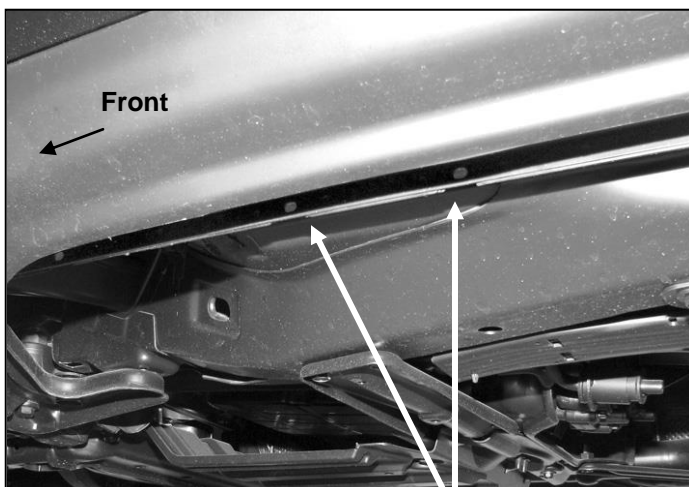
6. Adjust and level the Running Board and tighten all hardware.
7. Repeat **Steps 1 – 6** for passenger/right Running Board installation.
8. Do periodic inspections to the installation to make sure that all hardware is secure and tight.

To protect your investment, wax this product after installing. Regular waxing is recommended to add a protective layer over the finish. Do not use any type of polish or wax that may contain abrasives that could damage the finish.

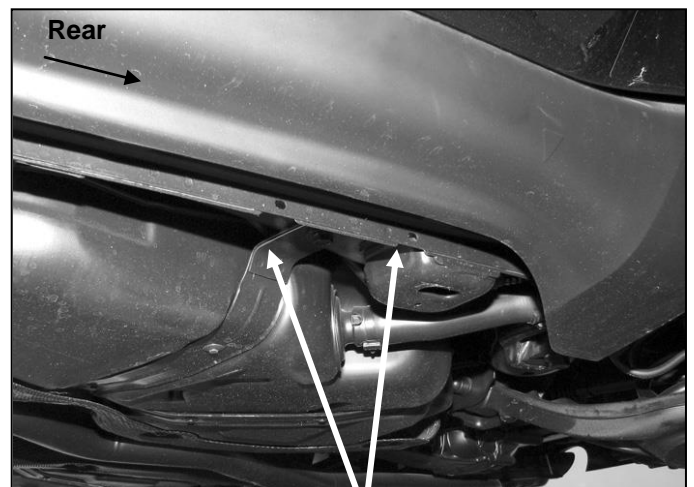
For stainless steel: Aluminum polish may be used to polish small scratches and scuffs on the finish. Mild soap may be used also to clean the Running Board.

For gloss black finishes: Mild soap may be used to clean the Running Board.

Driver Side Installation Pictured



(Fig 1) Driver side front mounting location pictured



(Fig 2) Driver side rear mounting location pictured

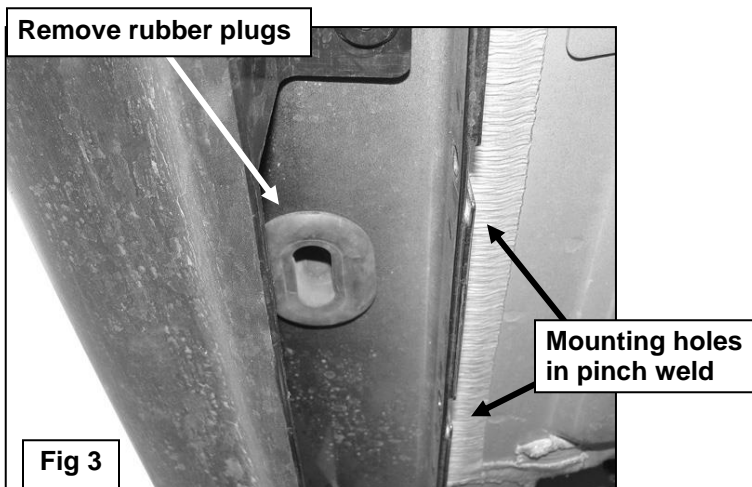


Fig 3

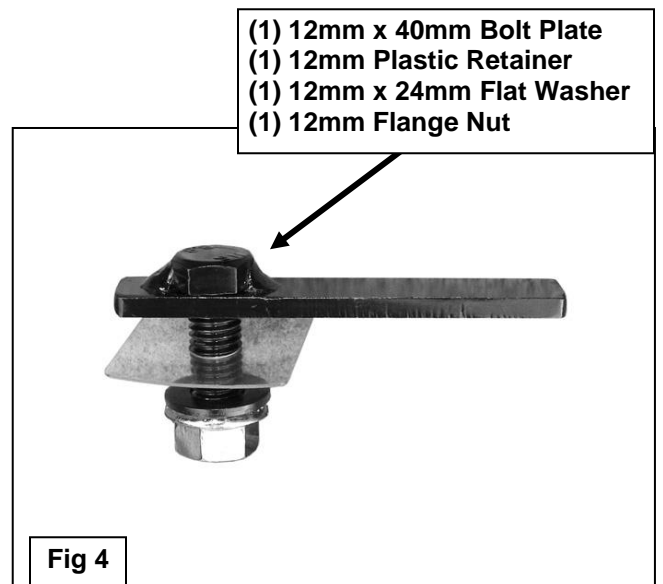
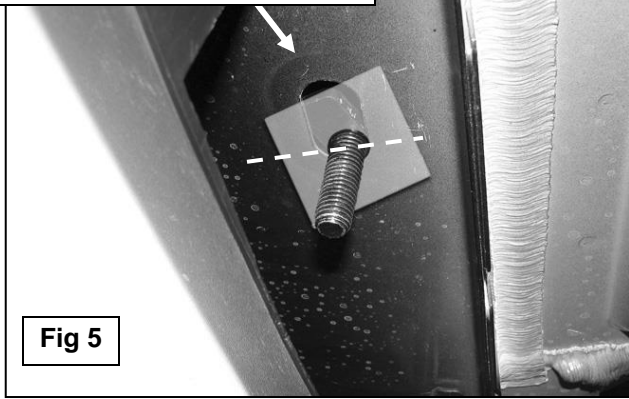


Fig 4

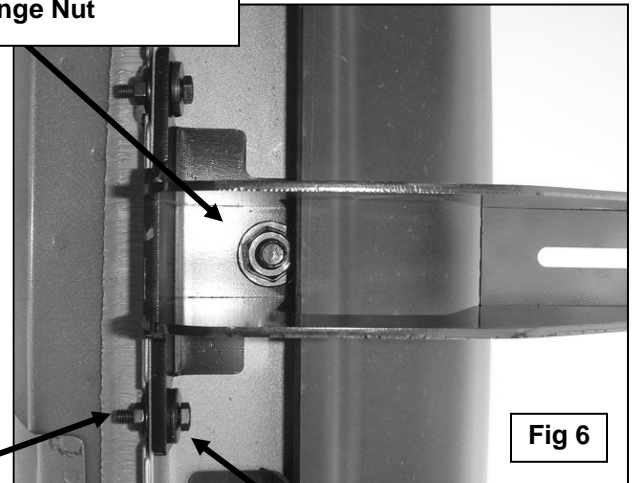
**VIEWPOINT ALUMINUM RUNNING BOARD
2011-13 DODGE DURANGO**

Driver Side Installation Pictured

After inserting, rotate Bolt Plate 90-degrees to go across the slot or until Bolt Plate stops

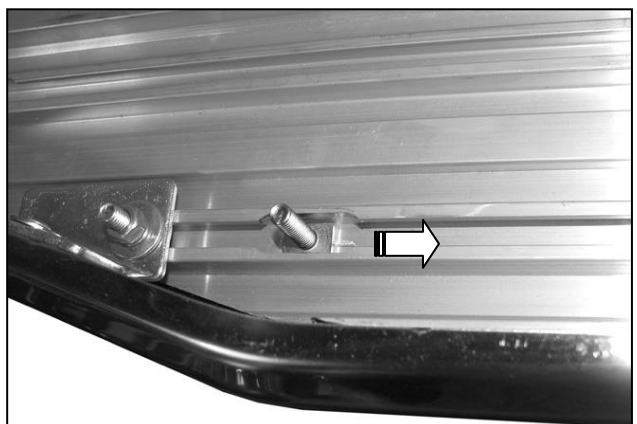
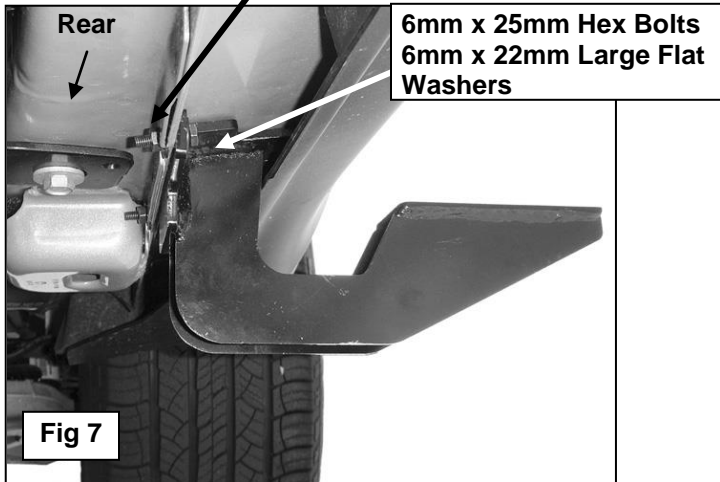


(1) 12mm x 24mm Flat Washer
(1) 12mm Flange Nut



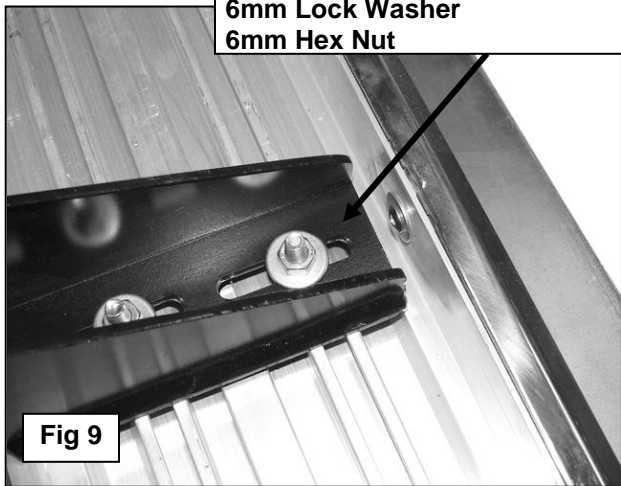
6mm x 18mm STD Flat Washers
6mm Nylon Lock Nuts

6mm x 25mm Hex Bolts
6mm x 22mm Large Flat Washers
Pictured from below



(Fig 8) Slide 6mm T-Bolts into slots at end of Running Board

6mm x 22mm Large Flat Washer
6mm Lock Washer
6mm Hex Nut



Complete Installation