

#### PARTS LIST:

1	Driver/Left Bed Rail	2	10mm x 25mm Hex Bolts
1	Passenger/Right Bed Rail	6	10mm Lock Washers
2	80mm Rectangular Threaded Brackets	2	10mm x 34mm x 3mm Flat Washers
2	50mm Parallelogram Threaded Bracket	4	10mm x 20mm OD x 1.5mm Small S/Steel Flat Washers
2	10mm Double Nut Plates	1	Allen Wrench
4	10-1.50mm x 50mm Allen Head Bolts		

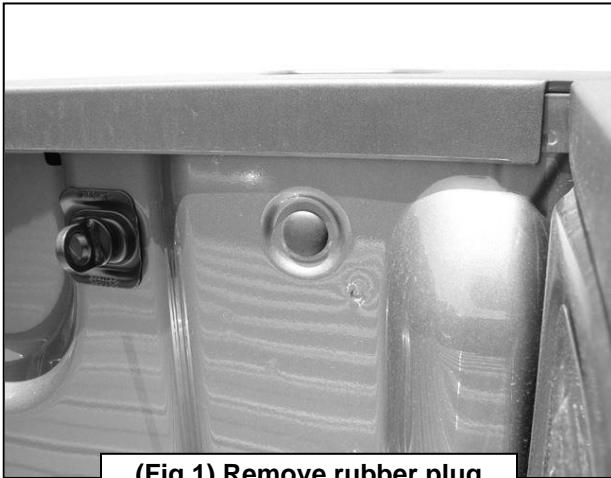
#### PROCEDURE:

- REMOVE CONTENTS FROM BOX. VERIFY ALL PARTS ARE PRESENT. READ INSTRUCTIONS CAREFULLY BEFORE STARTING INSTALLATION. CUTTING MAY BE REQUIRED. VERIFY BEDRAIL IS CORRECT LENGTH TO COVER BOTH STAKE POCKETS BEFORE CUTTING BEDSIDE COVERS!**
- Start installation at the passenger side rear stake pocket, **(Figure 1)**. Select (1) 10mm Double Nut Bracket, **(Figure 2A)**. Remove the rubber plug in the side of the stake pocket. Insert the Bracket into the large rear stake pocket. Bolt the lower end of the Bracket to the hole in the side of the stake pocket with (1) 10mm x 25mm Hex Bolt, (1) 10mm Lock Washer and (1) 10mm x 34mm Large Flat Washer, **(Figure 2B)**. Snug but do not fully tighten hardware.
- Move to the front stake pocket. Carefully cut along the factory lines molded into the plastic cover, **(Figure 3)**. **IMPORTANT:** The factory lines may not represent the correct location or size of the stake pocket and may be larger than the actual stake pocket opening. **Be very careful** cutting through the plastic cover to avoid damage to the top of the bed.
- Select the passenger/right side Bed Rail. Insert (1) 10mm x 50mm Button Head Allen Bolt, (1) 10mm Lock Washer and (1) 10mm Small Flat Washer through the front mounting plate and into (1) Threaded Plate as illustrated in **Figure 4**. **NOTE:** Two types of Threaded Plates are included in the kit, **(Figures 6A & 6B)**. Use the largest Plate possible to fit across the inside of the stake pocket. Leave hardware loose at this time.
- With the hardware loose in the front mounting plate, carefully position the Bed Rail onto the top of the bed. Tilt the Bolt and/or Bedrail side to side to slide the Threaded Plate into and under the lip on both sides of the steel part of the stake pocket, **(Figure 5)**. Use the largest Plate possible to fit across the inside of the stake pocket, **(Figures 6A & 6B)**. Snug but do not tighten hardware at this time.
- Move to the rear location. Line up the hole in the mounting plate on the Bed Rail with the 10mm Nut Plate Bracket inside the stake pocket, **(see Step 2, Fig. 2B)**. Secure the Bed Rail to the Bracket with (1) 10mm x 50mm Button Head Allen Bolt, (1) 10mm Lock Washer and (1) 10mm Small Flat Washer, **(Figure 7)**. Do not tighten hardware at this time.
- Line up the front and rear of the Bed Rail with the top of the bed and tighten all hardware. To tighten the front mounting position, pull up on the Bed Rail to hold the Threaded Plate in place and centered across the pocket. Keep pulling up on the Bed Rail to prevent the Plate from moving/rotating while tightening the 10mm mounting bolt, **(Figure 6A & 6B)**.
- Repeat **Steps 2 – 7** for driver side Bed Rail installation.
- Do periodic inspections to the installation to make sure that all hardware is secure and tight.

**To protect your investment**, wax this product after installing. Regular waxing is recommended to add a protective layer over the finish. Do not use any type of polish or wax that may contain abrasives that could damage the finish.

**For stainless steel:** Aluminum polish may be used to polish small scratches and scuffs on the finish. Mild soap may be used also to clean the Bed Rails.

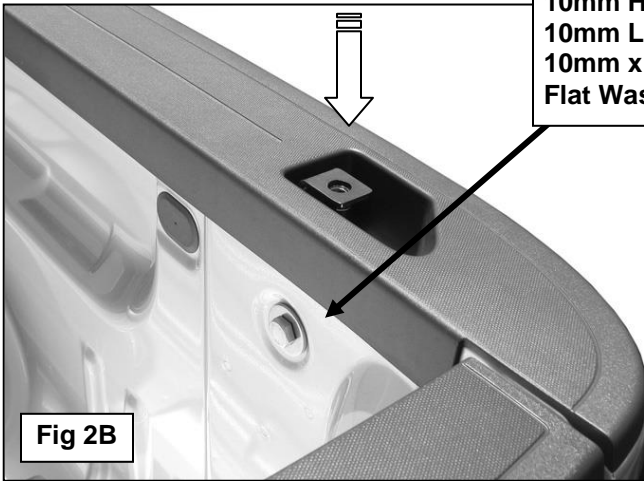
**BOLT-ON BED RAIL**  
**2014 SILVERADO 1500 6-1/2FT "STANDARD" BED**  
**Passenger Side Installation Pictured**



**(Fig 1) Remove rubber plug from side of rear stake pocket**

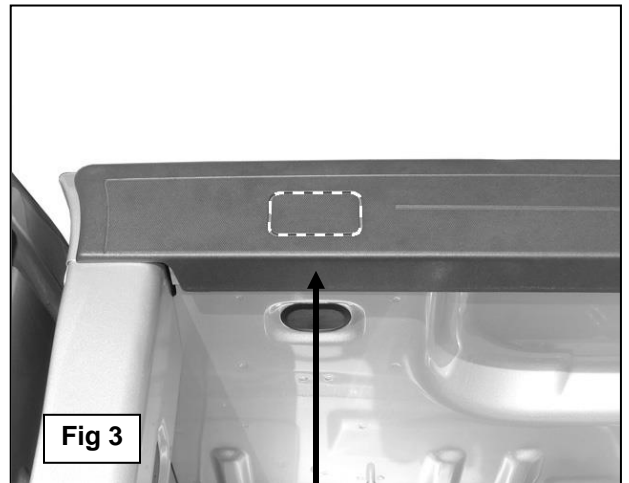


**Fig 2A**



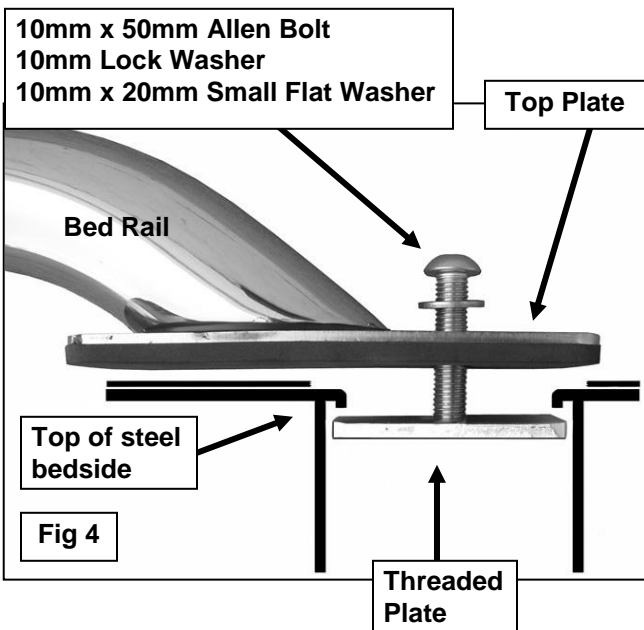
**10mm Hex Bolt  
 10mm Lock Washer  
 10mm x 34mm Large Flat Washer**

**Fig 2B**



**Fig 3**

**Follow the factory guide lines to cut out the cover over the front stake pocket. The guide lines in the cover may not represent the actual size of the stake pocket. Be very careful cutting through the plastic cover to avoid damage to the top of the bed.**



**10mm x 50mm Allen Bolt  
 10mm Lock Washer  
 10mm x 20mm Small Flat Washer**

**Top Plate**

**Bed Rail**

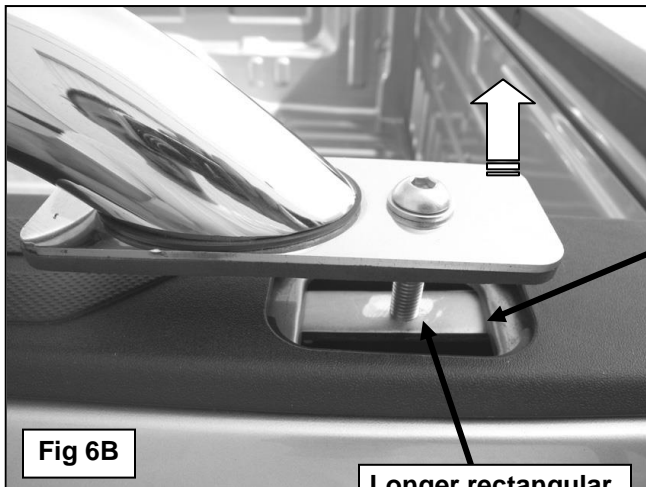
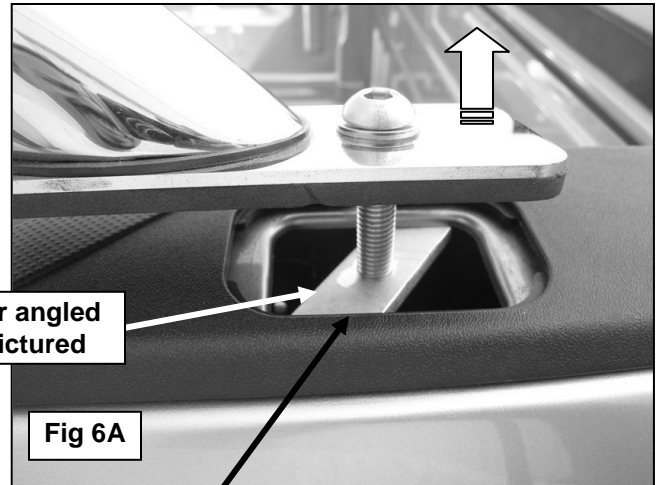
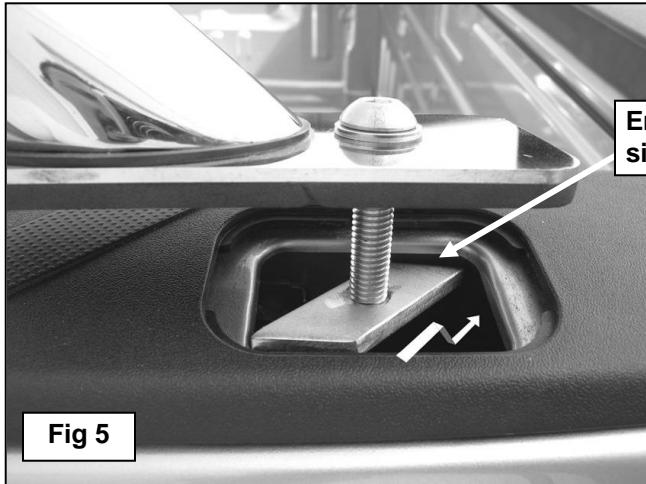
**Top of steel bedside**

**Fig 4**

**Threaded Plate**

**Thin black line represents plastic bed cover**

**BOLT-ON BED RAIL**  
**2014 SILVERADO 1500 6-1/2FT "STANDARD" BED**



**Pull up on Bedrail as you slowly tighten the mounting screw to hold the threaded plate in place against inside of stake pocket**

**10mm x 50mm Allen Bolt  
10mm Lock Washer  
10mm x 20mm Small Flat Washer**

