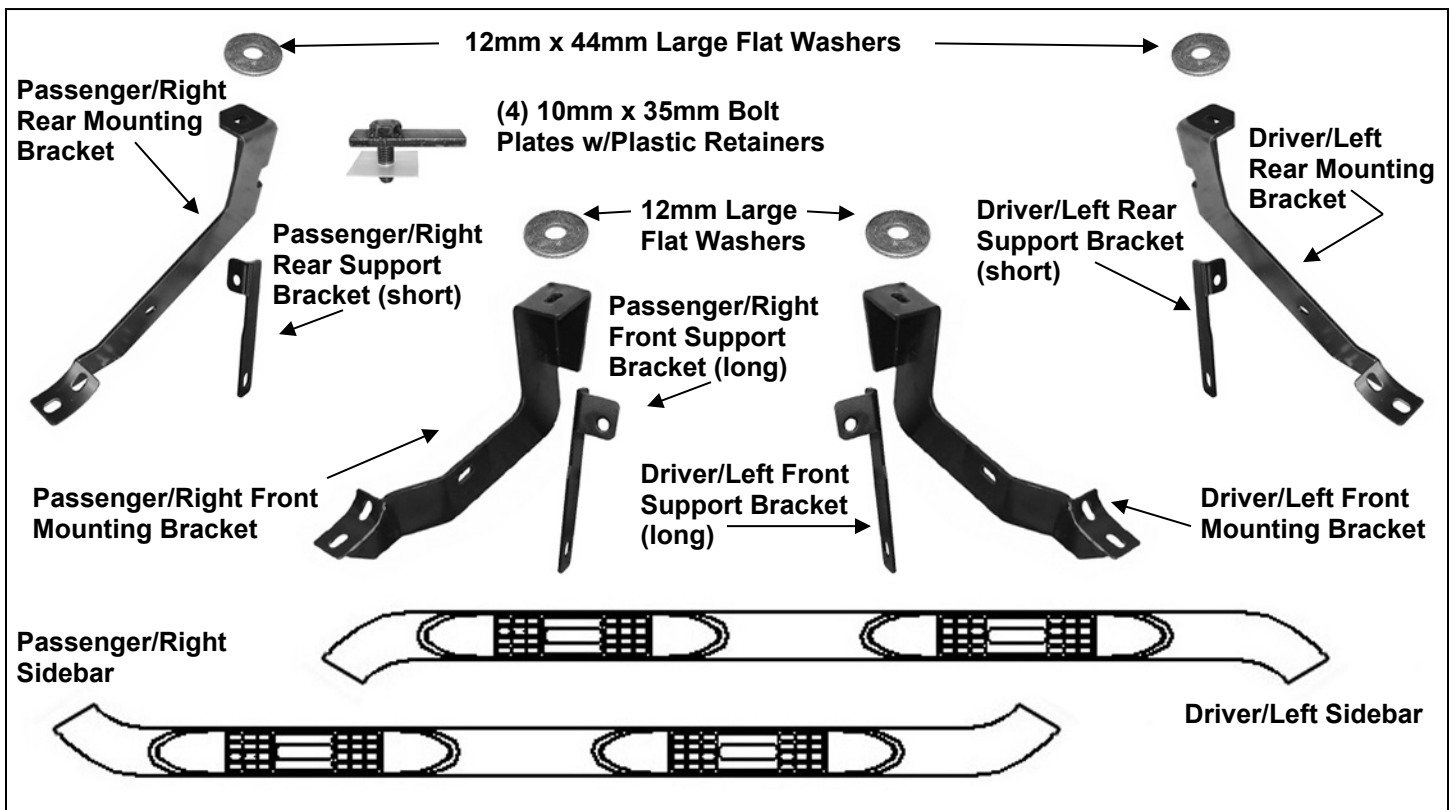


PARTS LIST:

1	Driver Sidebar	4	10mm x 35mm Bolt Plates
1	Passenger/Right Sidebar	4	12-1.75mm x 120mm Gr.10.9 Hex Bolts
1	Driver/Left Front Mounting Bracket	4	12mm x 32mm OD x 3mm Flat Washers
1	Passenger/Right Front Mounting Bracket	4	12mm Lock Washers
1	Driver/Left Rear Mounting Bracket	4	10-1.5mm x 30mm Hex Bolts
1	Passenger/Right Rear Mounting Bracket	12	10mm x 30mm OD x 2.5mm Flat Washers
1	Driver/Left Front Support Bracket	8	10mm Lock Washers
1	Passenger/Right Front Support Bracket	8	10mm Hex Nuts
1	Driver/Left Rear Support Bracket	8	8-1.25mm x 25mm Hex Bolts
1	Passenger/Right Rear Support Bracket	8	8mm Lock Washers
4	12mm x 44mmOD x 4mm Large Flat Washers	8	8mm x 24mm OD x 2mm Flat Washers
4	10mm Plastic Retainers		



PROCEDURE:

1. REMOVE CONTENTS FROM BOX. VERIFY ALL PARTS ARE PRESENT. READ INSTRUCTIONS CAREFULLY BEFORE STARTING INSTALLATION.
2. Starting toward the front of the passenger side, remove the factory front body mount bolt and washer, **(Figure 1)**. Remove but do not discard the factory rubber bushing from the factory bolt.
3. Select the passenger side front Mounting Bracket, **(Figure 2)**. Insert (1) 12-1.75mm x 120mm Hex Bolt with (1) 12mm ID x 32mm OD x 3mm Flat Washer and (1) 12mm Lock Washer through the Mounting Bracket. Place (1) 12mm Large Flat Washer onto the 12mm Hex Bolt and Bracket, **(Figure 3)**. Slide the rubber bushing onto the Hex Bolt and over the Washer. Make sure that the Large Washer is between the Mounting Bracket and the factory rubber bushing, **(Figure 2)**. Bolt the Bracket to the body mount with the supplied or factory hardware. Snug but do not tighten hardware at this time. **IMPORTANT:** On 05 and newer model years, the large washer on the factory body mount bolt is removable, (do not

discard-can reinstall), and the bolt is long enough to go through the Mounting Bracket and properly thread into the body mount. It is the installer's responsibility to check length and to determine whether to use the factory or supplied replacement hardware.

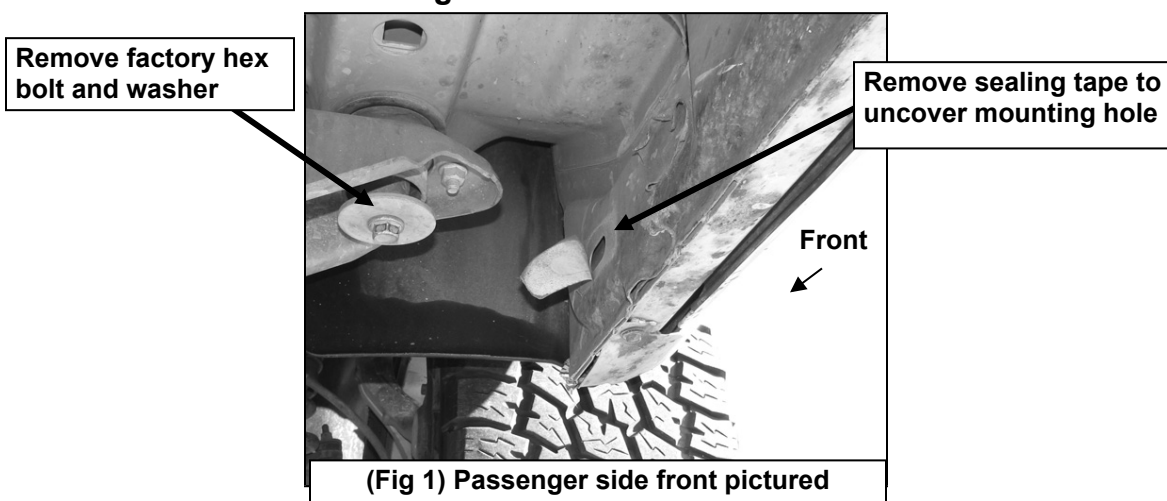
4. Remove the tape covering the factory hole in the back side of the rocker panel near the Mounting Bracket, **(Figure 1)**. Thread (1) Plastic Retainer part way onto (1) 10mm x 35mm Bolt Plate, **(Figure 4A)**. Insert the Bolt Plate into the factory hole in the rocker panel, **(Figure 4B)**. Hold the Bolt Plate in place with one hand and continue to thread the Plastic Retainer down against the sheetmetal until it holds the Bolt Plate in place, **(Figure 4B)**. **IMPORTANT:** The Plastic Retainer is designed to prevent the Bolt Plate from falling into the body cavity and to aid Bracket installation.
5. Locate the long passenger side front Support Bracket and attach it to the Bolt Plate with (1) 10mm Flat Washer, (1) 10mm Lock Washer and (1) 10mm Hex Nut, **(Figures 5 & 6)**. **NOTE:** Place Support Bracket against the front facing side of the Mounting Bracket with the bent tab facing towards the **front** of the vehicle. Snug but do not tighten hardware at this time.
6. Attach the lower end of the front Support Bracket to the front of the Mounting Bracket with (1) 10mm x 30mm Hex Bolt, (1) 10mm Lock Washer, (2) 10mm Flat Washers and (1) 10mm Hex Nut, **(Figure 6)**. Do not tighten hardware at this time.
7. Next, move to the rear Mounting Bracket location. Install the rear mounting bracket as previously described in **Step 3**, **(see Figures 7 & 8)**. Do not tighten hardware at this time.
8. Remove the tape covering the hole in the inner rocker panel and install (1) Bolt Plate as described in **Step 4**, **(see Figures 7 & 8)**. Select the short passenger side rear Support Bracket and attach it to the Bolt Plate with (1) 10mm Flat Washer, (1) 10mm Lock Washer and (1) 10mm Hex Nut, **(Figures 5 & 9)**. **NOTE:** Place Support Bracket against the front facing side of the Mounting Bracket with the bent tab facing towards the **rear** of the vehicle. Repeat **Step 6** to attach the lower end of the Support Bracket to the Mounting Bracket, **(Figure 9)**. Snug but do not tighten hardware at this time
9. With assistance, carefully position the passenger Sidebar onto the Mounting Brackets. Partially attach the Sidebar to the front and rear Mounting Brackets with the included (4) 8mm x 25mm Hex Bolts, (4) 8mm Lock Washers and (4) 8mm Flat Washers, **(Figure 10)**. Do not tighten hardware at this time.
10. Properly level and adjust the Sidebar and tighten all hardware at this time.
11. Repeat **Steps 2 - 10** for the driver/left Sidebar installation.
12. Do periodic inspections to the installation to make sure that all hardware is secure and tight.

To protect your investment, wax this product after installing. Regular waxing is recommended to add a protective layer over the finish. Do not use any type of polish or wax that may contain abrasives that could damage the finish.

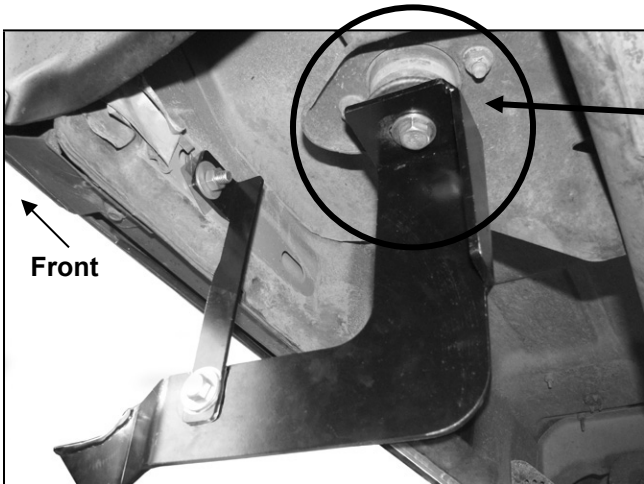
For stainless steel: Aluminum polish may be used to polish small scratches and scuffs on the finish. Mild soap may be used also to clean the Sidebar.

For gloss black finishes: Mild soap may be used to clean the Sidebar.

Passenger Side Installation Pictured



Passenger Side Installation Pictured



(Fig 2) Passenger side front Bracket pictured



Fig 3

IMPORTANT: Insert (1) 12mm x 44mm Large Flat Washer between each front and rear Mounting Bracket and factory rubber bushing

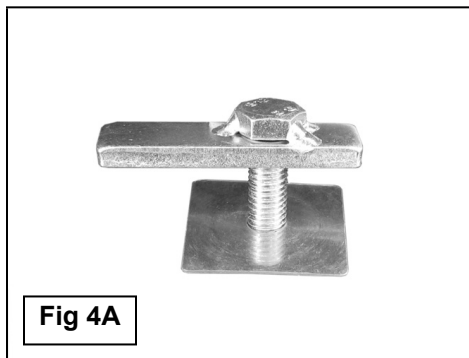
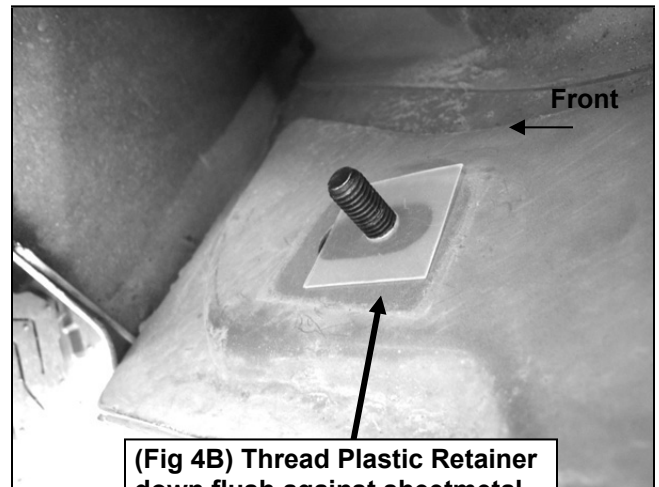


Fig 4A



(Fig 4B) Thread Plastic Retainer down flush against sheetmetal

Passenger side rear support bracket (short)

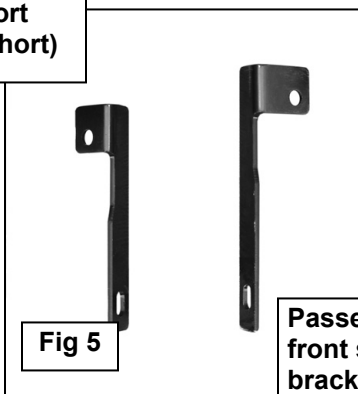


Fig 5

Passenger side front support bracket (long)

10mm Flat Washer
10mm Lock Washer
10mm Hex Nut

10mm x 30mm Hex Bolt
(2)10mm Flat Washers
10mm Lock Washer
10mm Hex Nut

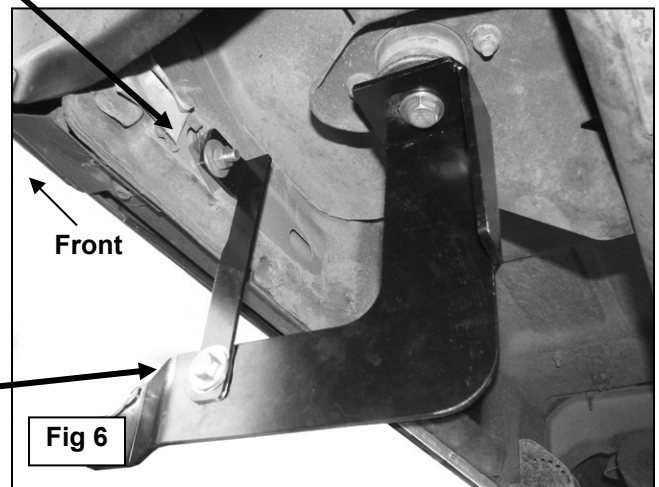


Fig 6

Passenger side installation pictured

Remove sealing tape to uncover mounting hole

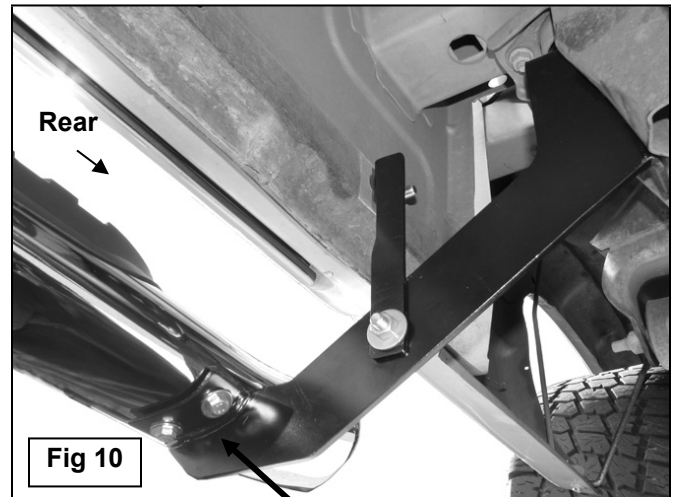
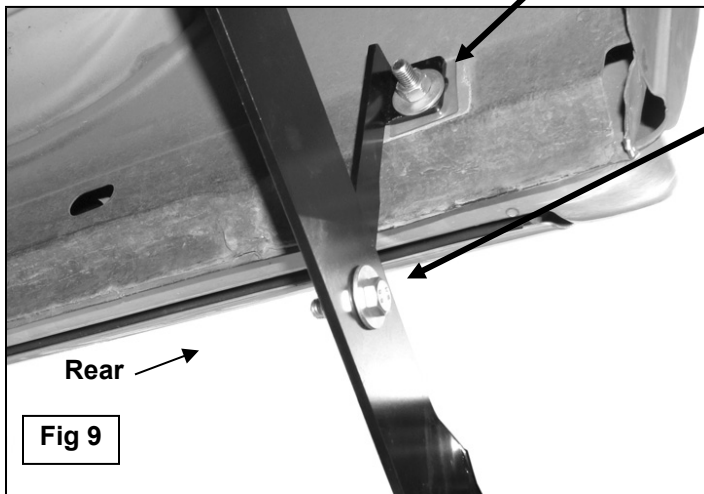


10mm Flat Washer
10mm Lock Washer
10mm Hex Nut

IMPORTANT: Insert (1) Steel Spacer between each front and rear Mounting Bracket and factory rubber bushing (passenger side rear Mounting Bracket pictured)



10mm x 30mm Hex Bolt
(2)10mm Flat Washers
10mm Lock Washer
10mm Hex Nut



8mm x 25mm Hex Bolts
8mm Lock Washers
8mm Flat Washers

