

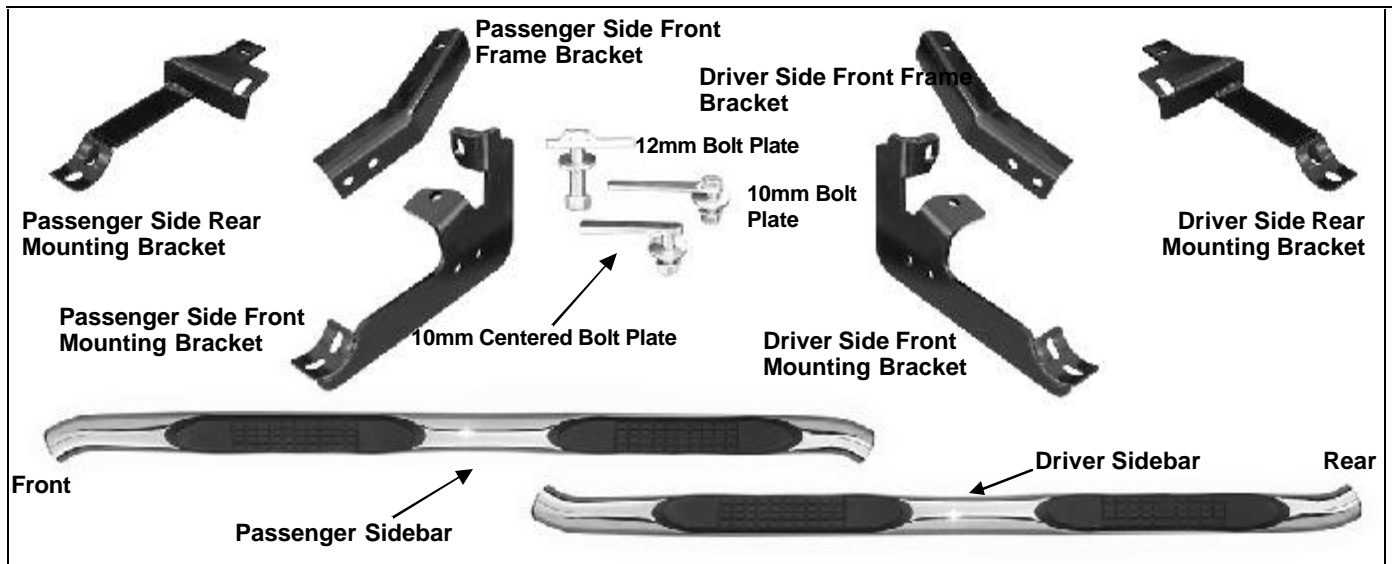
INSTALLATION INSTRUCTIONS

SIDEBAR (Round & Oval Straight)

2009 – 2010 HONDA PILOT

PARTS LIST:

1	Driver/Left Sidebar	2	12mm Lock Washers
1	Passenger/Right Sidebar	2	12mm x 24mm OD x 2.5mm Flat Washers
1	Driver/Left Front Mounting Bracket	2	12mm Hex Nuts
1	Passenger/Right Front Mounting Bracket	4	10mm x 35mm Hex Bolts
1	Driver/Left Front Frame Bracket	12	10mm x 27mm OD x 3mm Flat Washers
1	Passenger/Right Front Frame Bracket	8	10mm Lock Washers
1	Driver/Left Rear Mounting Bracket	8	10mm Hex Nuts
1	Passenger/Right Rear Mounting Bracket	12	8mm x 25mm Hex Bolts
2	12mm x 50mm Bolt Plates	12	8mm Lock Washers
2	10mm x 40mm Centered Bolt Plates (rounded end)	8	8mm x 24mm x 2mm Flat Washers
2	10mm x 40mm Bolt Plates (square end)	4	8mm x 28mm OD x 3mm Flat washers



PROCEDURE:

- 1. REMOVE CONTENTS FROM BOX. VERIFY ALL PARTS ARE PRESENT. READ INSTRUCTIONS CAREFULLY BEFORE STARTING INSTALLATION.**
- Starting on the driver side front of the vehicle, locate the round hole on the bottom of the inner frame channel. Insert the 10mm Square End Bolt Plate into the hole and rotate clock-wise 90-degrees or until it stops turning, **(Figure 1)**.
- Next, locate the two threaded holes, one located on the bottom of the floor, the other located on the side of the inner well. Position the driver side Front Mounting Brackets up to vehicle. Hang the mount from the two holes using the provided (2) 8mm x 25mm Hex Bolts, (2) 8mm x 28mm x 3mm thick Flat Washers and (2) 8mm Lock Washers. Snug but do not tighten at this time, **(Figure 2)**.

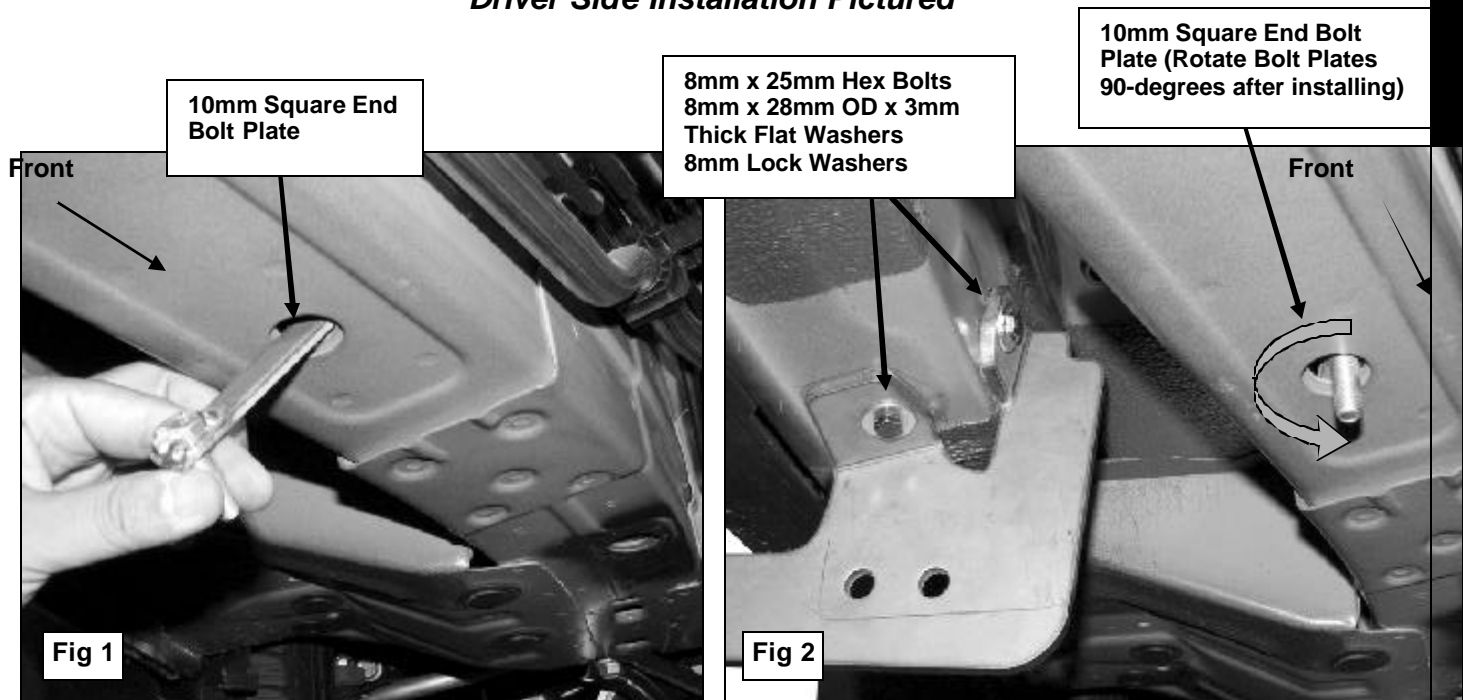
4. Determine the driver side Front Frame Bracket from the illustration on Page 1. Line up the two holes in the bracket with the Front Mounting Bracket and bolt together with (2) 10mm x 35mm Hex Bolts, (4) 10mm Flat Washers, (2) 10mm Lock Washers and (2) 10mm Hex Nuts. Next, hang the Support Bracket from the previously installed Bolt Plate using (1) 10mm Flat Washer, (1) 10mm Lock Washer and (1) Hex Nut, **(Figure 3)**. Snug but do not tighten at this time.
5. Next, move to the driver/left rear of the vehicle. Insert the 12mm Bolt Plate into the oval hole located on the bottom of the frame channel and rotate 90-degrees, **(Figure 4)**. Next insert the 10mm Centered Round End Bolt Plate into the round hole located on the bottom of the body next to the pinch weld. Rotate the Bolt Plate 90-degrees or until it stops turning. Determine the driver/left rear mounting bracket from the illustration on Page 1 and hang it from the two bolt plates using (1) 12mm Flat Washer, (1) 12mm Lock Washer (1) 12mm Hex Nut, (1) 10mm Flat Washer, (1) 10mm Lock Washer and (1) 10mm Hex Nut.
6. Carefully position the driver Sidebar onto the Mounting Brackets and attach it using the included (4) 8mm x 25mm Hex Head Bolts, (4) 8mm Lock Washers, and (4) 8mm x 24mm OD x 2mm Standard Flat Washers **(Figure 5)**. Snug but do not tighten.
7. Align Sidebar properly, and then tighten all hardware.
8. Repeat steps 2 - 8 for the passenger Sidebar.
9. Do periodic inspections to the installation to make sure that all hardware is secure and tight.

To protect your investment wax this product after installing. Regular waxing is recommended to add a protective layer over the finish. Do not use any type of polish or wax that may contain abrasives that could damage the finish.

For stainless steel: Aluminum polish may be used to polish small scratches and scuffs on the finish. Mild soap may be used also to clean the Sidebar.

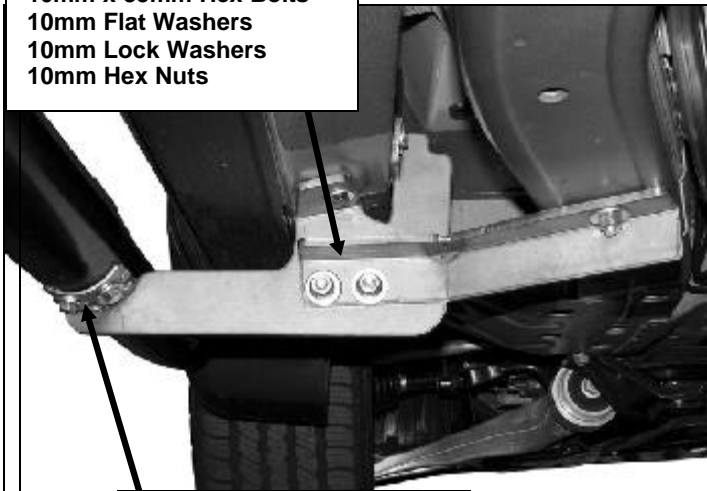
For gloss black finishes: Mild soap may be used to clean Sidebar.

Driver Side Installation Pictured



Driver Side Installation Pictured

10mm x 35mm Hex Bolts
10mm Flat Washers
10mm Lock Washers
10mm Hex Nuts



10mm Centered Round
End Bolt Plate
(Rotate both 90-degrees
after installing)

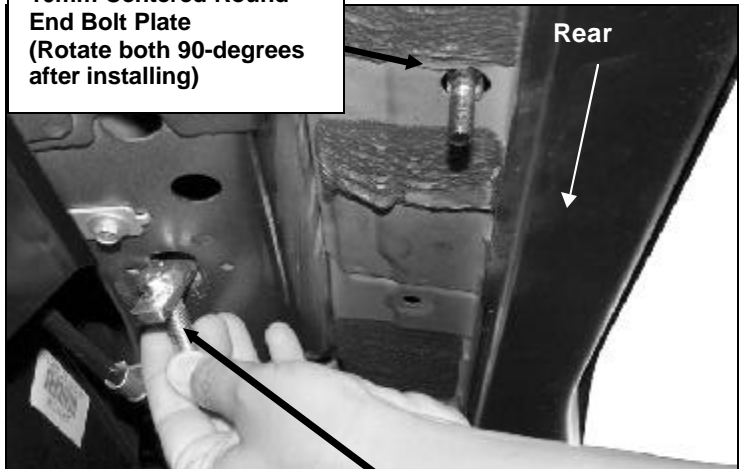


Fig 3

8mm x 25mm Hex Bolts
8mm x 24mm OD x 2mm
Standard Flat Washers
8mm Lock Washers

Fig 4

12mm Bolt Plate
(Rotate both 90-degrees after
installing)



Fig 5

8mm x 25mm Hex Bolts
8mm x 24mm OD x 2mm
Standard Flat Washers
8mm Lock Washers

